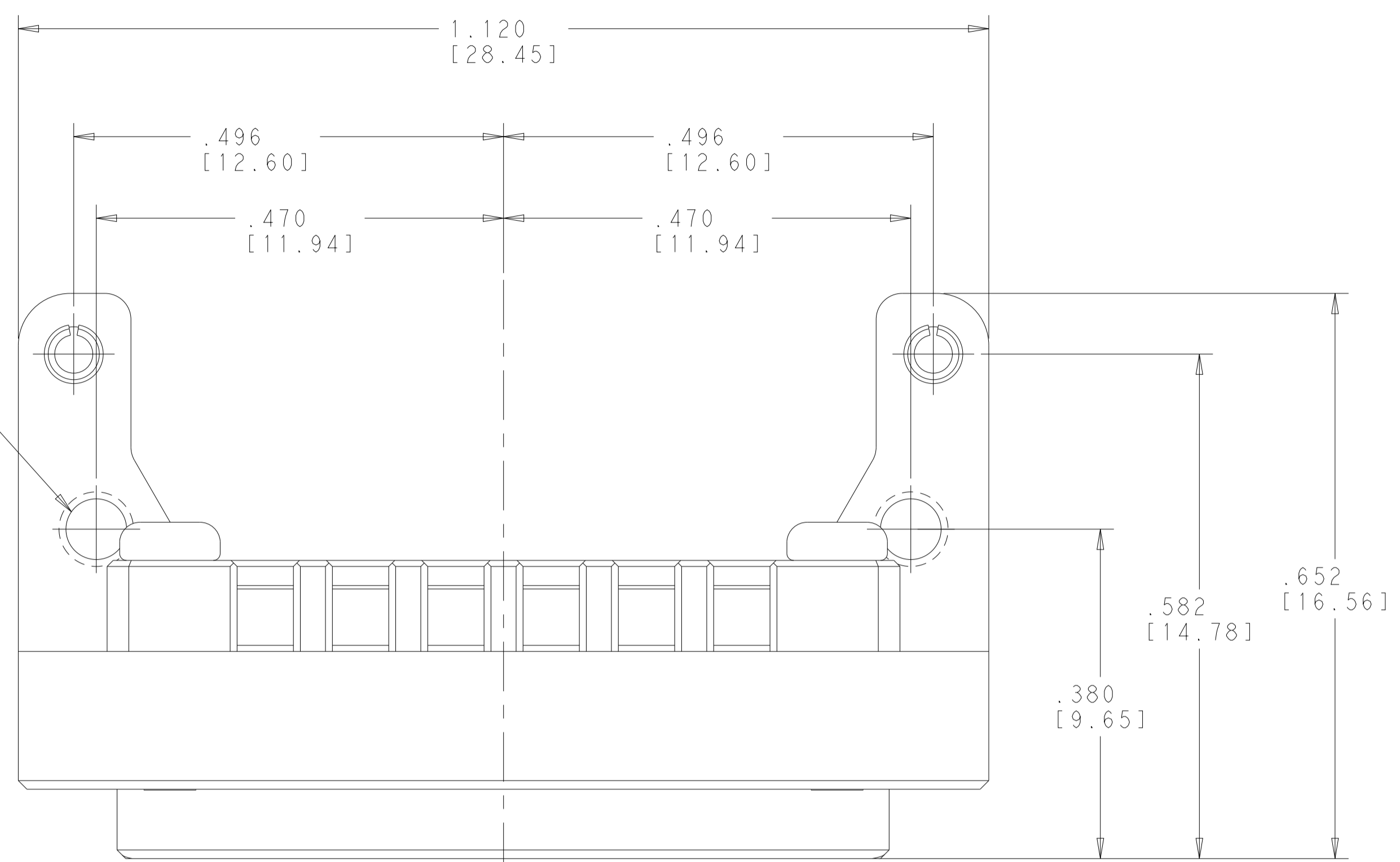
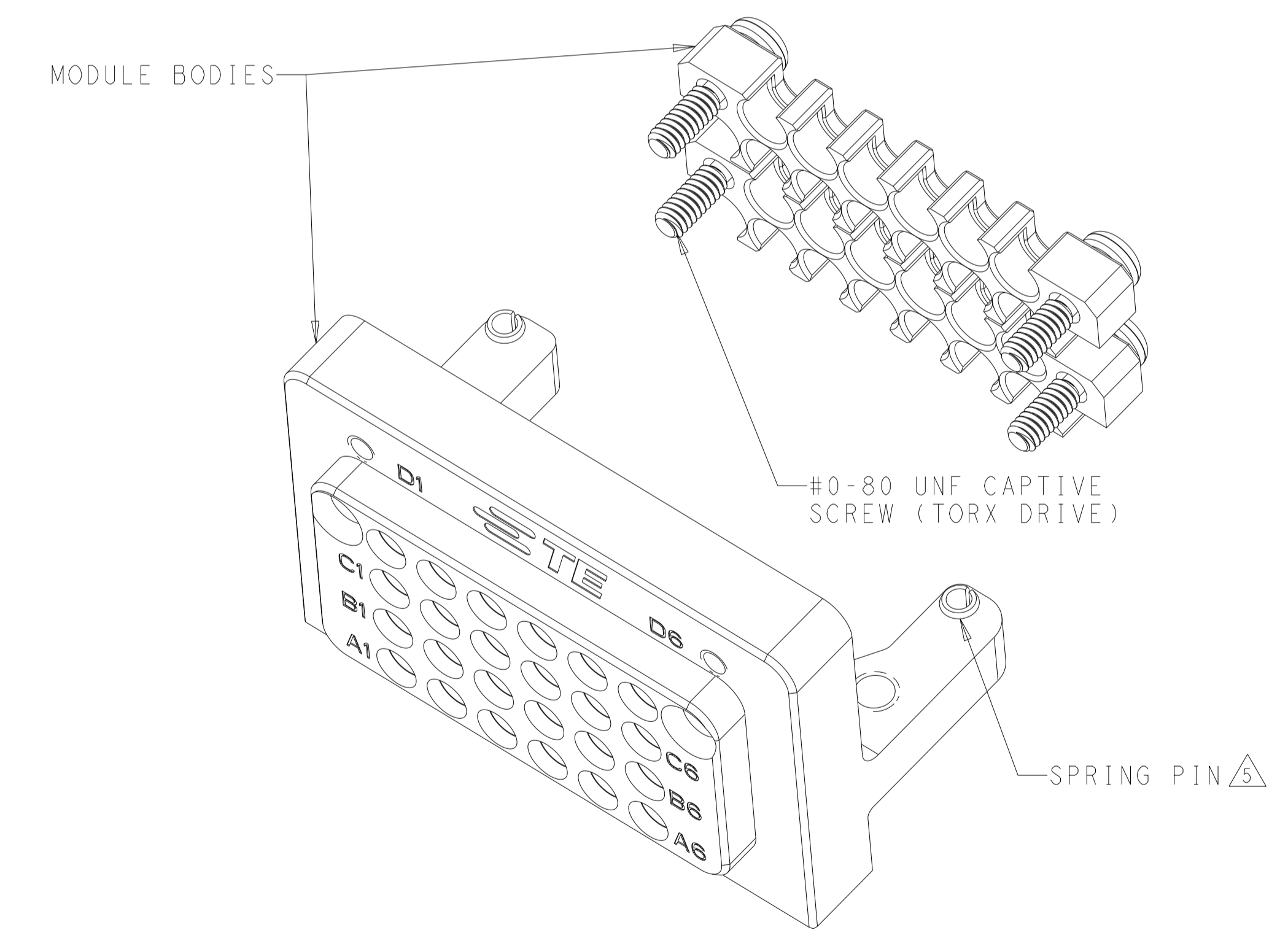
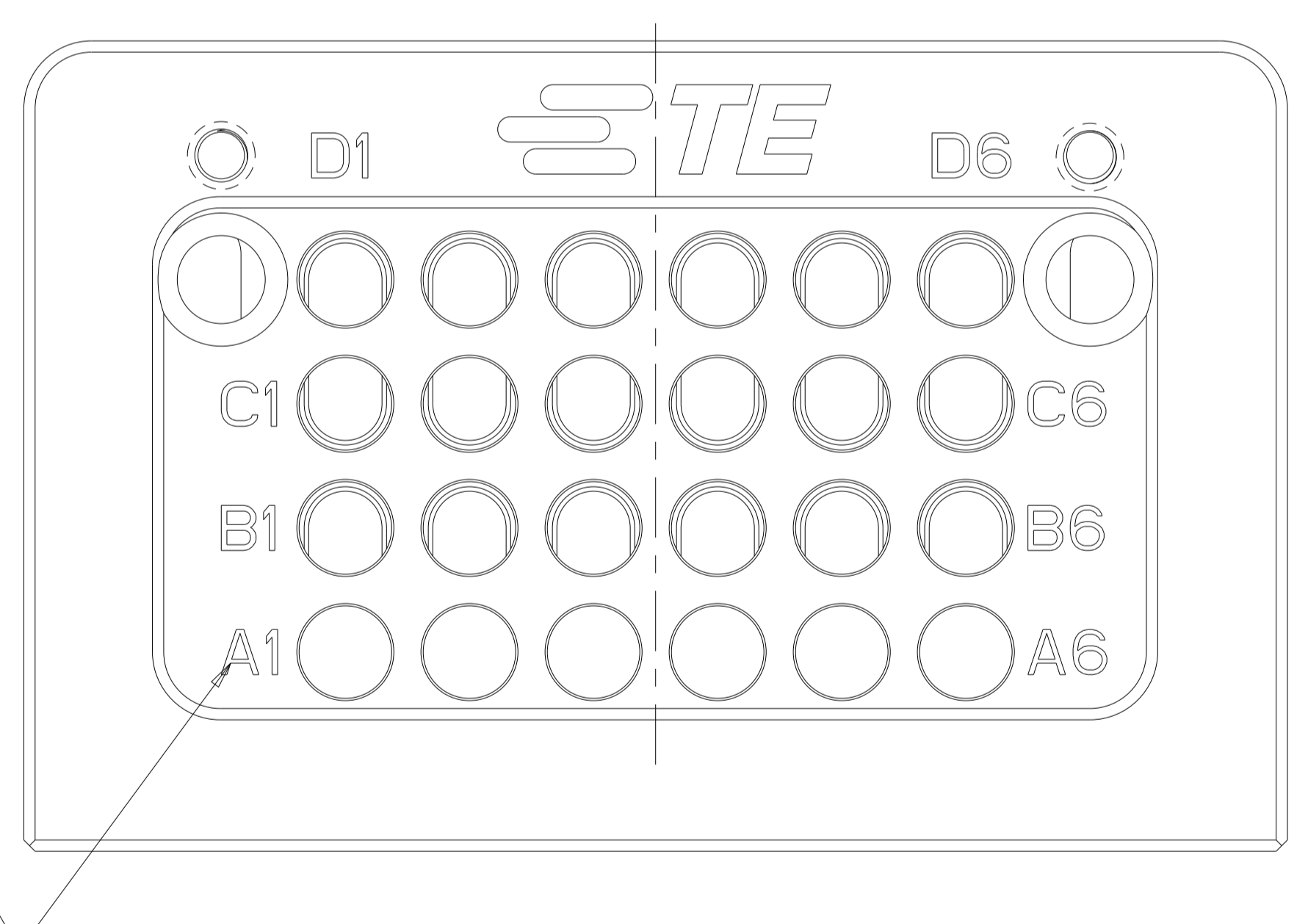
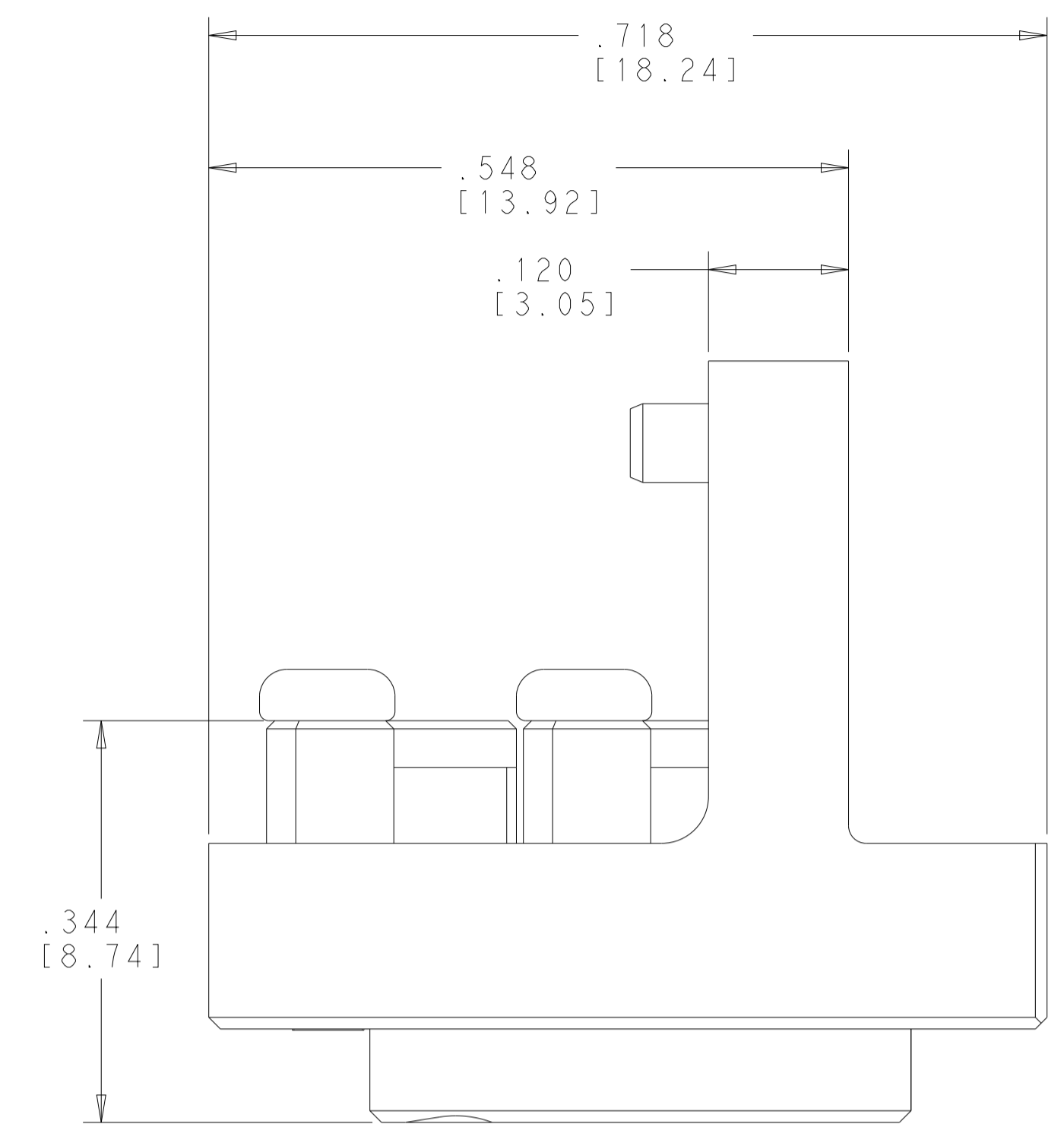


LOC		DIST		REVISIONS			
P	LTN	DESCRIPTION	DATE	DWN	APVD		
A		RELEASED PER 21-104996	6-14-21	CT	FB		



2-56 UNC-2B THREADED THRU HOLE 4 PLACES



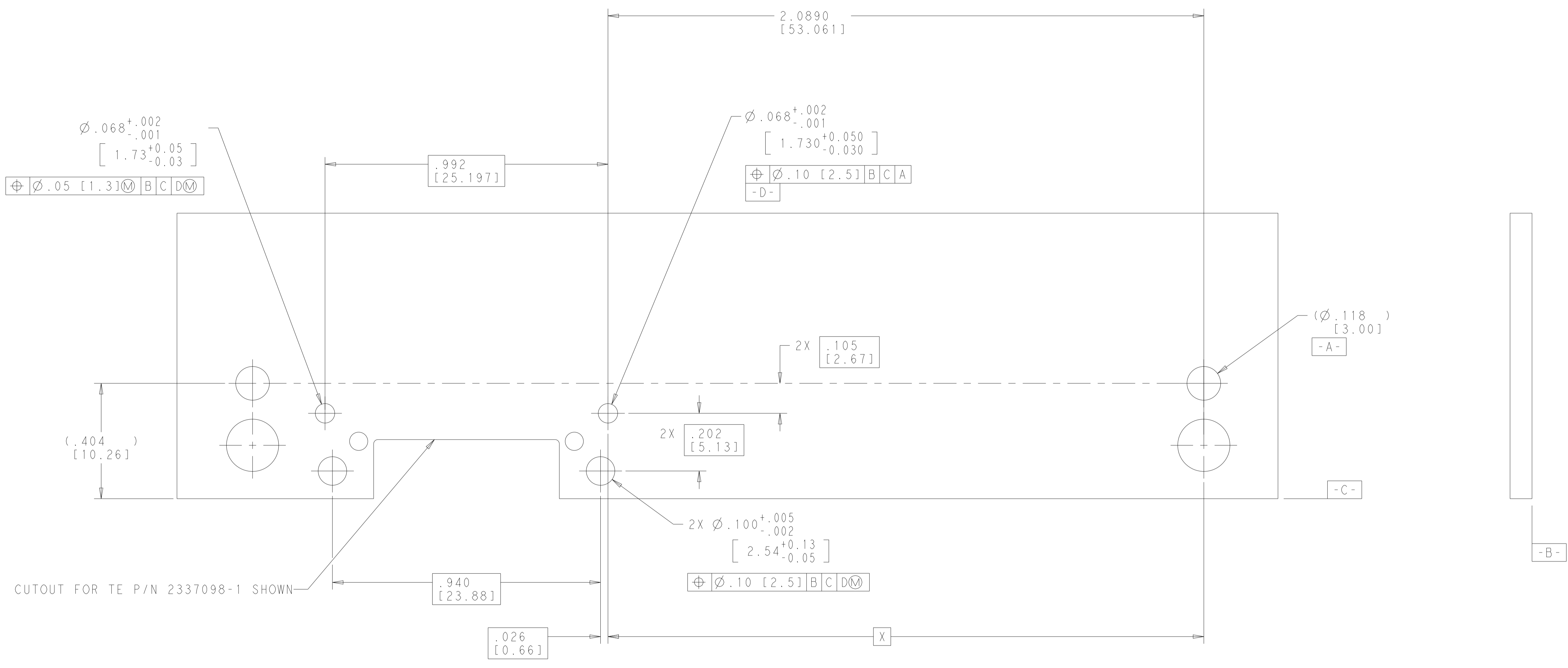
SCALE 5:1

- 1 MATERIAL:  
MODULE BODIES - SEE TABLE  
SCREWS AND SPRING PINS - STAINLESS STEEL
- 2 FINISH:  
MODULE BODIES - SEE TABLE  
SCREWS AND SPRING PINS - PASSIVATED
- 3. SHIPPED IN KIT FORM.
- 4 CIRCUIT IDENTIFICATION MARKING
- 5 SPRING PINS SUPPLIED IN POSITION SHOWN.  
SPRING PINS TO BE PRESSED INTO LOCATING HOLES ON PCB DURING ASSEMBLT.

CLEAR CHROMATE CONVERSION COATING	ALUMINUM ALLOY 7075	2332714-2
PASSIVATED	STAINLESS STEEL PER UNS S30300	2332714-1
MODULE FINISH 2	MODULE MATERIAL 1	PART NUMBER

DIMENSIONS:		TOLERANCES UNLESS OTHERWISE SPECIFIED:		APVD		NAME	
INCHES/mm		0 PLC	±	APVD	F. BLASICK	23JUL2018	NAME
		1 PLC	±	PRODUCT SPEC			ASSEMBLY, RF MODULE, DAUGHTERCARD EDGELAUNCH, V67.3
		2 PLC	±	APPLICATION SPEC			
		3 PLC	±.005[0.13]	WEIGHT			
		4 PLC	±				
		ANGLES	±				
		FINISH					

LOC		DIST		REVISIONS			
P	LTN	DESCRIPTION	DATE	DWN	APVD		
-	-	SEE SHEET 1	-	-	-		



CUTOUT FOR TE P/N 2337098-1 SHOWN

RECOMMENDED PCB CUTOUT  
 DESIGNED TO MATE WITH MODULE "C"  
 LOCATIONS AS SPECIFIED IN VITA 67.3  
 (SEE FIGURE 6.1.4.1-1)

P2	2.089[53.06]
P3	3.646[92.61]
P4	4.980[126.49]
P5	6.113[155.27]
P6	7.261[184.43]
POSITION	DIM "X"

THIS DRAWING IS A CONTROLLED DOCUMENT.

DWN: K. MILLER 20JUN2018  
 CHK: F. BLASICK 23JUL2018

TE Connectivity

ASSEMBLY, RF MODULE, DAUGHTERCARD  
 EDGELAUNCH, V67.3

SIZE: A1 CAGE CODE: 2332714 DRAWING NO: 100779

SCALE: 4:1 SHEET: 2 OF 2 REV: A

Customer Drawing