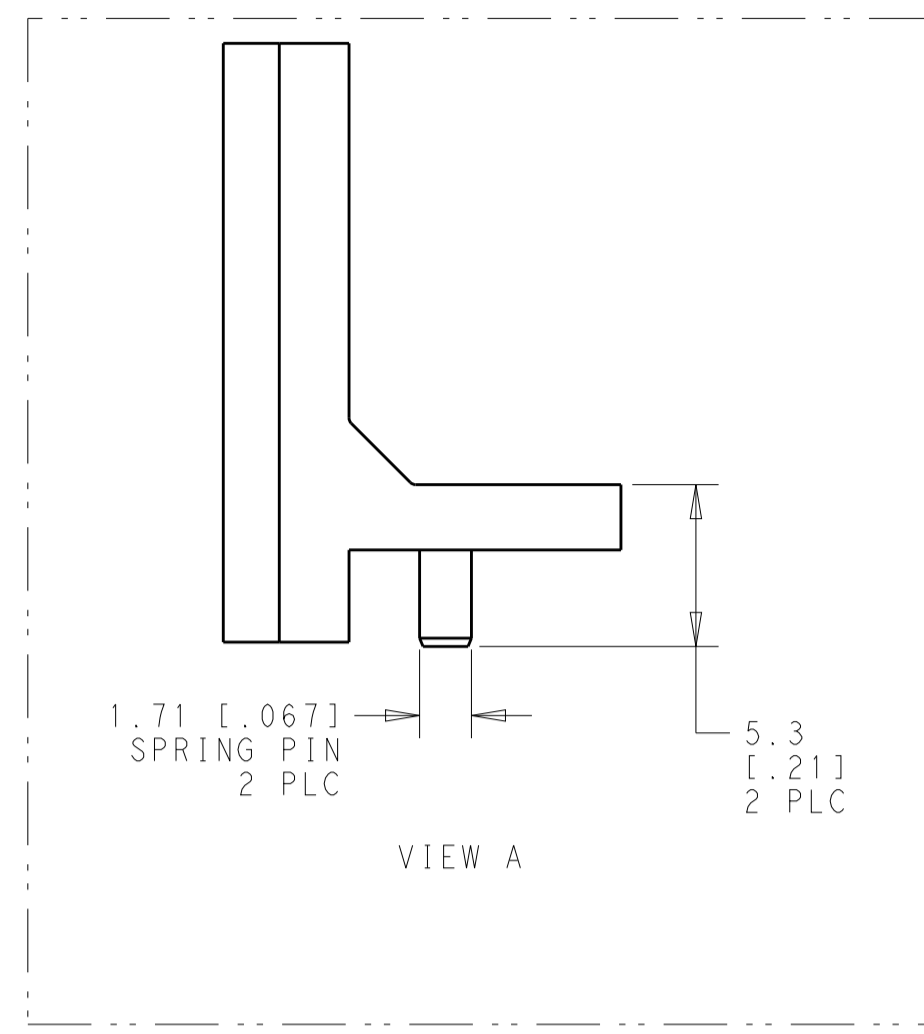
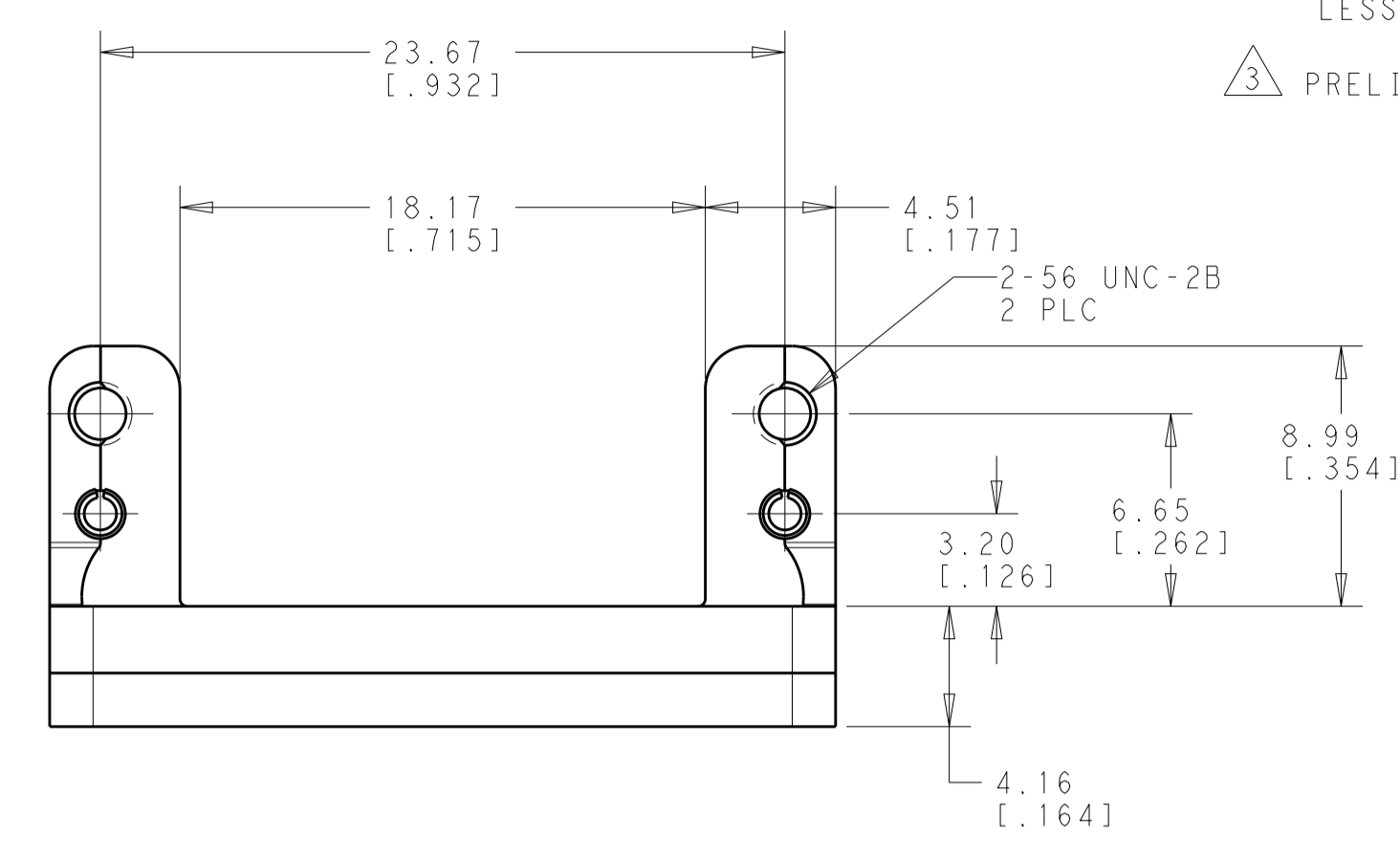
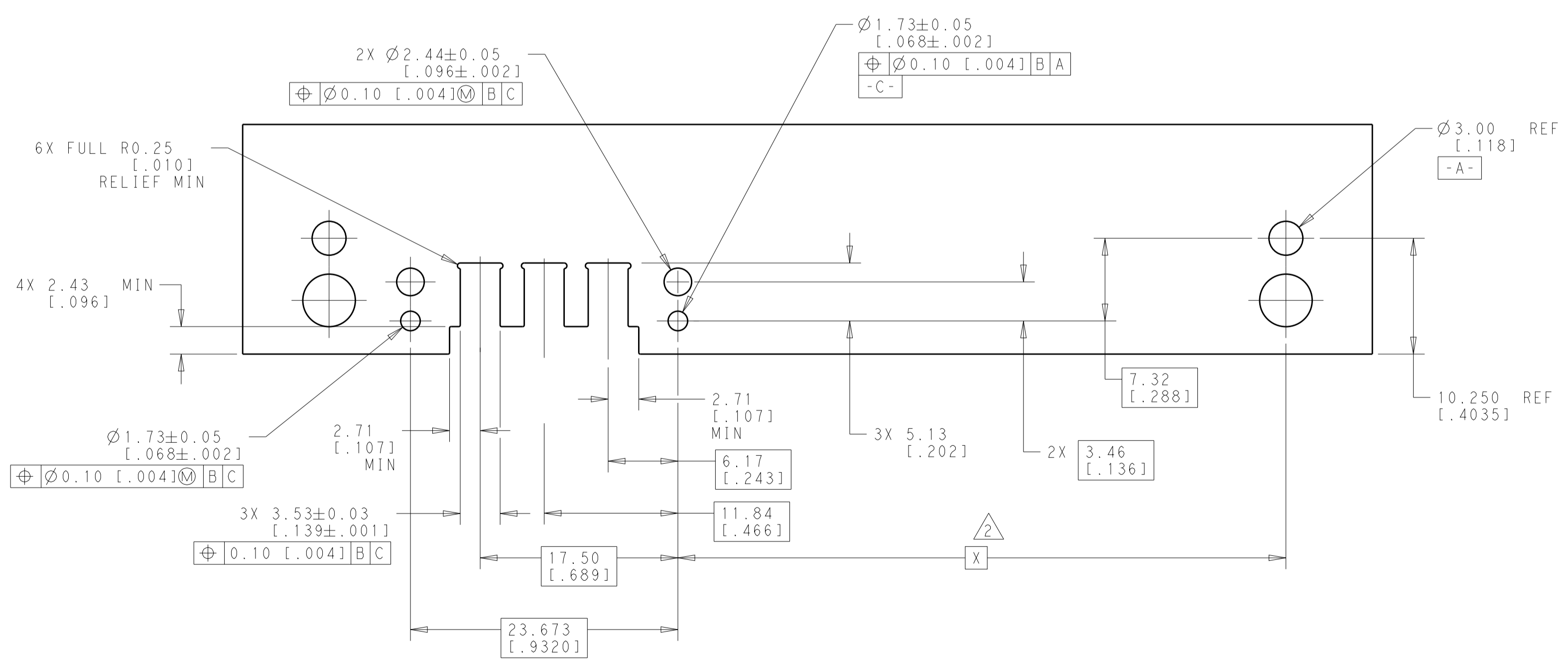
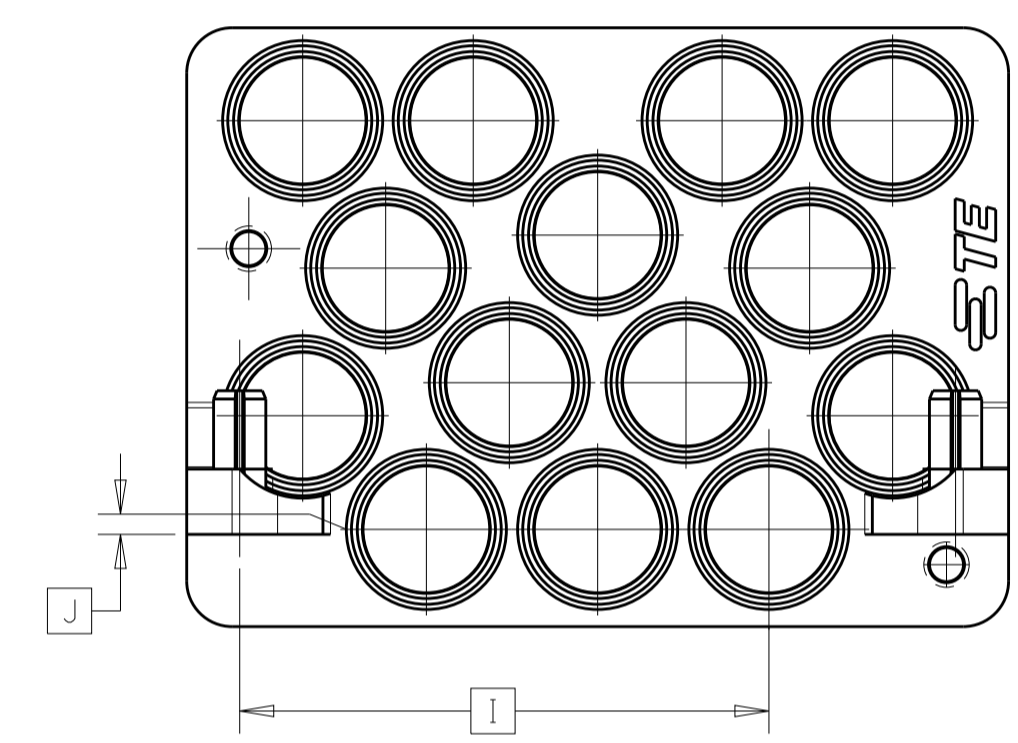
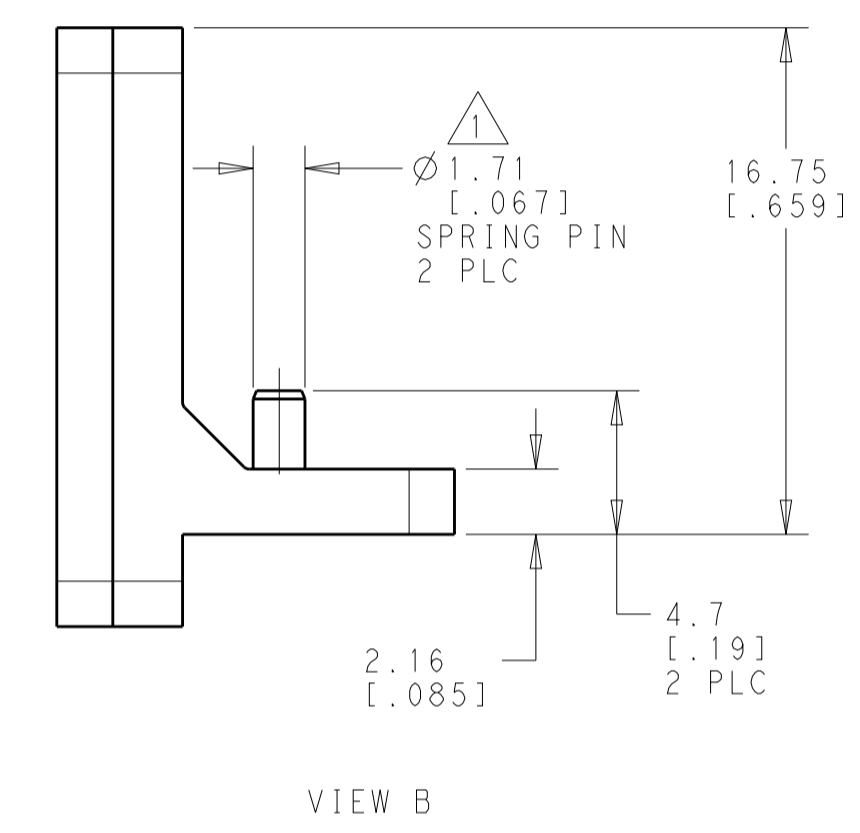
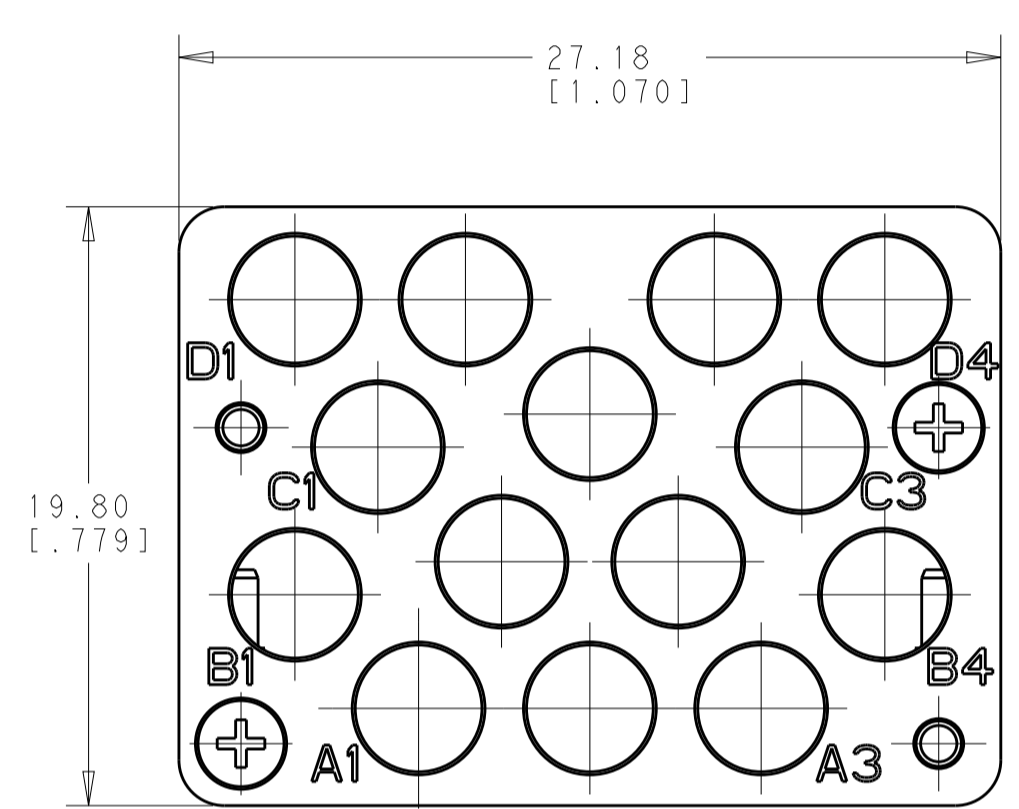


REVISIONS				
REV	LTN	DESCRIPTION	DATE	APP'D
A		RELEASED PER ECO 19-008968	8-22-19	CT FB

- 1 PINS SHOWN IN AS-SHIPED STATE. PINS TO BE PRESSED FLUSH TO TOP OF MODULE FLANGE BY CUSTOMER DURING ASSEMBLY PROCESS.
- 2 SEE VITA 67 SPECIFICATIONS FOR CONNECTOR LOCATION ON DAUGHTERCARD PCB. REFERENCE: DIM X FOR THE DAUGHTERCARD CONNECTOR LOCATION IS 6.76(.266) LESS THAN DIM X FOR THE BACKPLANE CONNECTOR LOCATION.
- 3 PRELIMINARY-NOT RELEASED FOR PRODUCTION



HOLE CHART		
HOLE ID	I	J
A1	17.501 [.6890]	0.165 [.0065]
A2	11.837 [.4660]	0.165 [.0065]
A3	6.173 [.2430]	0.165 [.0065]
B1	21.591 [.8500]	3.924 [.1545]
B2	14.758 [.5810]	5.016 [.1975]
B3	8.916 [.3510]	5.016 [.1975]
B4	2.083 [.0820]	3.924 [.1545]
C1	18.847 [.7420]	8.801 [.3465]
C2	11.837 [.4660]	9.893 [.3895]
C3	4.827 [.1900]	8.801 [.3465]
D1	21.591 [.8500]	13.678 [.5385]
D2	15.952 [.6280]	13.678 [.5385]
D3	7.722 [.3040]	13.678 [.5385]
D4	2.083 [.0820]	13.678 [.5385]



3	2332829-4	HOUSING	ALUMINUM ALLOY 7075-T651	TRIVALENT CHROMATE CONVERSION COATING, PER MIL-DTL-5541F, CLASS 1A, TYPE II	B
		SPRING PIN	NICKEL STAINLESS STEEL	PASSIVATED	
3	2332829-3	HOUSING	ALUMINUM ALLOY 7075-T651	TRIVALENT CHROMATE CONVERSION COATING, PER MIL-DTL-5541F, CLASS 1A, TYPE II	A
		SPRING PIN	NICKEL STAINLESS STEEL	PASSIVATED	
	2332829-2	HOUSING	STAINLESS STEEL PER ASTM A484 AND ASTM A582, TYPE 303	PASSIVATED	B
		SPRING PIN	NICKEL STAINLESS STEEL	PASSIVATED	
	2332829-1	HOUSING	STAINLESS STEEL PER ASTM A484 AND ASTM A582, TYPE 303	PASSIVATED	A
		SPRING PIN	NICKEL STAINLESS STEEL	PASSIVATED	
	TE PART NO.	COMPONENT	MATERIAL	FINISH	VIEW

THIS DRAWING IS A CONTROLLED DOCUMENT. DWG: M. MILLER 22FEB2019, CHK: F. BLASICK 22FEB2019, APVD: F. BLASICK 22FEB2019

DIMENSIONS: mm [INCHES]. TOLERANCES UNLESS OTHERWISE SPECIFIED: 0 PLC ±.05 [.002], 1 PLC ±0.13 [.005], 2 PLC ±0.13 [.005], 3 PLC ±0.13 [.005], 4 PLC ±.05 [.002]. ANGLES: ±.05 [1.5].

MATERIAL: -. FINISH: -. WEIGHT: -. CUSTOMER DRAWING: -. SCALE: 3:1. SHEET 1 OF 1. REV B.

NAME: VITA 67.3 DAUGHTER CARD MODULE 14 POSN FOR SMPM STRAIGHT CABLE PLUG. SIZE: A. CAGE CODE: 00779. DRAWING NO: C=2332829. RESTRICTED TO: B.