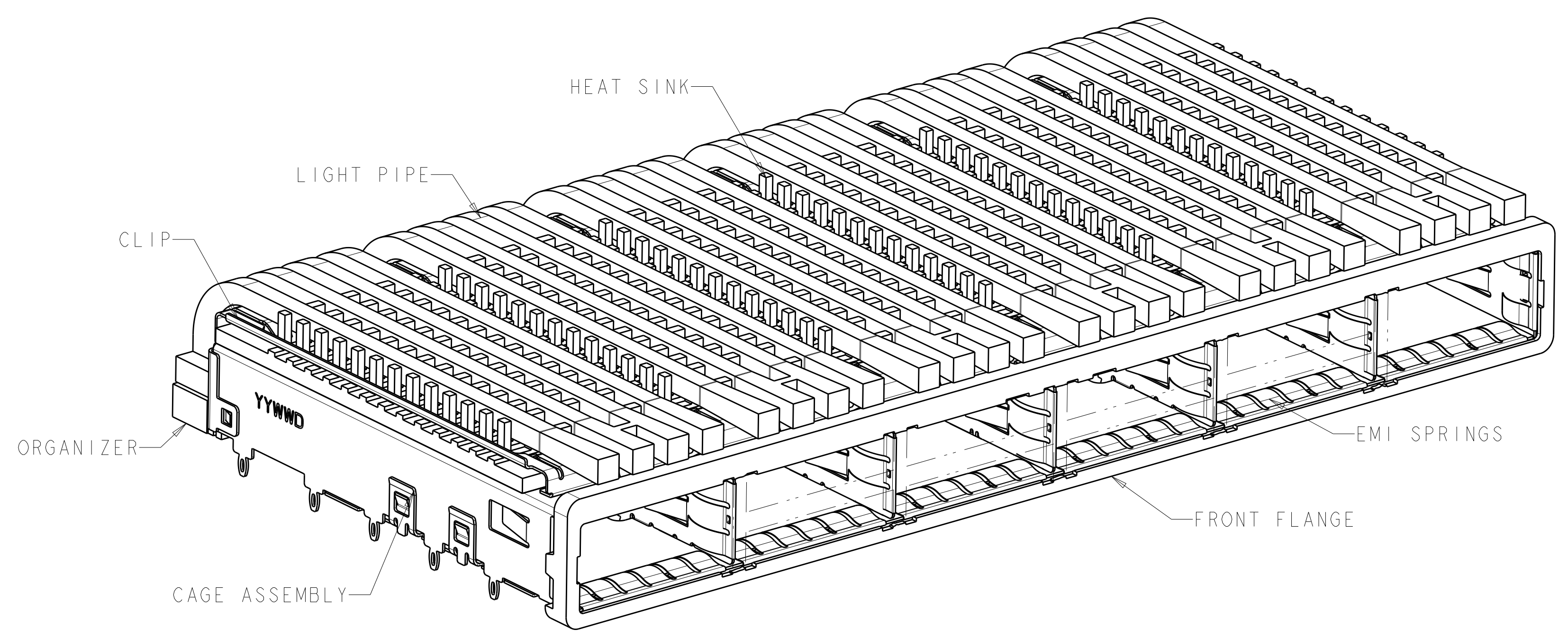
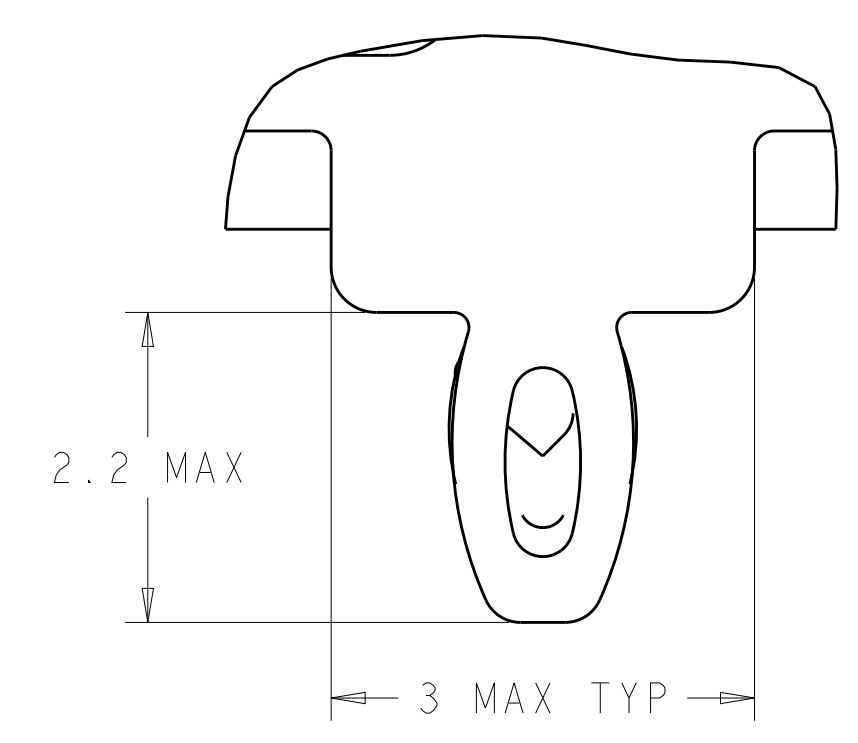
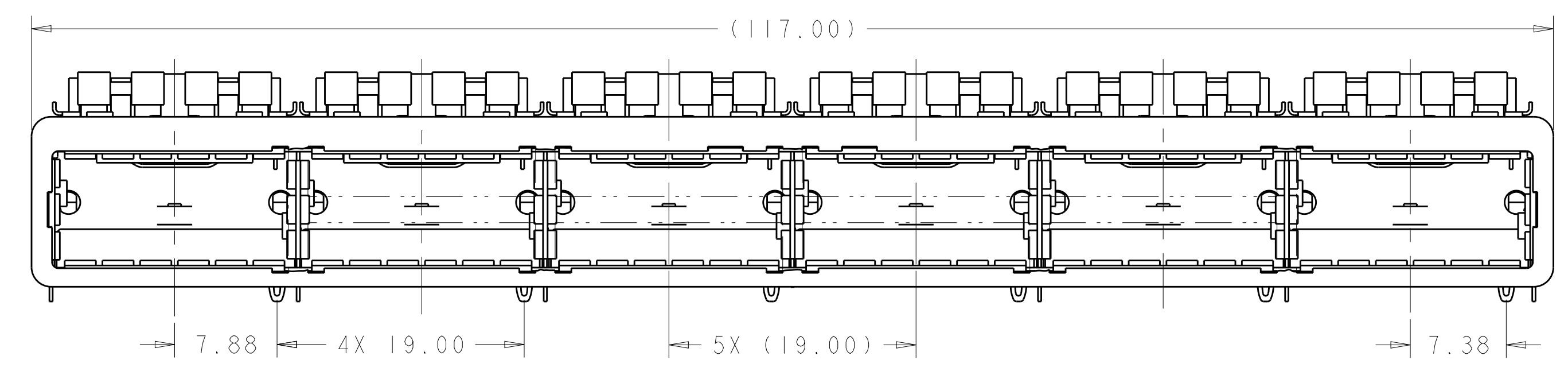
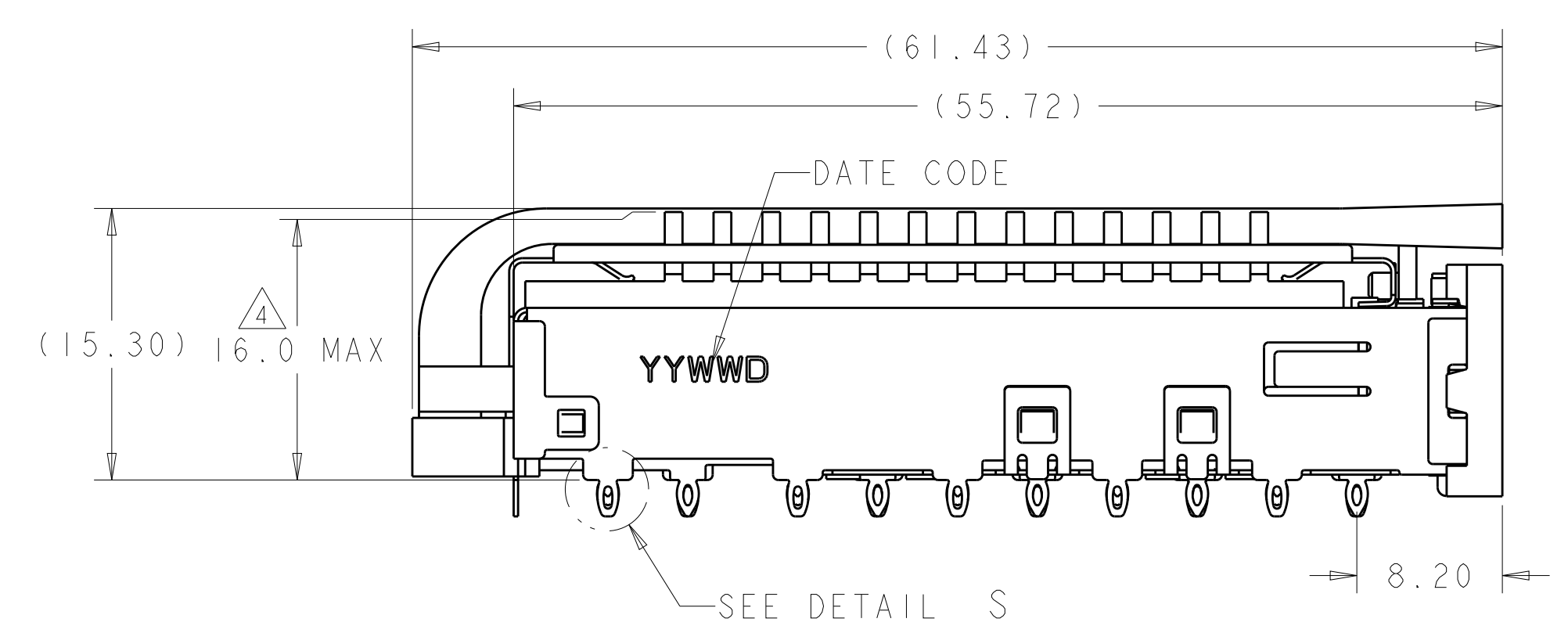


| LOC | DIST | REVISIONS |              |           |       |
|-----|------|-----------|--------------|-----------|-------|
| GP  | 00   | REV       | DATE         | BY        | CHK   |
|     |      | A         | RELEASE TO A | 25APR2019 | JY SH |



- 1 MATERIALS/FINISH:  
 CAGE ASSEMBLY - NICKEL-SILVER ALLOY, (0.25) THICK  
 EMI SPRINGS - COPPER ALLOY/TIN PLATING  
 FRONT FLANGE - ZINC ALLOY/NICKEL OVER COPPER  
 HEAT SINK - ALUMINUM/ANODIZE BLACK  
 LIGHT PIPE - PC
- 2 SPACING BETWEEN CAGES ON THE SAME PCB TO BE SPECIFIED BY THE CUSTOMER, MUST COMPLY WITH MINIMUM DIMENSION SHOWN
- 3 REFERENCE APPLICATION SPECIFICATION 114-32023 FOR RECOMMENDED DRILL HOLE DIAMETER AND PLATING THICKNESS
- 4 DATUMS AND BASIC DIMENSIONS ESTABLISHED BY CUSTOMER
- 5 UNPLATED THRU HOLE
- 6 MATES WITH QSFP MSA COMPATIBLE TRANSCEIVER
- 7 DATE CODE (YYWWD) IS MARKED ON CAGE.
- 8 DATUM Z IS TOP SURFACE OF PC BOARD.

2334626-1 WITH LIGHT PIPE  
 SCALE 3:1

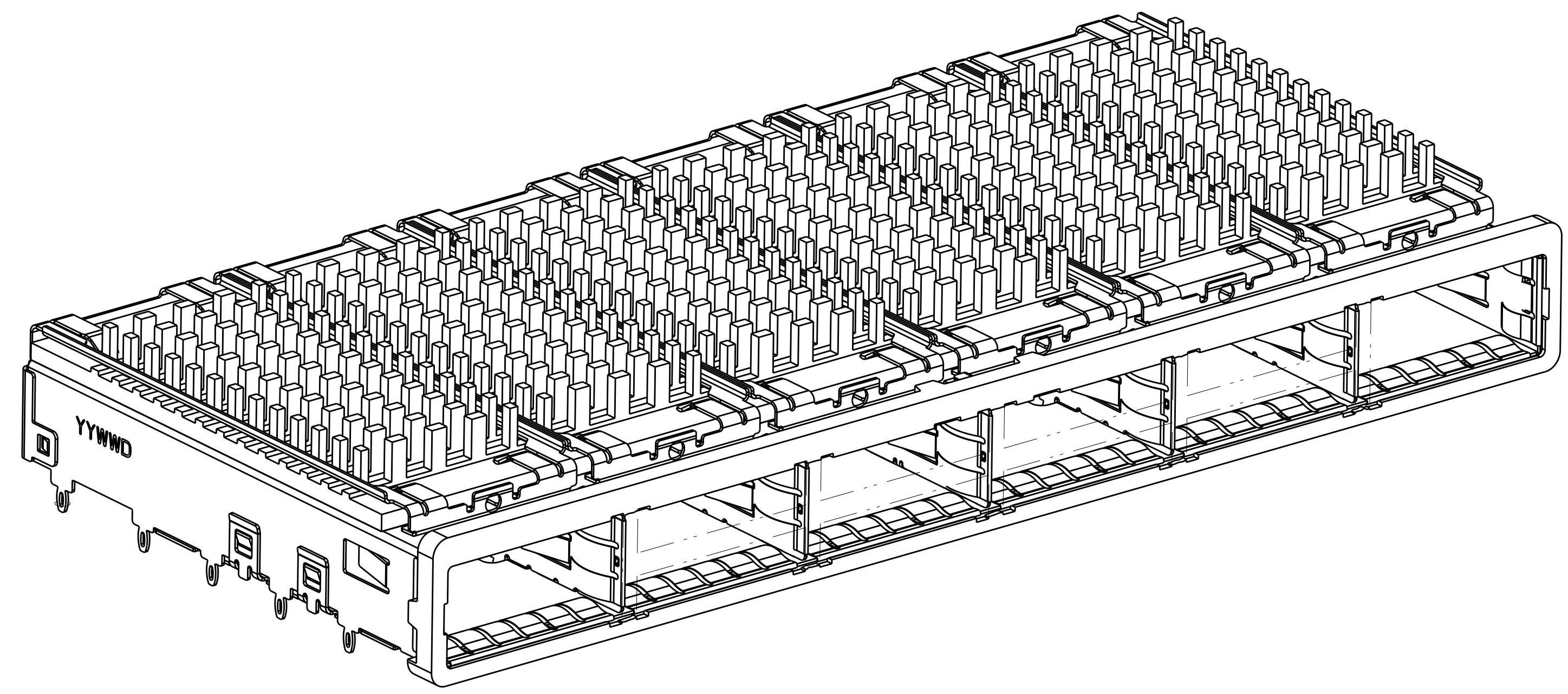


DETAIL S  
 SCALE 20:1

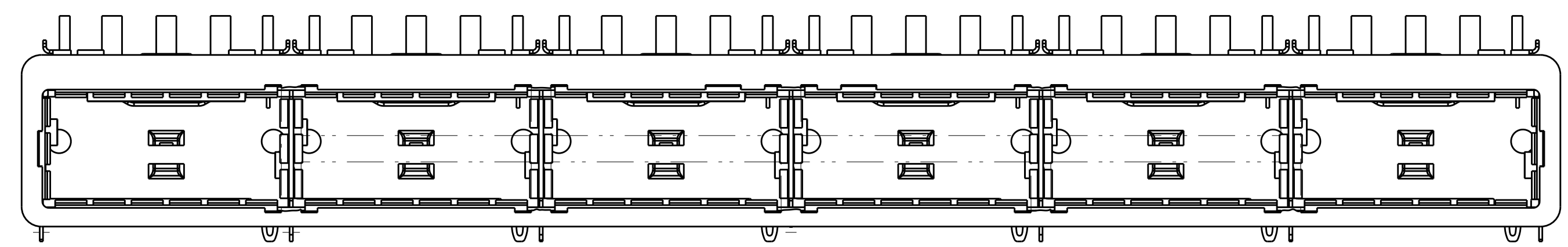
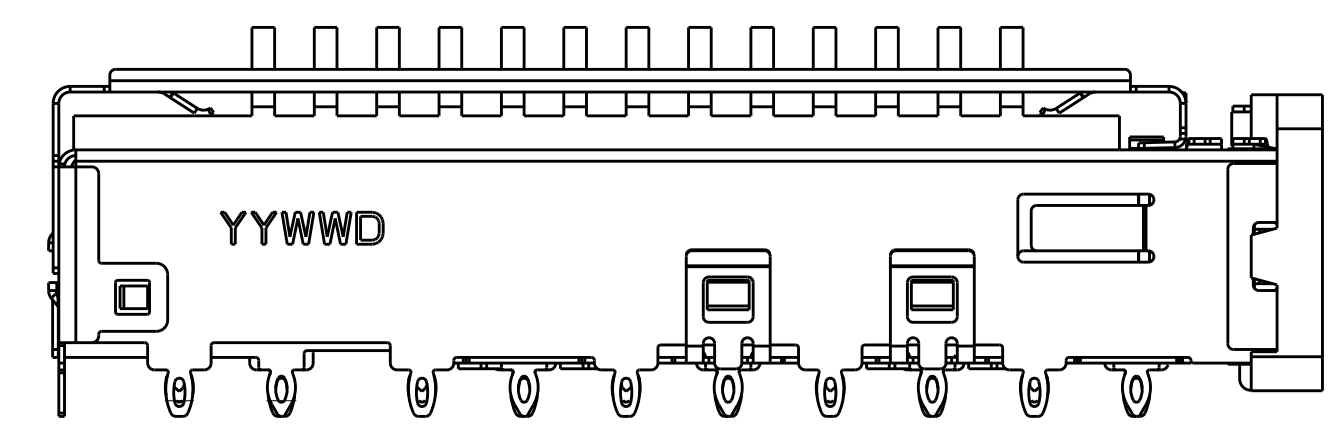
|                   |             |
|-------------------|-------------|
| NO                | 2334626-2   |
| YES               | 2334626-1   |
| LIGHT PIPE OPTION | PART NUMBER |

|  |             |  |                 |  |
|--|-------------|--|-----------------|--|
| THIS DRAWING IS A CONTROLLED DOCUMENT. |             | OWN: JASON YANG 10APR2018              | TE Connectivity |  |
|  |             | CHK: SEAN HAN 10APR2018                |                 |  |
| DIMENSIONS:                            |             | TOLERANCES UNLESS OTHERWISE SPECIFIED: |                 | NAME: 1X6 CAGE ASSEMBLY, BEHIND BEZEL, W/ HEAT SINKS, LIGHT PIPE |
| mm                                     | 0 PLC ±0.25 | PRODUCT SPEC: 108-19428                |                 | SIZE: CAGE CODE DRAWING NO: A100779C=2334626                     |
|  | 1 PLC ±0.25 | APPLICATION SPEC: 114-32023            |                 | RESTRICTED TO: -   |
|  | 2 PLC ±0.20 | WEIGHT: -                              |                 | SCALE: 3:1 SHEET 1 OF 6 REV A                                    |
|  | 3 PLC ±     | CUSTOMER DRAWING                       |                 |  |
|  | 4 PLC ±     |  |                 |  |
|  | ANGLES ±    |  |                 |  |
|  | FINISH -    |  |                 |  |


| LOC | DIST | REVISIONS   |      |     |      |
|-----|------|-------------|------|-----|------|
| P   | LYR  | DESCRIPTION | DATE | OWN | APVD |
| GP  | 00   | SEE SHEET 1 | -    | -   | -    |
|     |      |             |      |     |      |
|     |      |             |      |     |      |



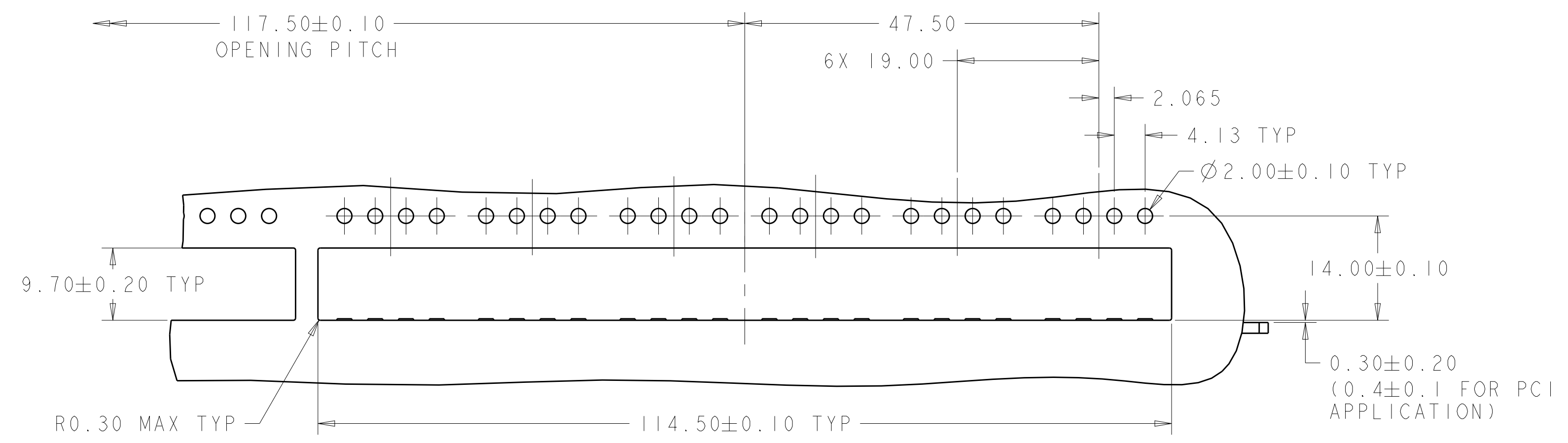
2334626-2 WITHOUT LIGHT PIPE  
 IS SAME AS 2334626-1 EXCEPT WITHOUT LIGHT PIPE  
 SCALE 3:1



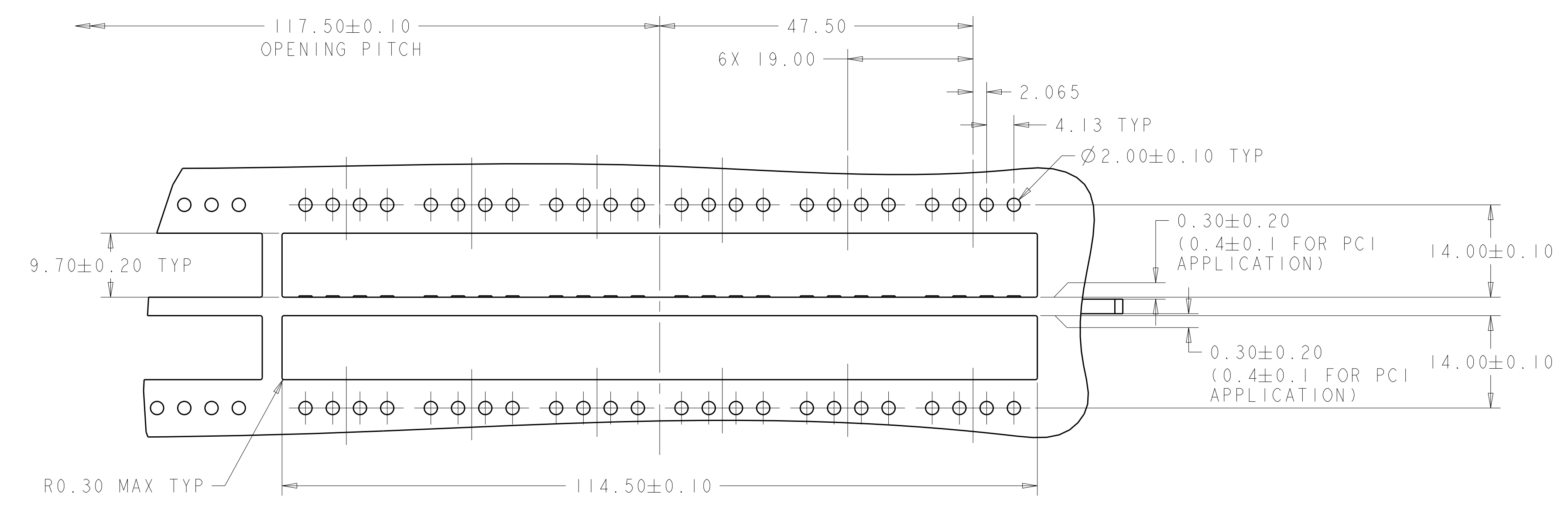
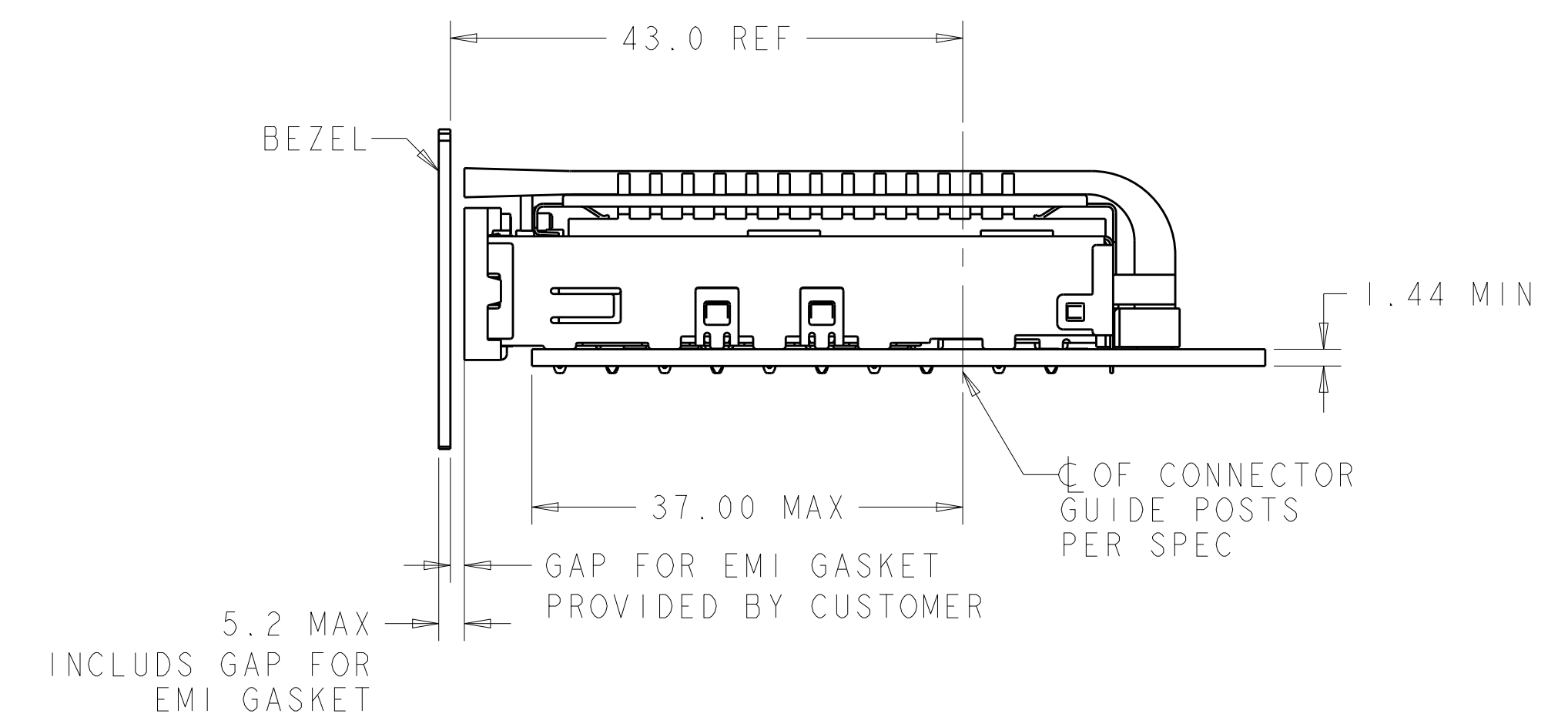
SCALE 3:1

|  |  |  |   |
|--|--|--|---|
| THIS DRAWING IS A CONTROLLED DOCUMENT. |  | OWN: JASON YANG 10APR2018  |  TE Connectivity |
|  |  | CHK: SEAN HAN 10APR2018  |   |
| DIMENSIONS:                            |  | NAME: 1X6 CAGE ASSEMBLY, BEHIND BEZEL, W/ HEAT SINKS, LIGHT PIPE |   |
| mm                                     | TOLERANCES UNLESS OTHERWISE SPECIFIED: | PRODUCT SPEC: 108-19428  | RESTRICTED TO:  |
|  | 0 PLC ±0.25                            | APPLICATION SPEC: 114-32023                                      | SIZE: A1  |
|  | 1 PLC ±0.25                            | WEIGHT: -  | CAGE CODE: 2334626  |
|  | 2 PLC ±0.20                            | CUSTOMER DRAWING   | SCALE: 3:1 SHEET 2 OF 6 REV A   |
|  | 3 PLC ±                                |  |   |
|  | 4 PLC ±                                |  |   |
|  | ANGLES ±                               |  |   |
|  | FINISH                                 |  |   |

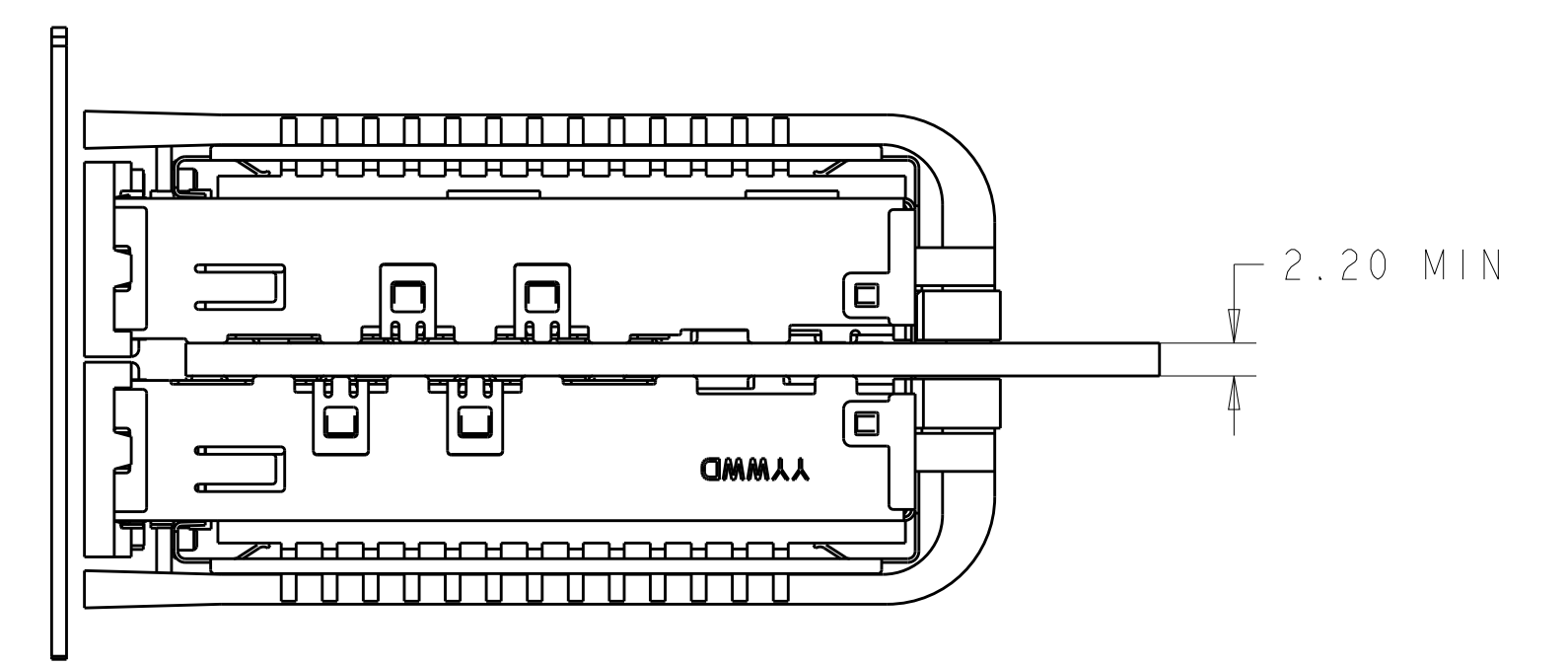
| LOC | DIST | REVISIONS |     |             |      |     |      |
|-----|------|-----------|-----|-------------|------|-----|------|
| GP  | 00   | P         | LTN | DESCRIPTION | DATE | DWN | APVD |
|     |      | -         |     | SEE SHEET 1 | -    | -   | -    |



ONE SIDED CONFIGURATION  
 SCALE 2:1

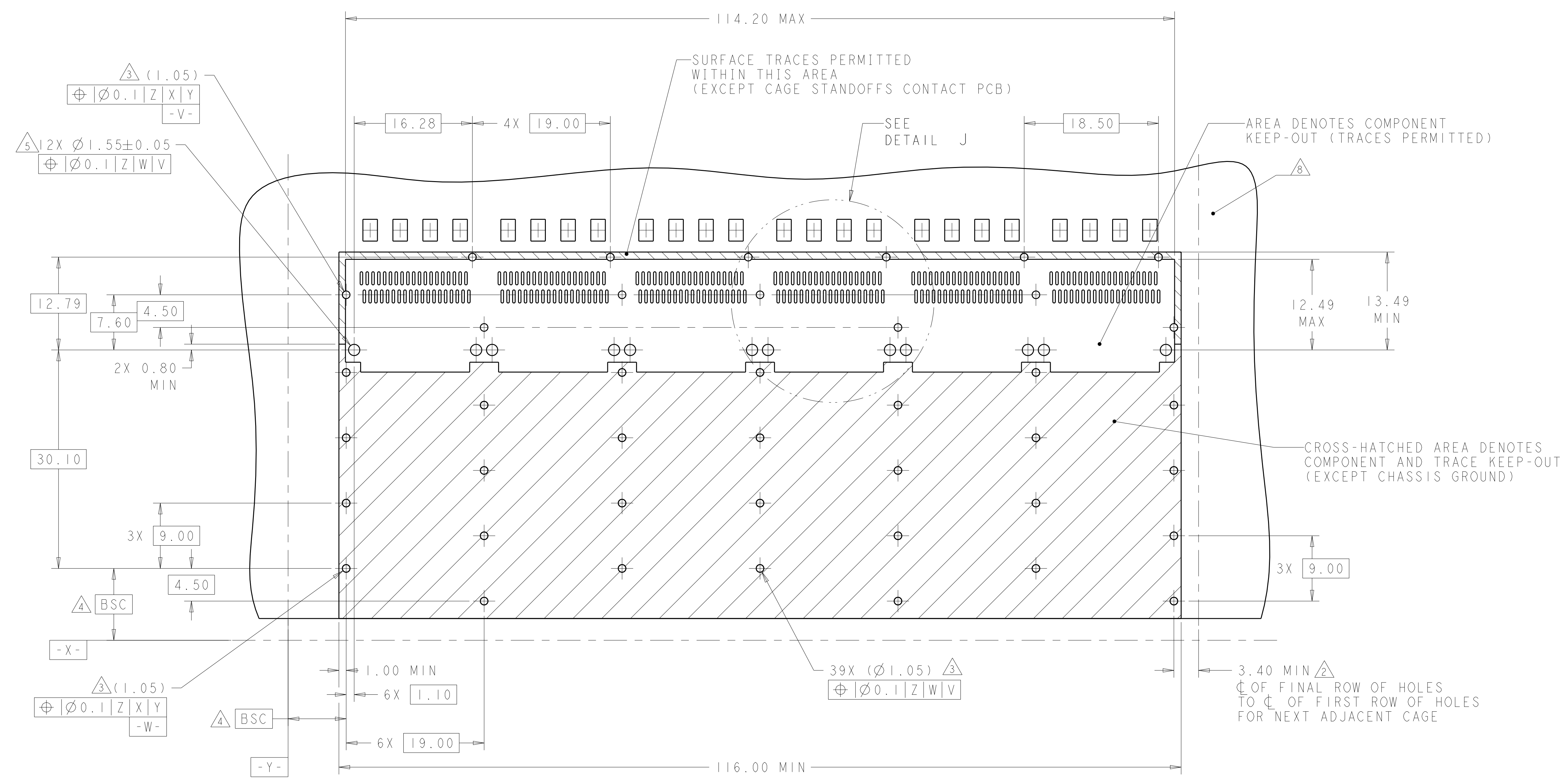


BELLY TO BELLY CONFIGURATION  
 SIMILAR WITH ONE SIDED EXCEPT WHERE NOTED  
 SCALE 2:1



|  |  |                            |  |
|--|--|----------------------------|--|
| THIS DRAWING IS A CONTROLLED DOCUMENT. |  | DWN: JASON YANG 10APR2018  | TE Connectivity  |
|  |  | CHK: SEAN HAN 10APR2018    |  |
| DIMENSIONS:                            | TOLERANCES UNLESS OTHERWISE SPECIFIED: | APVD:                      | NAME:  |
| mm                                     | 0 PLC ±0.25                            | PRODUCT SPEC               | 1X6 CAGE ASSEMBLY, BEHIND BEZEL, W/ HEAT SINKS, LIGHT PIPE |
|  | 1 PLC ±0.25                            | APPLICATION SPEC           | 108-19428  |
|  | 2 PLC ±0.20                            | SIZE: CAGE CODE DRAWING NO | 114-32023  |
|  | 3 PLC ±                                | RESTRICTED TO              |  |
|  | 4 PLC ±                                | WEIGHT                     | A100779C=2334626   |
|  | ANGLES ±                               | CUSTOMER DRAWING           | SCALE 3:1 SHEET 3 OF 6 REV A                               |
| MATERIAL:                              | FINISH:                                |                            |  |

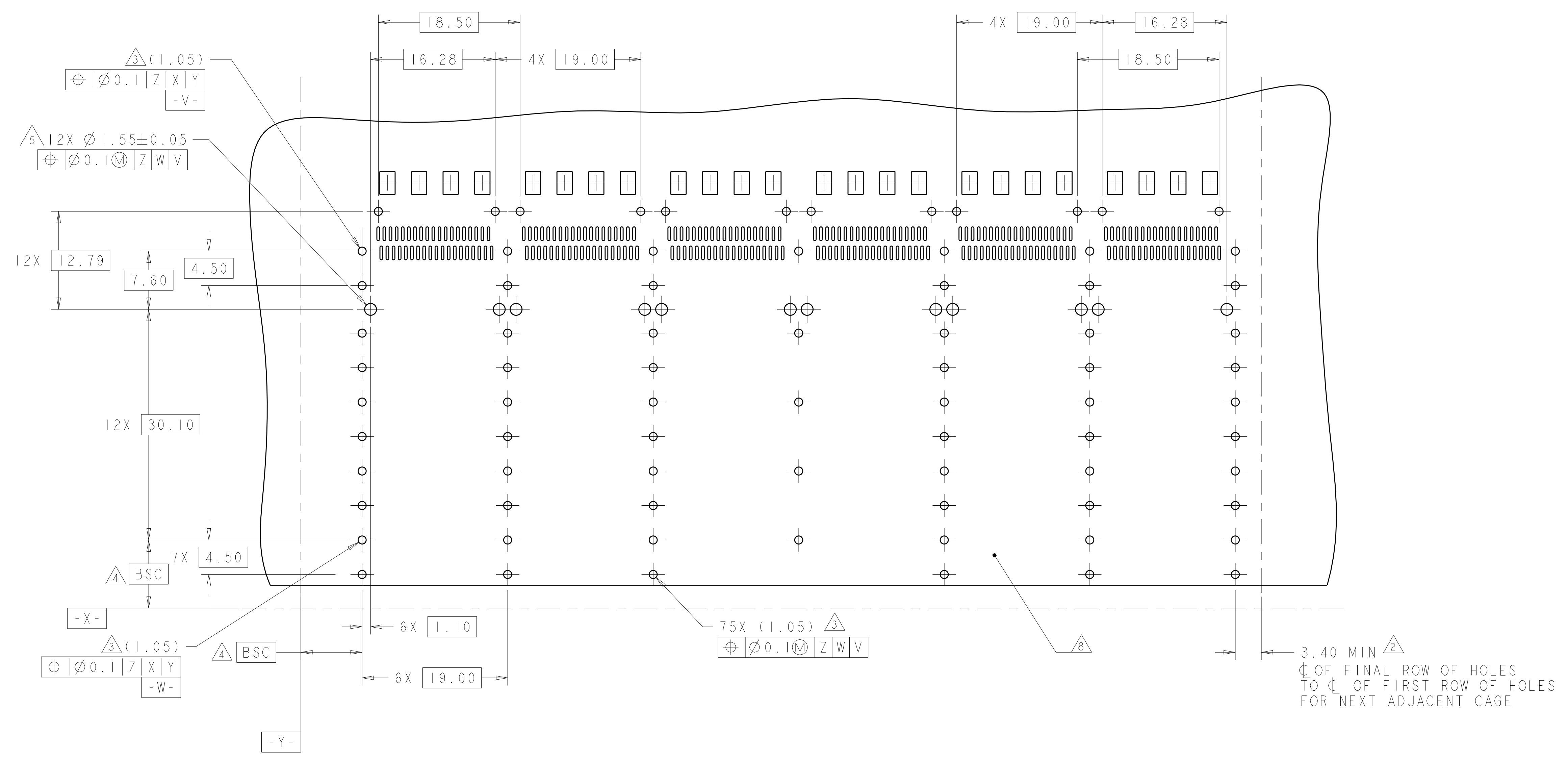
| LOC | DIST | REVISIONS   |      |    |      |
|-----|------|-------------|------|----|------|
| GP  | 00   | REV         | DATE | BY | APPD |
| -   | -    | SEE SHEET 1 | -    | -  | -    |



RECOMMENDED PC BOARD LAYOUT  
 SINGLE SIDE MOUNT CONFIGURATION  
 TOLERANCE: ±0.05  
 SCALE 3:1

|  |   |   |                                       |
|--|---|---|---------------------------------------|
| THIS DRAWING IS A CONTROLLED DOCUMENT. |   | DWN: JASON YANG 10APR2018<br>CHK: SEAN HAN 10APR2018<br>APVD:     | TE Connectivity                       |
| DIMENSIONS:<br>mm<br>                  | TOLERANCES UNLESS OTHERWISE SPECIFIED:<br>0 PLC ±0.25<br>1 PLC ±0.25<br>2 PLC ±0.20<br>3 PLC ±<br>4 PLC ±<br>ANGLES ±<br>FINISH | PRODUCT SPEC: 108-19428<br>APPLICATION SPEC: 114-32023<br>WEIGHT: |                                       |
| MATERIAL:                              |   | CUSTOMER DRAWING  | SCALE: 4:1<br>SHEET: 4 OF 6<br>REV: A |

| LOC |     | DIST        |      | REVISIONS |      |  |  |
|-----|-----|-------------|------|-----------|------|--|--|
| P   | LTN | DESCRIPTION | DATE | DWN       | APVD |  |  |
| -   | -   | SEE SHEET 1 | -    | -         | -    |  |  |
|     |     |             |      |           |      |  |  |
|     |     |             |      |           |      |  |  |



RECOMMENDED PC BOARD LAYOUT  
 BELLY TO BELLY CONFIGURATION  
 UNSPECIFIED DIMENSIONS ARE SAME AS SINGLE SIDE LAYOUT  
 TOLERANCE: ±0.05  
 SCALE: 3:1

|  |  |                             |  |
|--|--|-----------------------------|--|
| THIS DRAWING IS A CONTROLLED DOCUMENT. |  | DWN: JASON YANG 10APR2018   | TE Connectivity  |
| DIMENSIONS: mm                         |  | CHK: SEAN HAN 10APR2018     |  |
| TOLERANCES UNLESS OTHERWISE SPECIFIED: |  | APVD:                       | NAME: 1X6 CAGE ASSEMBLY, BEHIND BEZEL, W/ HEAT SINKS, LIGHT PIPE |
| 0 PLC ±0.25                            |  | PRODUCT SPEC: 108-19428     | SIZE: A1   |
| 1 PLC ±0.25                            |  | APPLICATION SPEC: 114-32023 | CAGE CODE: 2334626   |
| 2 PLC ±0.20                            |  | WEIGHT: -                   | RESTRICTED TO: -   |
| 3 PLC ±                                |  | MATERIAL: -                 | SCALE: 4:1   |
| 4 PLC ±                                |  | FINISH: -                   | SHEET 5 OF 6   |
| ANGLES ±                               |  | CUSTOMER DRAWING            | REV A  |