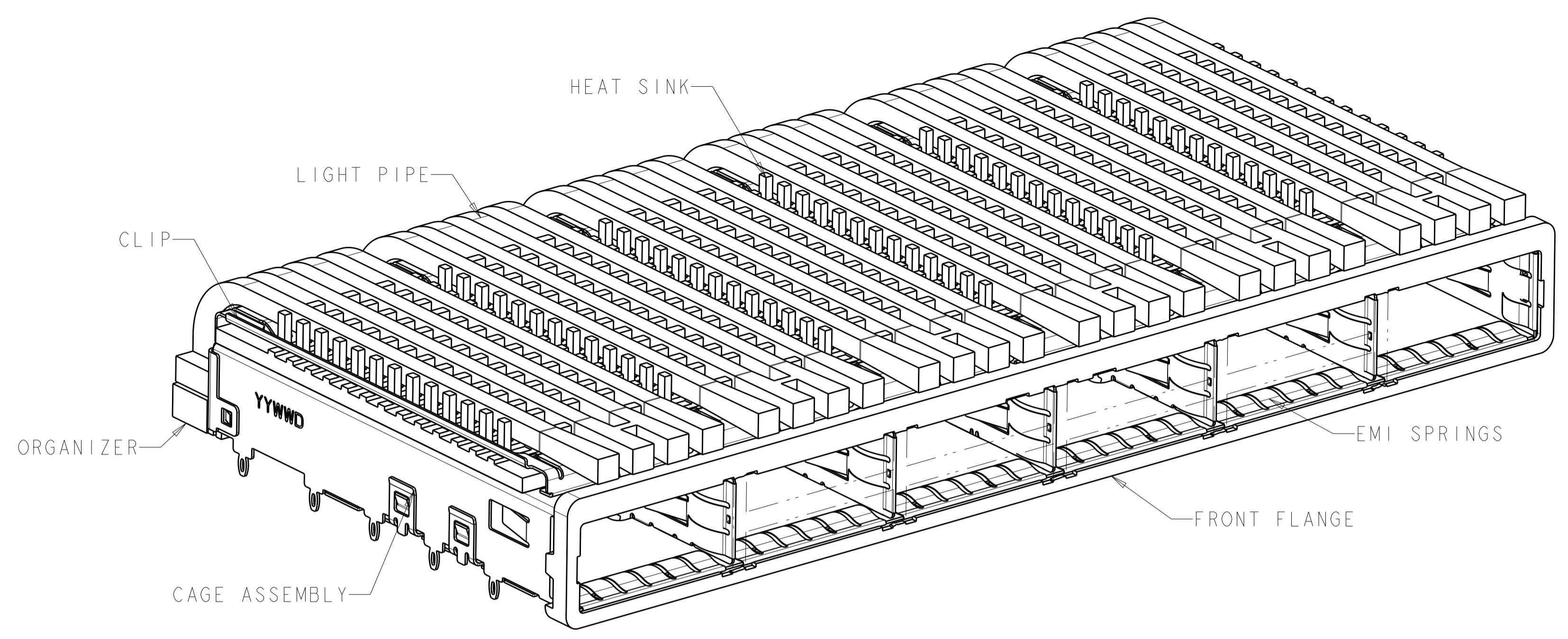
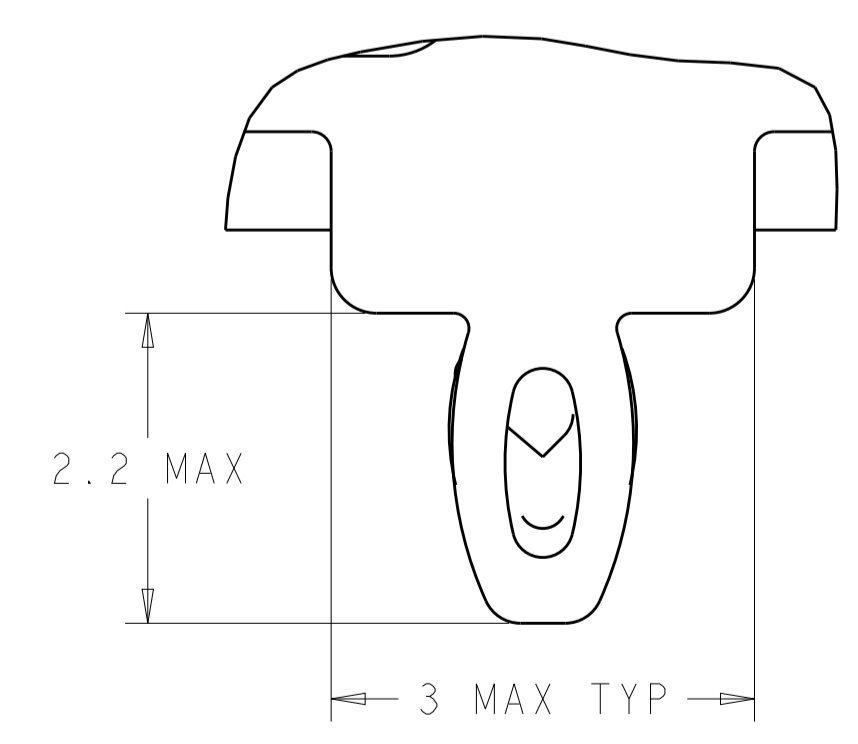
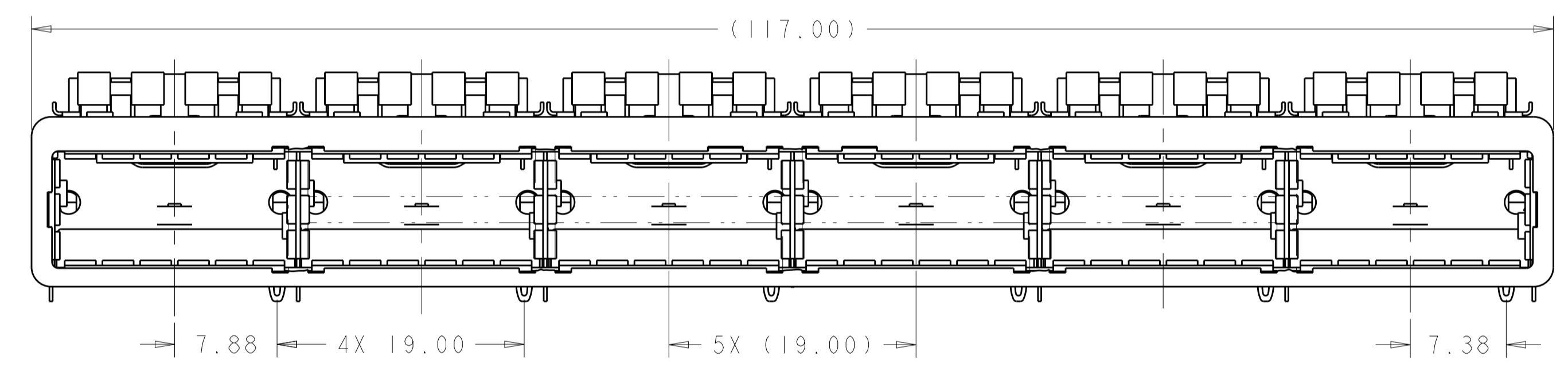
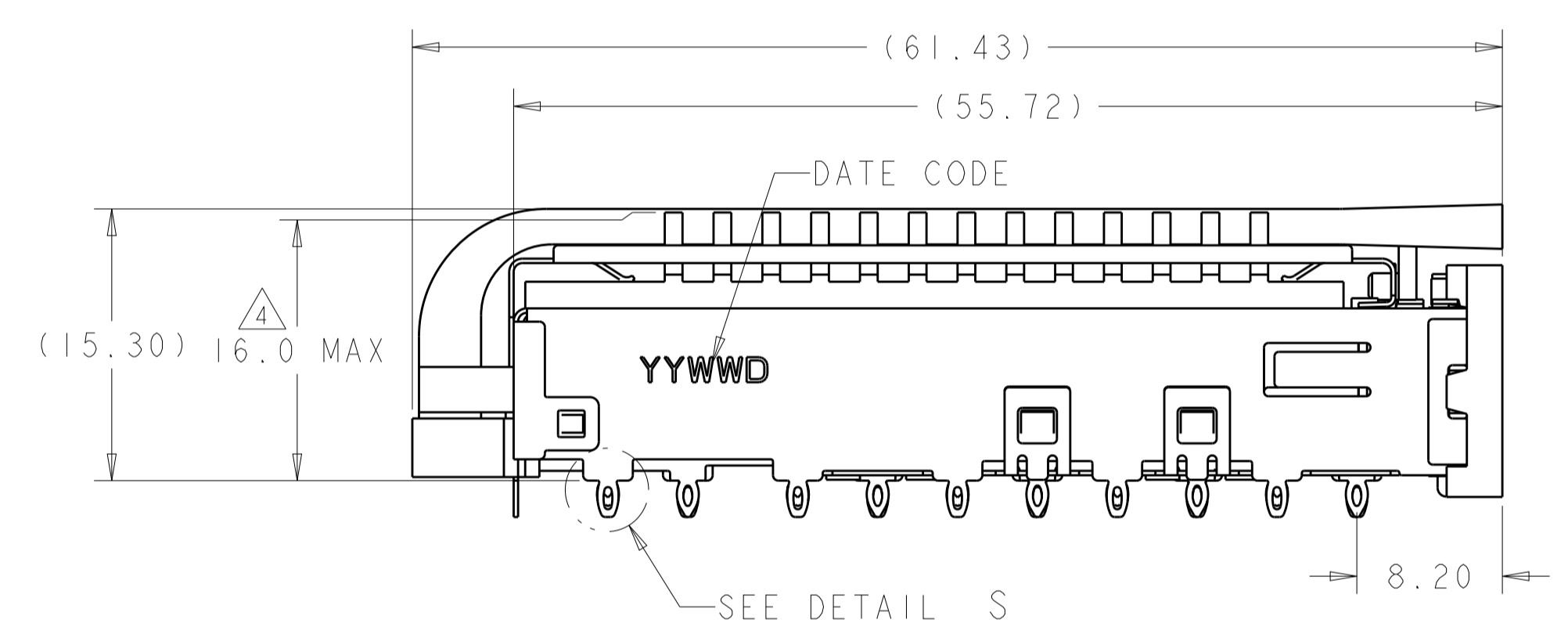


LOC	DIST	REVISIONS			
GP	00	REV	DATE	BY	CHK
		A	RELEASE TO A	25APR2019	JY SH



- 1 MATERIALS/FINISH:  
 CAGE ASSEMBLY - NICKEL-SILVER ALLOY, (0.25) THICK  
 EMI SPRINGS - COPPER ALLOY/TIN PLATING  
 FRONT FLANGE - ZINC ALLOY/NICKEL OVER COPPER  
 HEAT SINK - ALUMINUM/ANODIZE BLACK  
 LIGHT PIPE - PC
- 2 SPACING BETWEEN CAGES ON THE SAME PCB TO BE SPECIFIED BY THE CUSTOMER, MUST COMPLY WITH MINIMUM DIMENSION SHOWN
- 3 REFERENCE APPLICATION SPECIFICATION 114-32023 FOR RECOMMENDED DRILL HOLE DIAMETER AND PLATING THICKNESS
- 4 DATUMS AND BASIC DIMENSIONS ESTABLISHED BY CUSTOMER
- 5 UNPLATED THRU HOLE
- 6 MATES WITH QSFP MSA COMPATIBLE TRANSCEIVER
- 7 DATE CODE (YYWWD) IS MARKED ON CAGE.
- 8 DATUM Z IS TOP SURFACE OF PC BOARD.

2334626-1 WITH LIGHT PIPE  
 SCALE 3:1

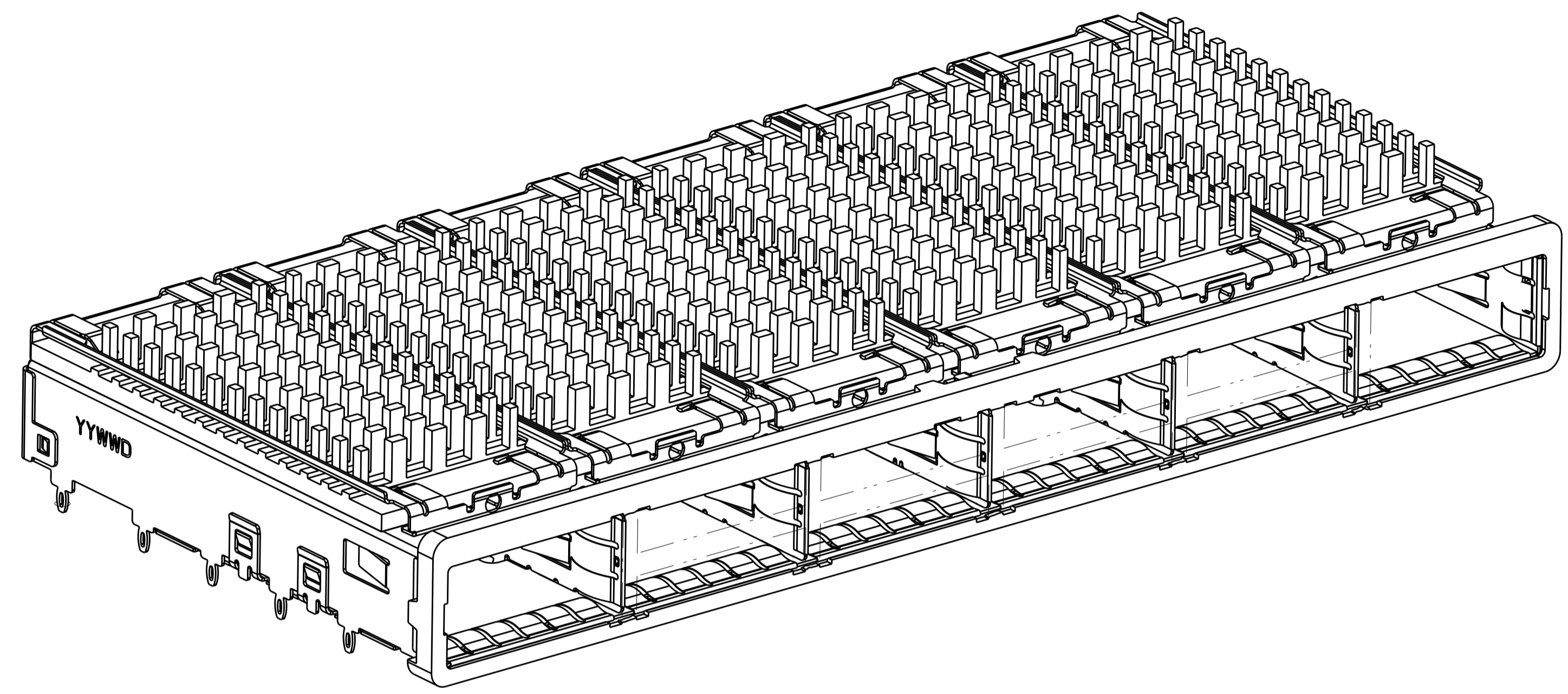


DETAIL S  
 SCALE 20:1

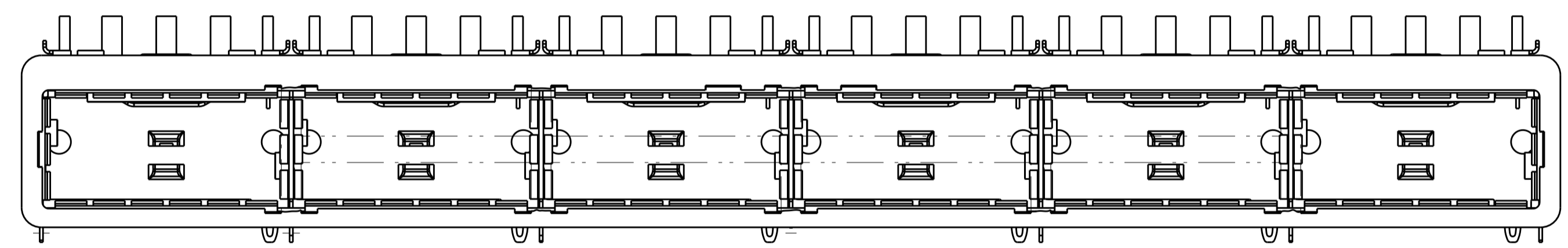
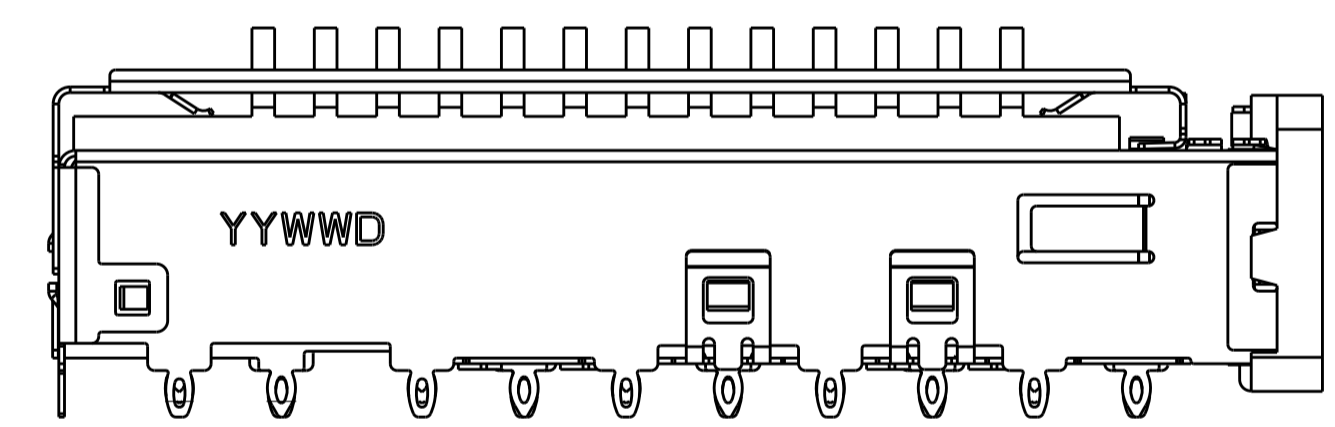
NO	2334626-2
YES	2334626-1
LIGHT PIPE OPTION	PART NUMBER

THIS DRAWING IS A CONTROLLED DOCUMENT.		OWN: JASON YANG 10APR2018	TE Connectivity
DIMENSIONS: mm		CHK: SEAN HAN 10APR2018	
TOLERANCES UNLESS OTHERWISE SPECIFIED:		APVD:	NAME: 1X6 CAGE ASSEMBLY, BEHIND BEZEL, W/ HEAT SINKS, LIGHT PIPE
0 PLC	±0.25	PRODUCT SPEC	108-19428
1 PLC	±0.25	APPLICATION SPEC	114-32023
2 PLC	±0.20	WEIGHT	-
3 PLC	±	CUSTOMER DRAWING	SCALE 3:1 SHEET 1 OF 6 REV A
4 PLC	±		
ANGLES	±		
FINISH	-		

LOC	DIST	REVISIONS			
P	LYR	DESCRIPTION	DATE	OWN	APVD
GP	00	SEE SHEET 1			



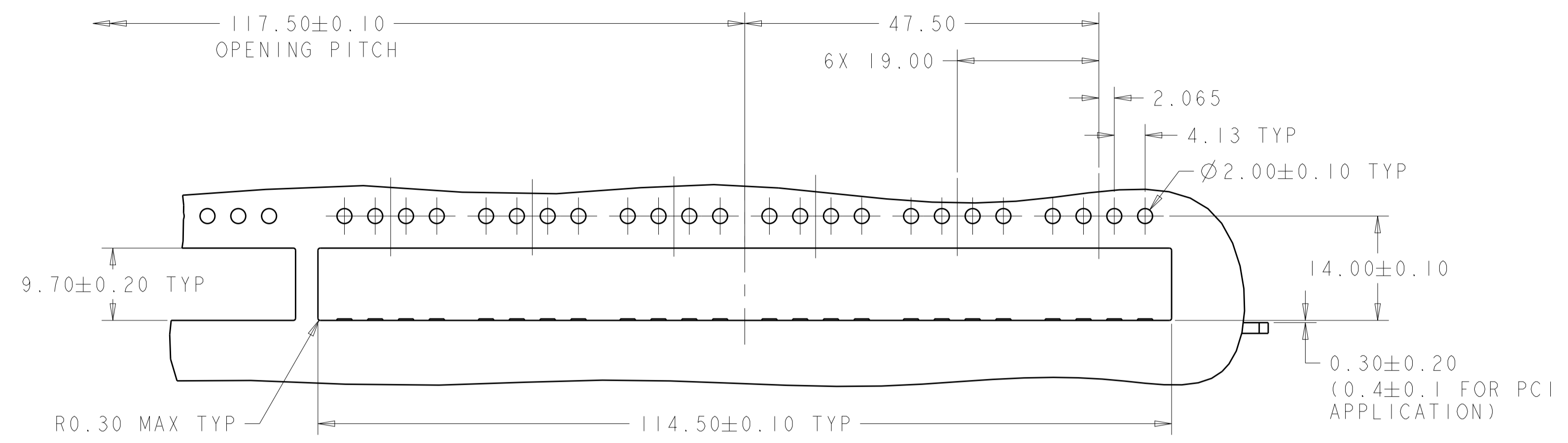
2334626-2 WITHOUT LIGHT PIPE  
 IS SAME AS 2334626-1 EXCEPT WITHOUT LIGHT PIPE  
 SCALE 3:1



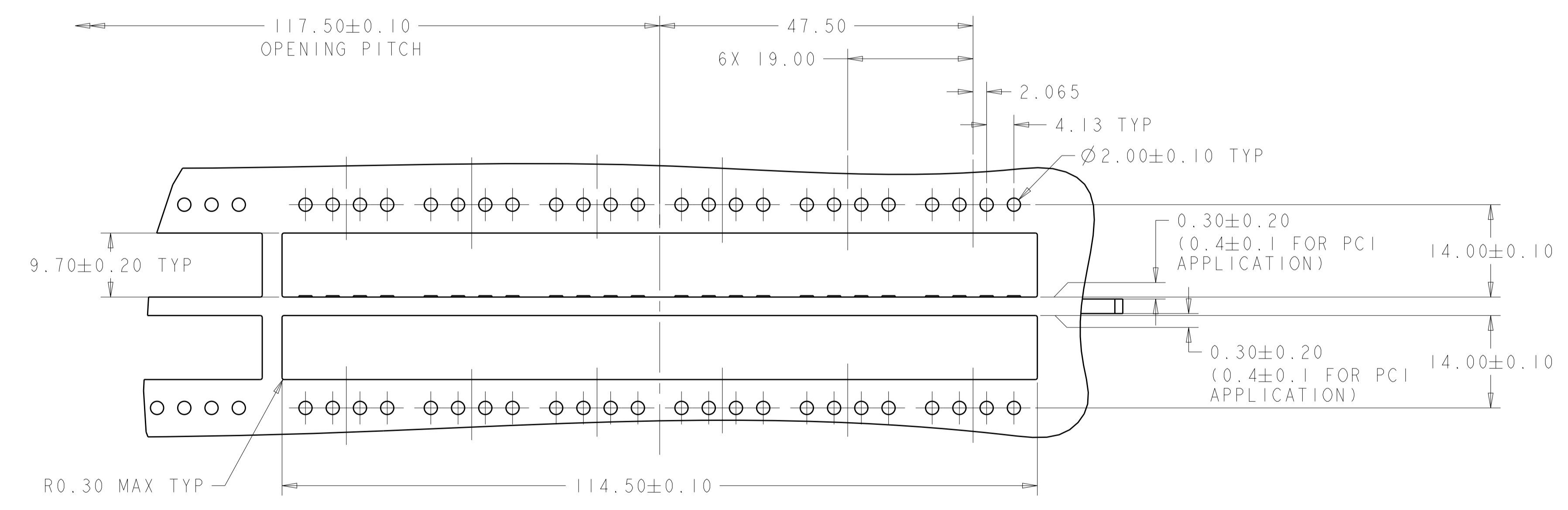
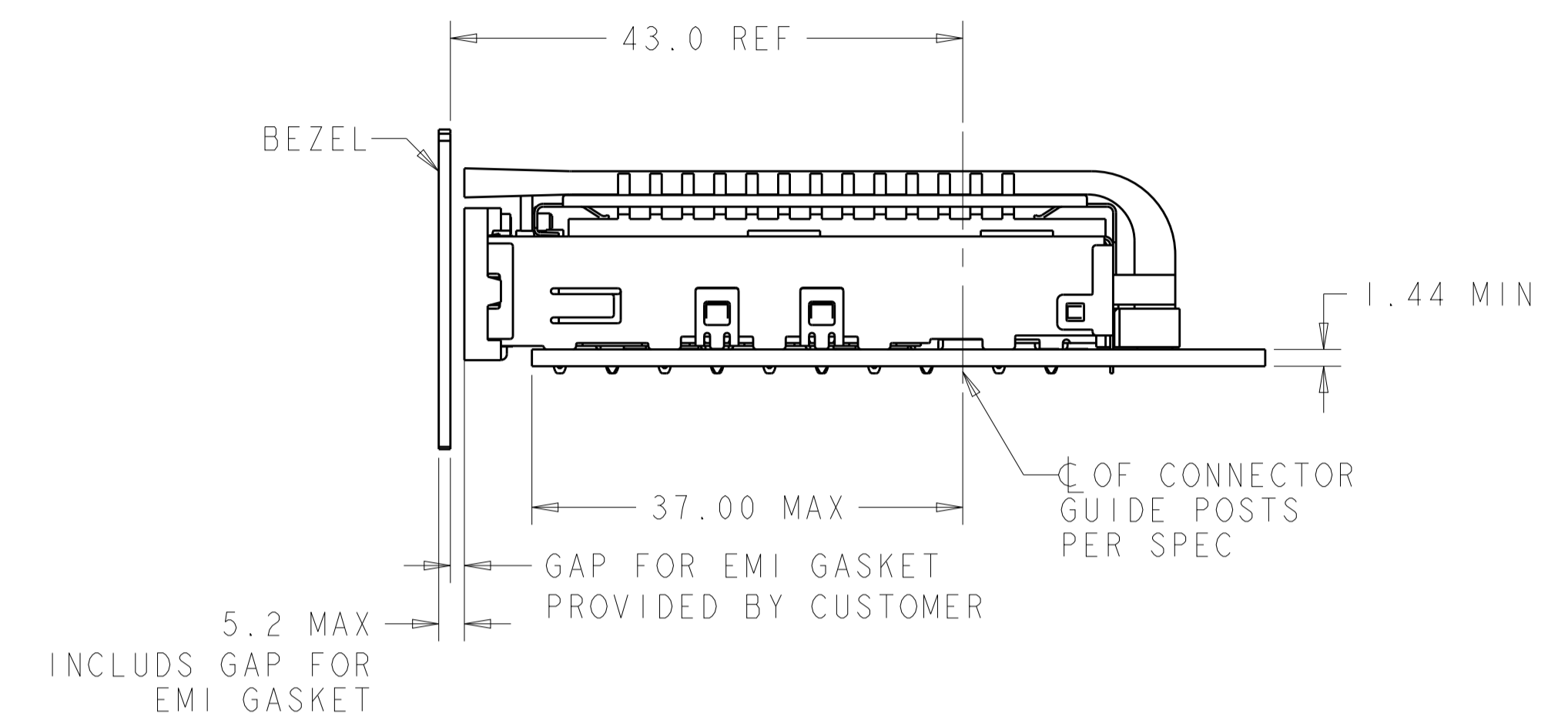
SCALE 3:1

THIS DRAWING IS A CONTROLLED DOCUMENT.		OWN JASON YANG 10APR2018	TE Connectivity
		CHK SEAN HAN 10APR2018	
DIMENSIONS:		APVD	NAME
mm	0 PLC ±0.25	PRODUCT SPEC	1X6 CAGE ASSEMBLY, BEHIND BEZEL,
	1 PLC ±0.25	108-19428	W/ HEAT SINKS, LIGHT PIPE
	2 PLC ±0.20	APPLICATION SPEC	SIZE CAGE CODE DRAWING NO
	3 PLC ±	114-32023	A100779C=2334626
	4 PLC ±	WEIGHT	RESTRICTED TO
	ANGLES ±		
MATERIAL	FINISH	CUSTOMER DRAWING	SCALE 3:1 SHEET 2 OF 6 REV A

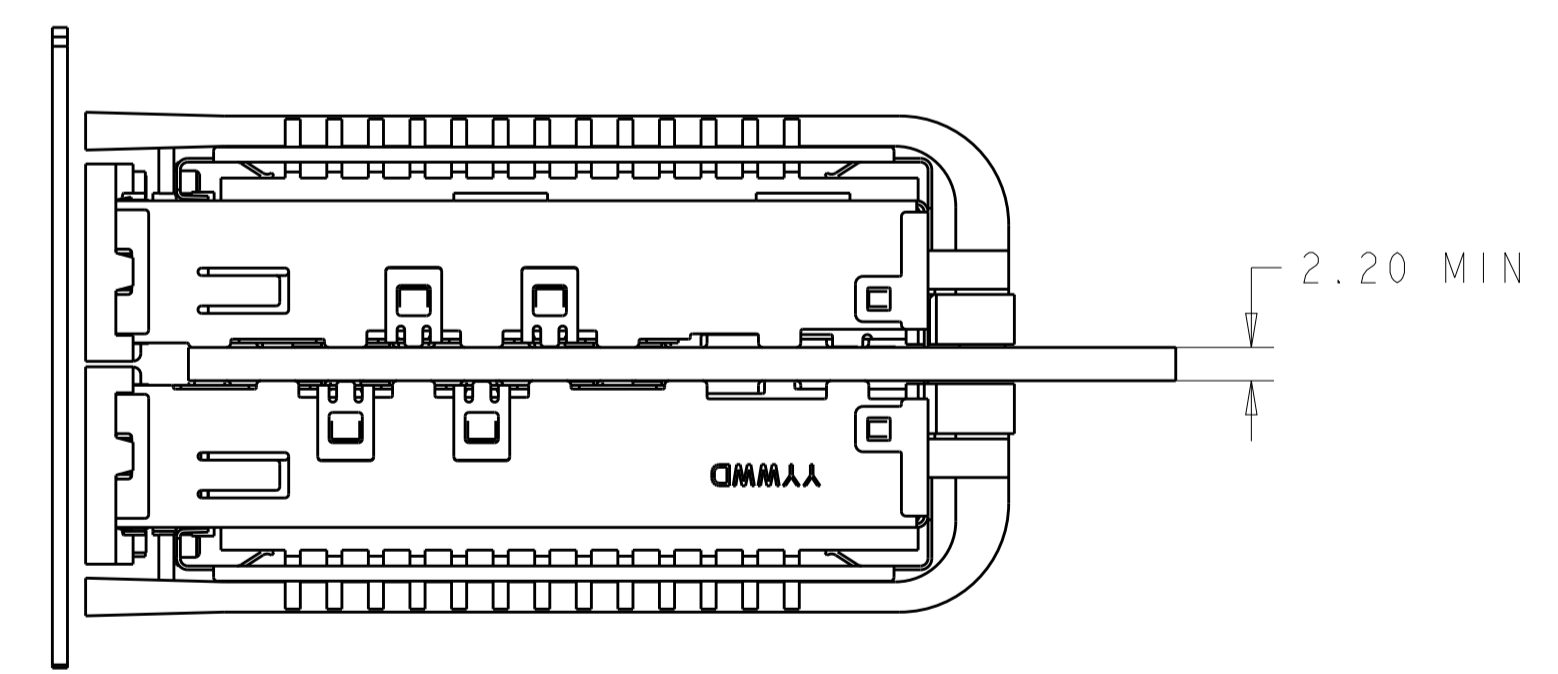
LOC	DIST	REVISIONS			
P	LTN	DESCRIPTION	DATE	DWN	APVD
GP	00	SEE SHEET 1	-	-	-



ONE SIDED CONFIGURATION  
 SCALE 2:1

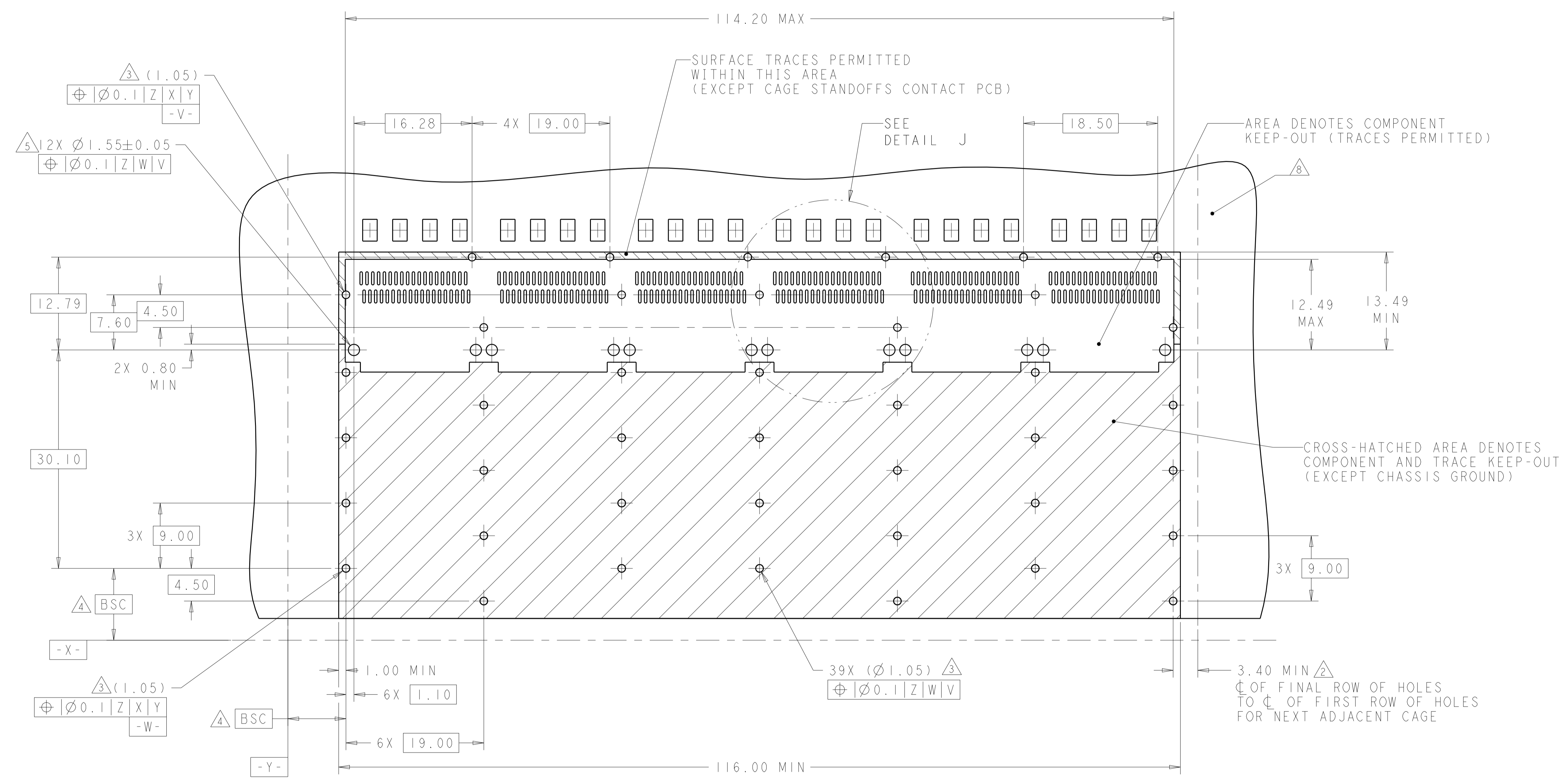


BELLY TO BELLY CONFIGURATION  
 SIMILAR WITH ONE SIDED EXCEPT WHERE NOTED  
 SCALE 2:1



THIS DRAWING IS A CONTROLLED DOCUMENT.		DWN: JASON YANG 10APR2018	TE Connectivity
		CHK: SEAN HAN 10APR2018	
DIMENSIONS:		APVD:	NAME:
mm	0 PLC ±0.25 1 PLC ±0.25 2 PLC ±0.20 3 PLC ± 4 PLC ± ANGLES ±	PRODUCT SPEC	1X6 CAGE ASSEMBLY, BEHIND BEZEL, W/ HEAT SINKS, LIGHT PIPE
MATERIAL:		FINISH:	SIZE: CAGE CODE DRAWING NO
			A100779C=2334626
		RESTRICTED TO:	
		CUSTOMER DRAWING	SCALE 3:1 SHEET 3 OF 6 REV A

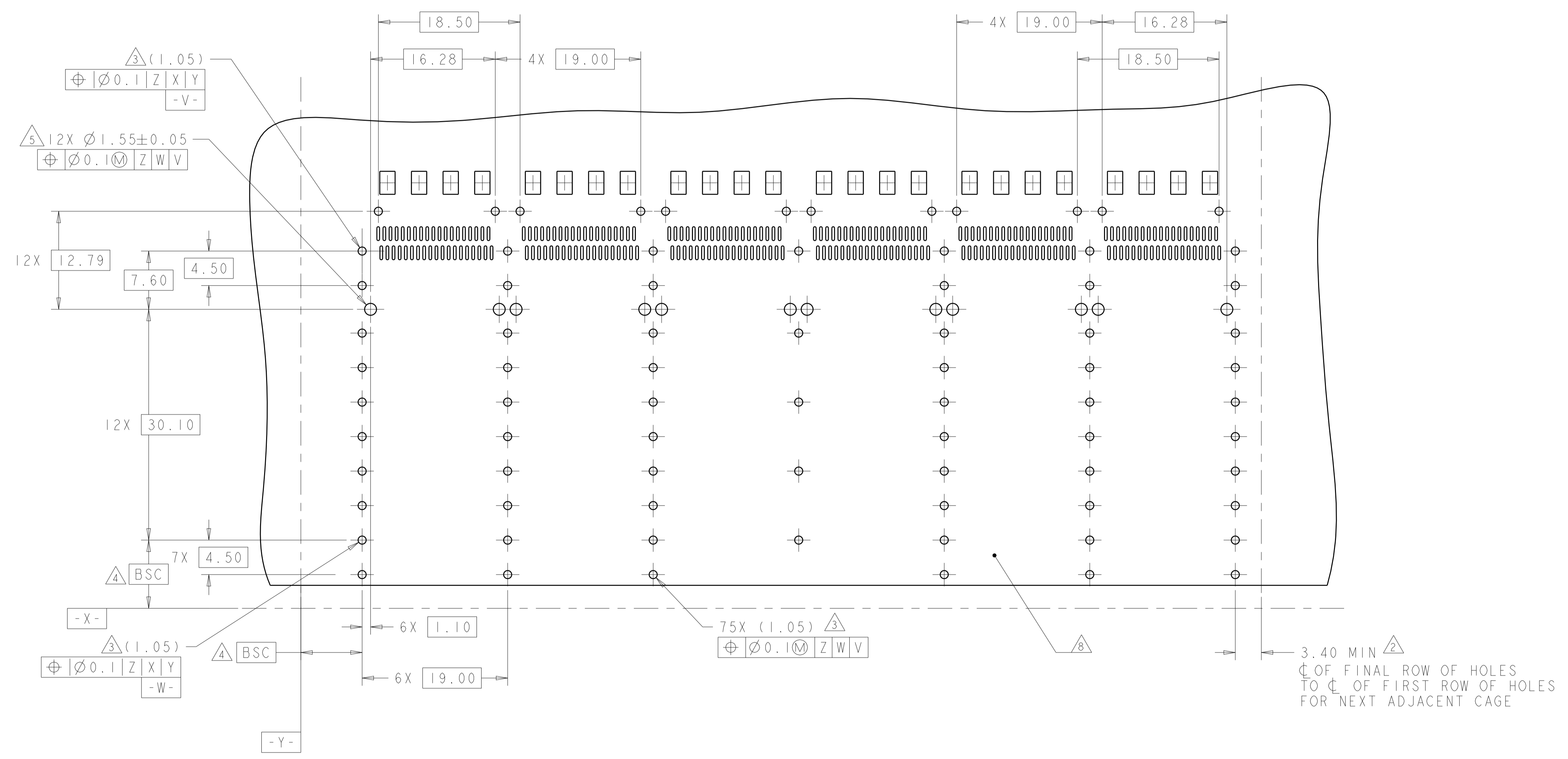
LOC	DIST	REVISIONS			
GP	00	REV	DATE	BY	APPD
-	-	SEE SHEET 1	-	-	-



RECOMMENDED PC BOARD LAYOUT  
 SINGLE SIDE MOUNT CONFIGURATION  
 TOLERANCE: ±0.05  
 SCALE 3:1

THIS DRAWING IS A CONTROLLED DOCUMENT.		DWN: JASON YANG 10APR2018 CHK: SEAN HAN 10APR2018 APVD:	TE Connectivity
DIMENSIONS: mm TOLERANCES UNLESS OTHERWISE SPECIFIED: 0 PLC ±0.25 1 PLC ±0.25 2 PLC ±0.20 3 PLC ± 4 PLC ± ANGLES ± FINISH:		PRODUCT SPEC: 108-19428 APPLICATION SPEC: 114-32023 WEIGHT:	
MATERIAL:		CUSTOMER DRAWING	SCALE: 4:1 SHEET: 4 OF 6 REV: A

LOC	DIST	REVISIONS			
GP	00	REV	DATE	BY	APPV
-	-	SEE SHEET 1	-	-	-



RECOMMENDED PC BOARD LAYOUT  
 BELLY TO BELLY CONFIGURATION  
 UNSPECIFIED DIMENSIONS ARE SAME AS SINGLE SIDE LAYOUT  
 TOLERANCE: ±0.05  
 SCALE: 3:1

THIS DRAWING IS A CONTROLLED DOCUMENT.		DWN: JASON YANG 10APR2018	TE Connectivity
DIMENSIONS: mm		CHK: SEAN HAN 10APR2018	
TOLERANCES UNLESS OTHERWISE SPECIFIED:		APVD:	NAME: 1X6 CAGE ASSEMBLY, BEHIND BEZEL, W/ HEAT SINKS, LIGHT PIPE
0 PLC ±0.25	1 PLC ±0.25	PRODUCT SPEC: 108-19428	SIZE: A1
2 PLC ±0.20	3 PLC ±	APPLICATION SPEC: 114-32023	CAGE CODE: 2334626
4 PLC ±	ANGLES ±	WEIGHT: -	RESTRICTED TO: -
MATERIAL: -	FINISH: -	CUSTOMER DRAWING	SCALE: 4:1 SHEET 5 OF 6 REV A