

4

3

2

1

THIS DRAWING IS UNPUBLISHED RELEASED FOR PUBLICATION - ,2018.

© COPYRIGHT - 2017 by TE Connectivity Germany GmbH ALL RIGHTS RESERVED.

REVISIONS

P	LTR	DESCRIPTION	DATE	DWN	APVD
	A2	REVISED PER ECR-19-000980	24JAN2019	SR	JDB

- △ Material:  
 COVER : LCP, black, UL-94-V0  
 HEADER : Black WH-9100, UL-94-V0  
 LEAD FRAME: C5191-HV170-190 °  
 SOLDER PIN PLATING: 7 μm (275 μinch) TIN 1.27 μm (50 μinch) NICKEL OVER ALL
- 2 THE PART IS RECOMMENDED FOR REFLOW SOLDERING PROCESS PEAK  
 SOLDERING: TEMPERATURE MAX. +260 °C/-5 °C, MAX. 30s
- 3 OPERATING TEMPERATURE: T= -40 °C TO +105 °C
- 4 STORAGE TEMPERATURE: T= -40 °C TO +85 °C
- 5 MEET IEEE 802.3ab REQUIRMENT
- △ UNLESS OTHERWISE SPECIFIED, SEE TABLE FOR ALL DIMENSIONS TOLERANCES
- 7 PACKAGING: REEL (T+R) ACCORDING TO PACKAGING SPECIFICATION 107-18128

SUGGESTED PCB LAYOUT

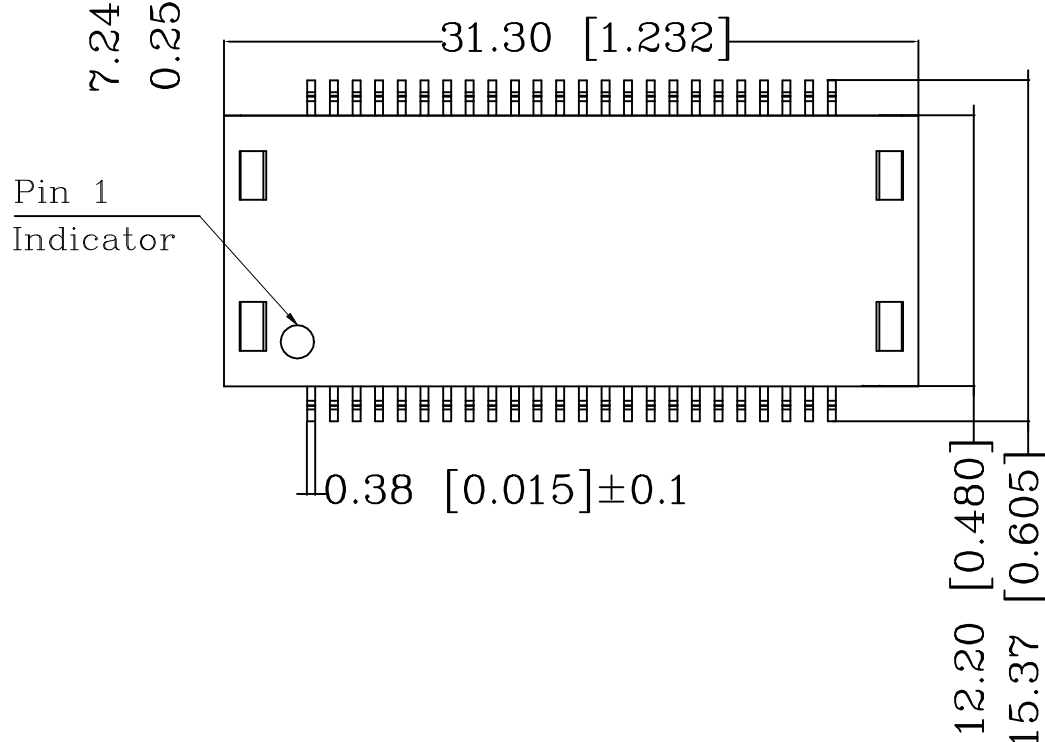
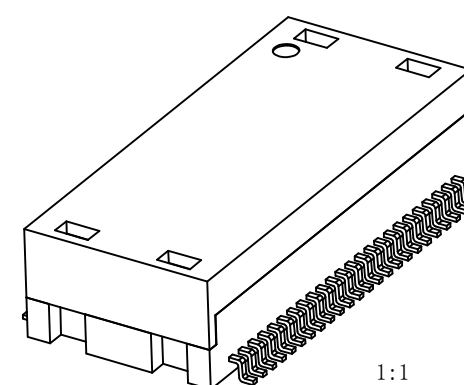
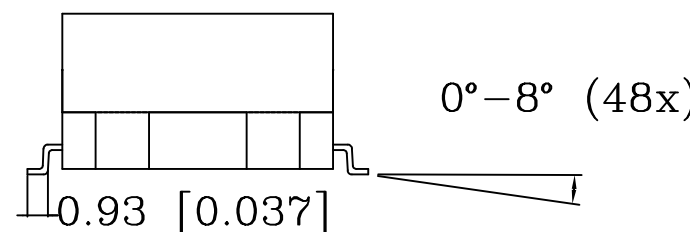
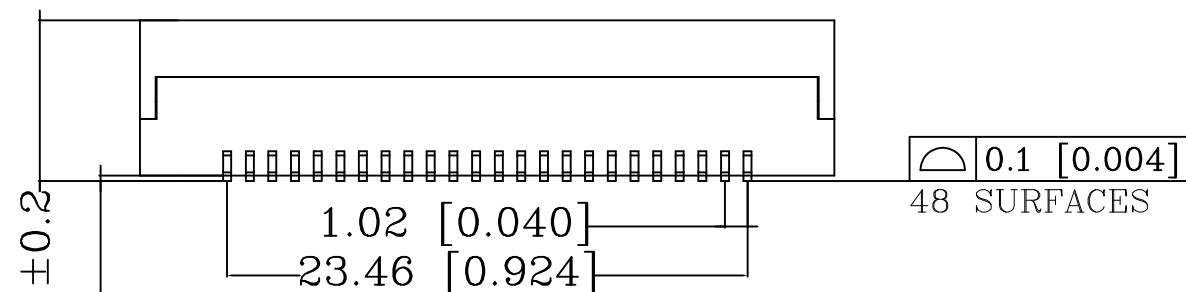
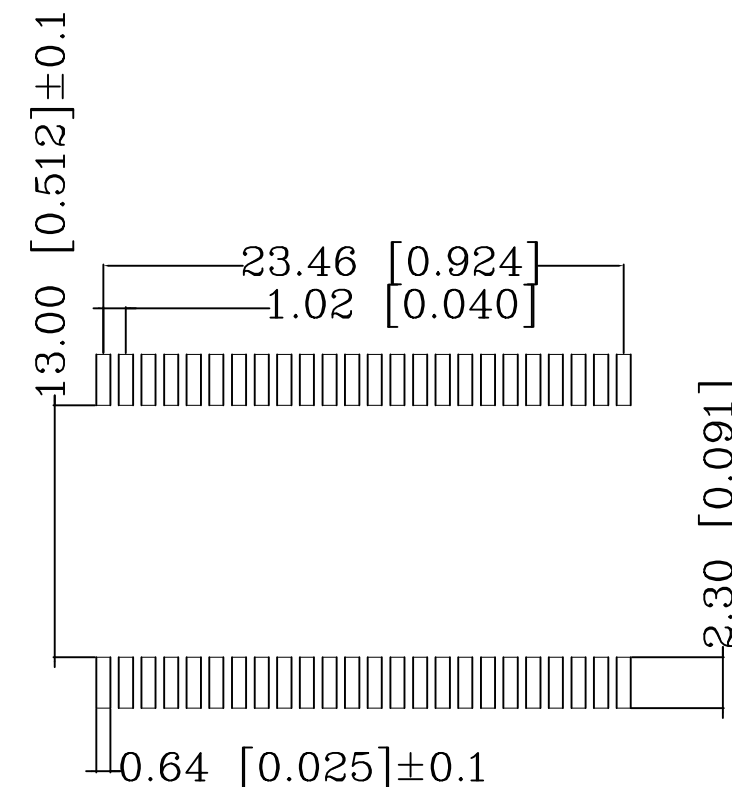


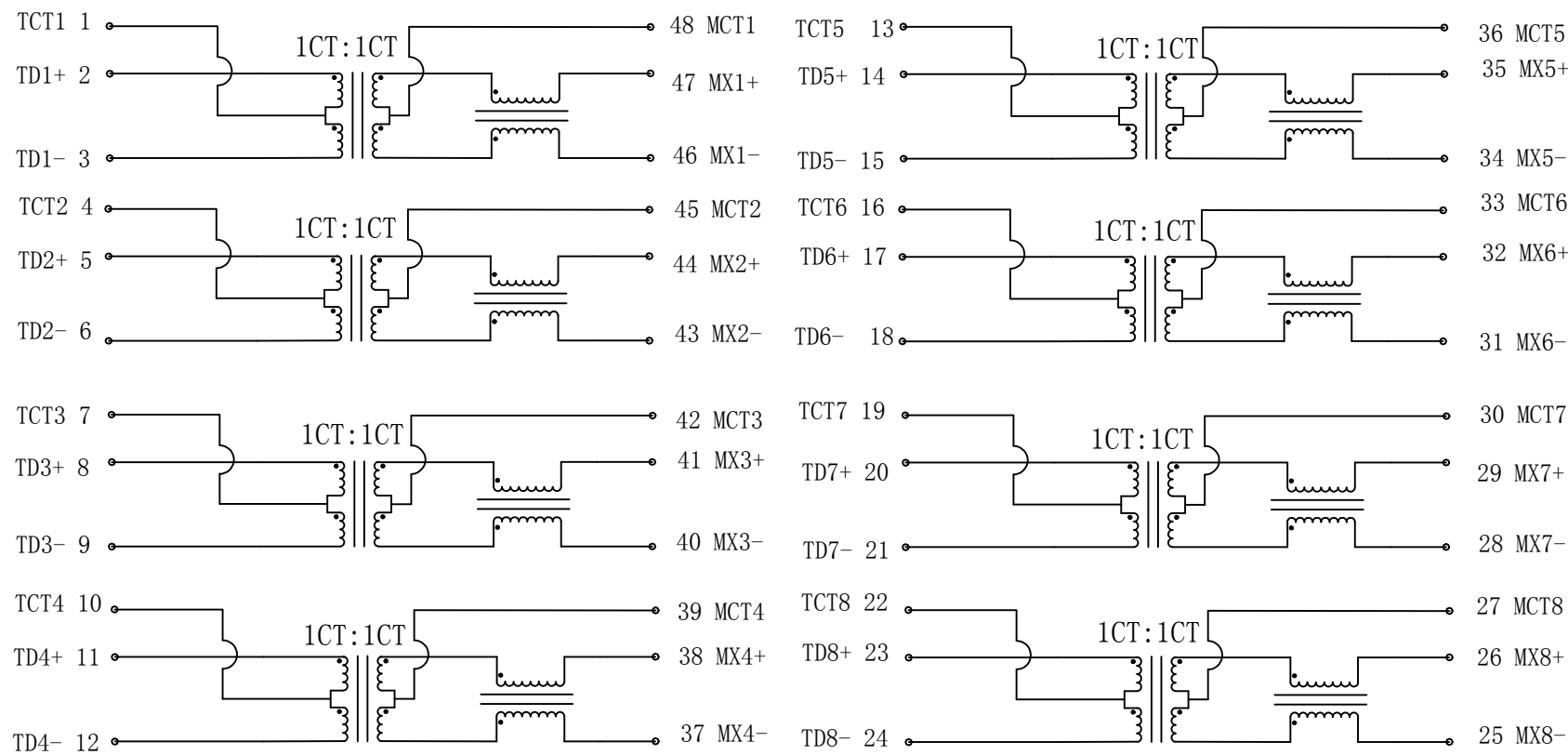
TABLE OF TOLERANCE (mm)	
RANGE	TOLERANCE
0-10	±0.15
>10-40	±0.25
>40-70	±0.30
>70	±0.40

THIS DRAWING IS A CONTROLLED DOCUMENT.		DWN	05JUL2018		 TE Connectivity
		CHK	05JUL2018		
		APVD	05JUL2018		
		NAME	DISCR.ETH.MAG. 1G DUAL SMT		
DIMENSIONS:	TOLERANCES UNLESS OTHERWISE SPECIFIED:	A.C. NGOUMGANG		PRODUCT SPEC	
mm [INCHES]	0 PLC ± -	J. DE BRUIJN		108-94693	
	1 PLC ± -	APPLICATION SPEC		114-94555	
	2 PLC ± -	WEIGHT		A3 00779	
	3 PLC ± -	CUSTOMER DRAWING		C=2337824-2	
	4 PLC ± -	SCALE		3:1	
	ANGLES ± -	SHEET		1 of 2	
MATERIAL	FINISH	RESTRICTED TO		REV	
△ 1	△ 1	-		A2	

REVISIONS

P	LTR	DESCRIPTION	DATE	DWN	APVD
-	-	SEE SHEET 1	-	-	-

CIRCUIT DIAGRAM



Electrical Specifications @ 25 °C (Unless other specified meet IEEE 802.3 Specification)

Turn Ratio	1CT:1CT ±2%	
Inductance (OCL) @100kHz/0.1V with 8mA DC Bias	350 µH min.	
Insertion Loss	0.1-100MHz	-1 dB max.
Return Loss (Zout = 100 OHMS)	1-30MHz	-18 dB min.
	40MHz	-14.4 dB min.
	50MHz	-13.1 dB min.
	80MHz	-12 dB min.
Crosstalk	100MHz	-10 dB min.
	30MHz	-40 dB min.
	60MHz	-35 dB min.
DCMR	100MHz	-30 dB min.
	30MHz	-40 dB min.
	60MHz	-35 dB min.
Isolation Voltage (Input - Output)	1500 Vrms	



CONTROL CODE  
DATE CODE  
"0213"  
YY-YEAR  
WW-WEEK

THIS DRAWING IS A CONTROLLED DOCUMENT.

DIMENSIONS: mm [INCHES]	TOLERANCES UNLESS OTHERWISE SPECIFIED:
	0 PLC ± - 1 PLC ± - 2 PLC ± - 3 PLC ± - 4 PLC ± - ANGLES ± -
MATERIAL	FINISH

DWN	05JUL2018
CHK	05JUL2018
A.C. NGOUMGANG	
APVD	05JUL2018
J. DE BRUIJN	
PRODUCT SPEC	
108-94693	
APPLICATION SPEC	
114-94555	
WEIGHT	
CUSTOMER DRAWING	



NAME			
DISCR.ETH.MAG. 1G DUAL SMT			
SIZE	CAGE CODE	DRAWING NO	RESTRICTED TO
A3	00779	2337824-2	-
SCALE		SHEET	REV
3:1		2 of 2	A2