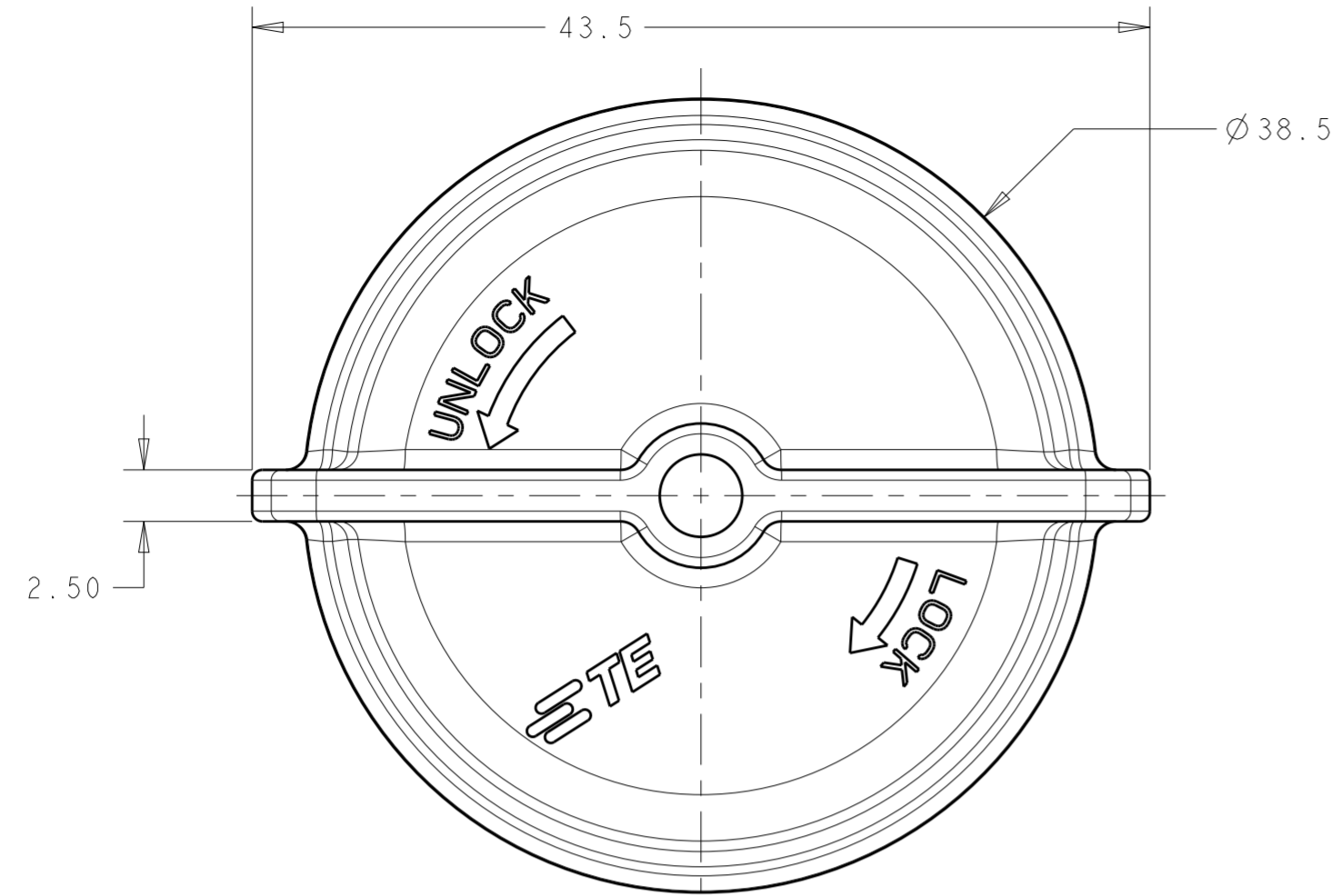


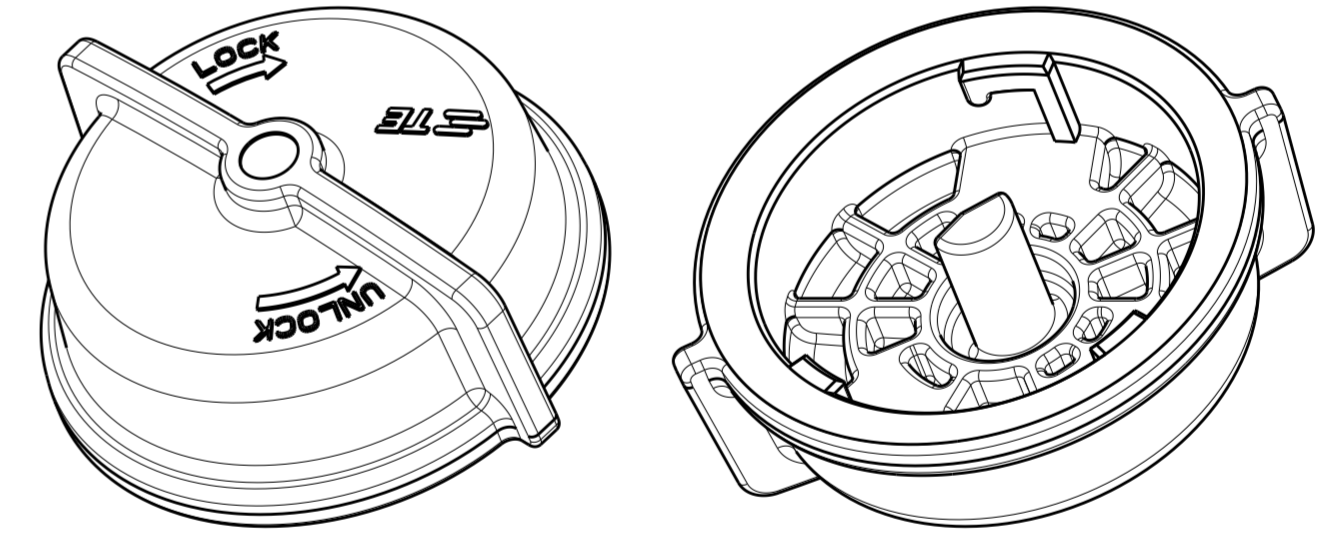
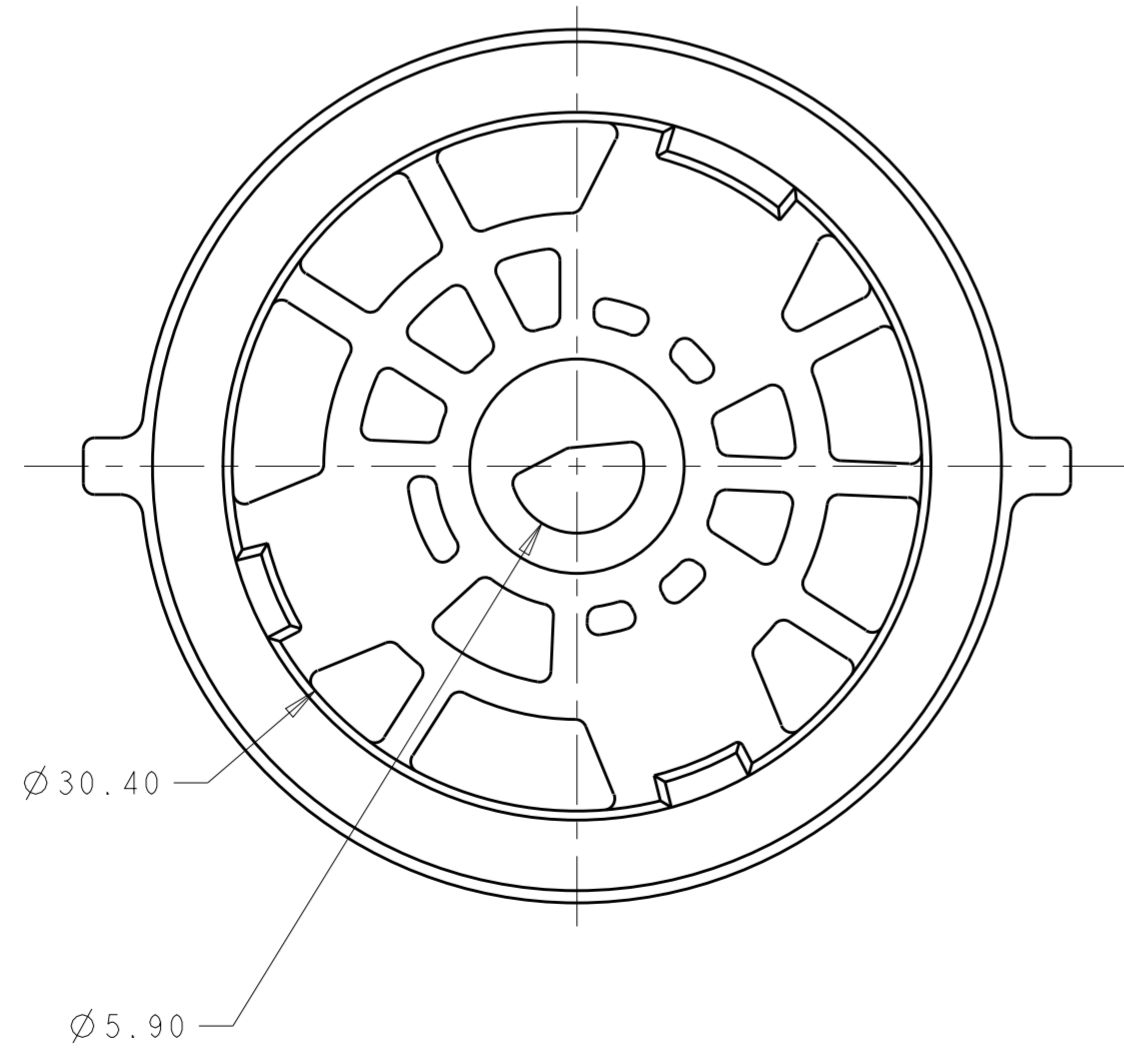
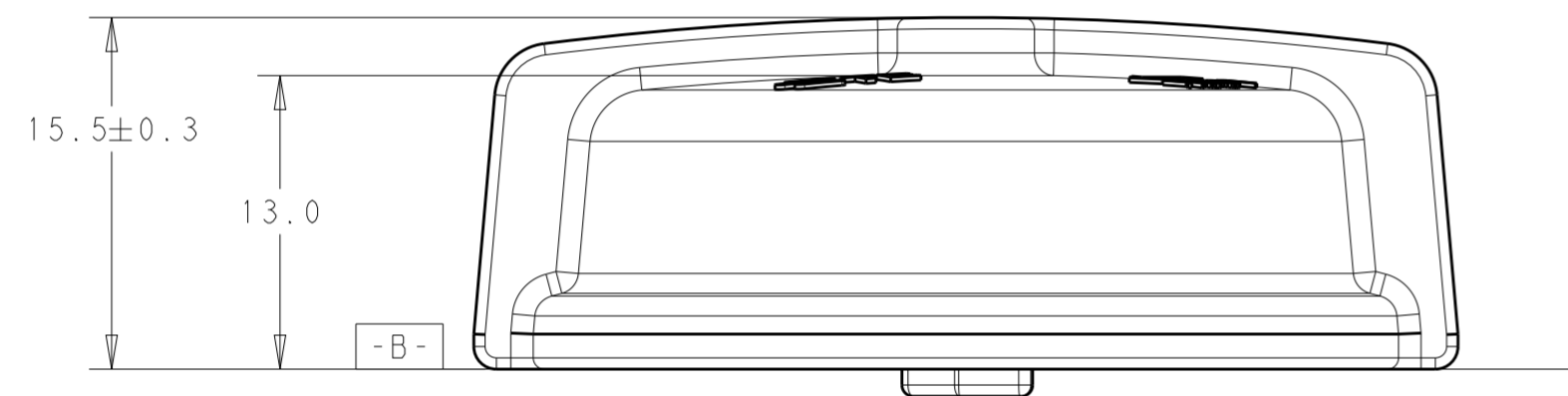
THIS DRAWING IS UNPUBLISHED. RELEASED FOR PUBLICATION  
 © COPYRIGHT copyright.dBTe- ALL RIGHTS RESERVED.

REVISIONS				
P	LTR	DESCRIPTION	DATE	APVD
A		REVISED PER ECR-20-013028	14SEP2020	MM DD



NOTES:

- 1 MATERIALS AND FINISH:  
-SEALING CAP: PBT, COLOR: SEE TABLE
- 2. MUST COMPLY WITH DIRECTIVE 2002/95/EC (ROHS)
- 3. MATES WITH 2343403-X RECEPTACLES.



WHITE	2341474-3
LIGHT GRAY	2341474-2
DARK GRAY	2341474-1
COLOR	PART NO.

DIMENSIONS:		TOLERANCES UNLESS OTHERWISE SPECIFIED:		DWN		CHK		APVD		NAME	
mm		0 PLC	±	C. DAILY	04APR2016	E. HOWARD		-		SEALING CAP, KEYED VERSION	
		1 PLC	±0.2							LUMAWISE ENDURANCE S	
		2 PLC	±0.15							-	
		3 PLC	±							SIZE	
		4 PLC	±							CAGE CODE	
		ANGLES	±2							DRAWING NO	
		FINISH	-							RESTRICTED TO	
			-							-	
			-							SCALE	
			-							SHEET	
			-							OF	
			-							1	
			-							REV	
			-							A1	