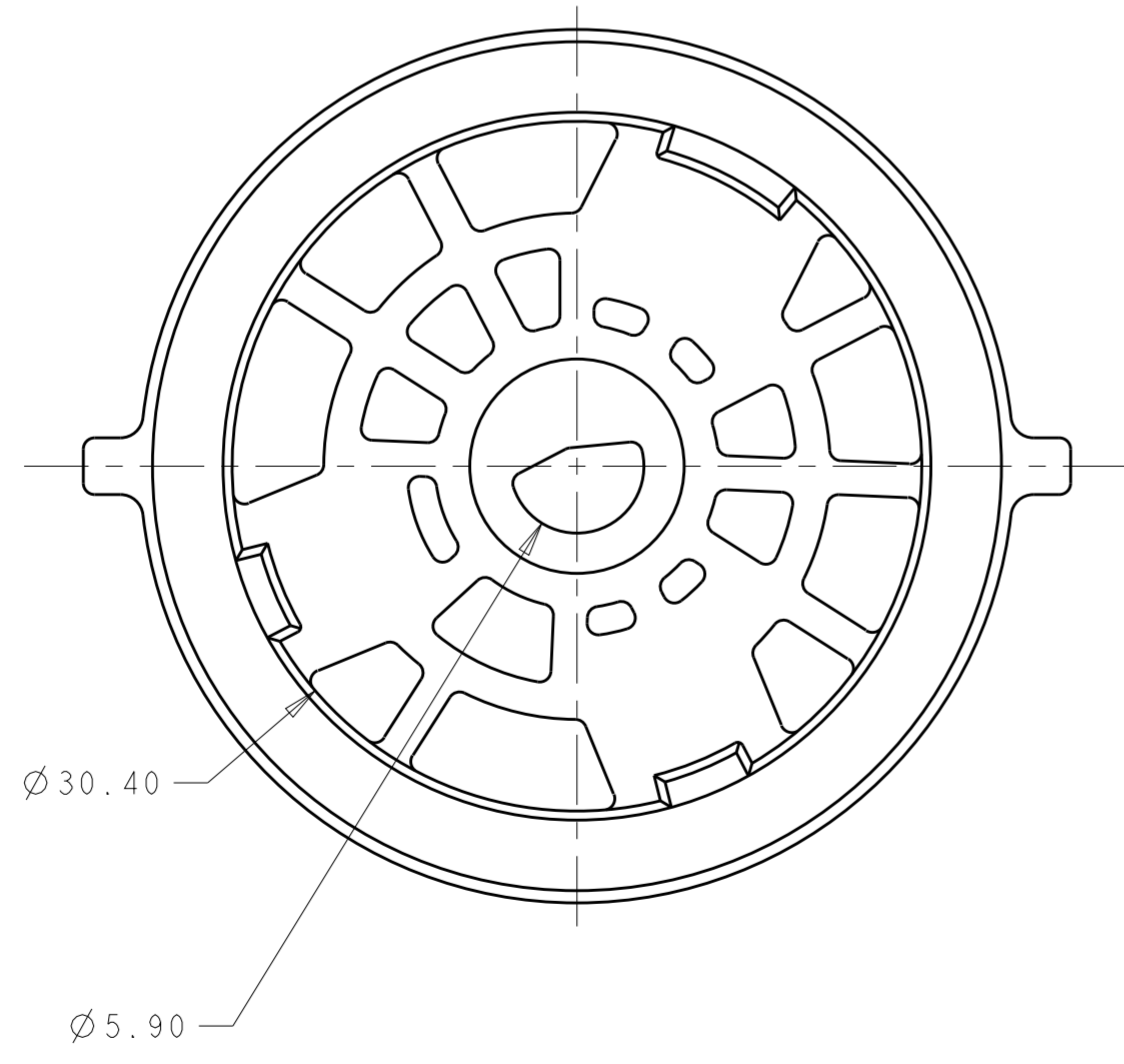
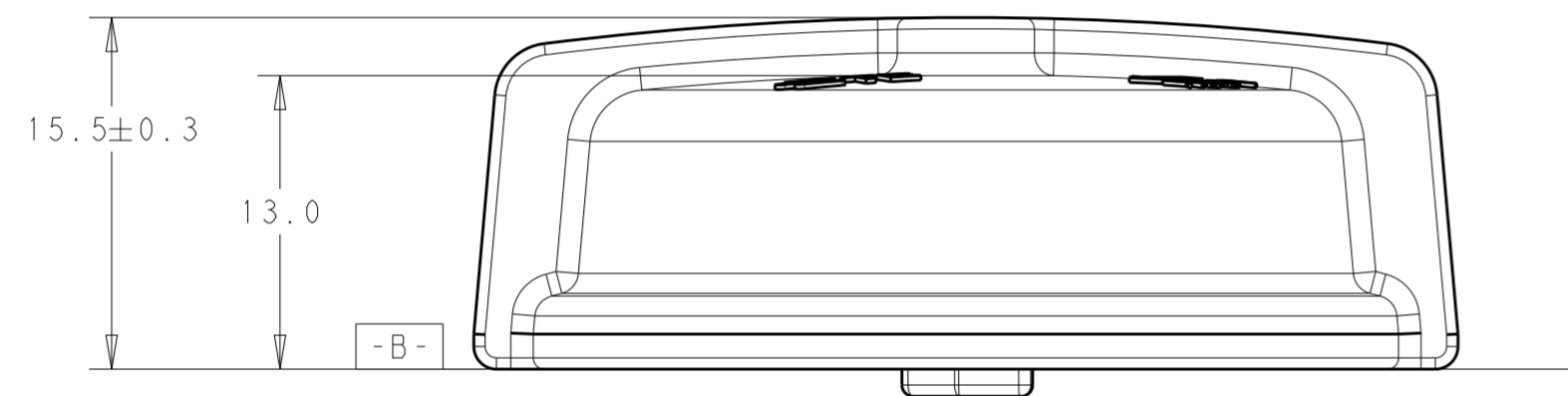
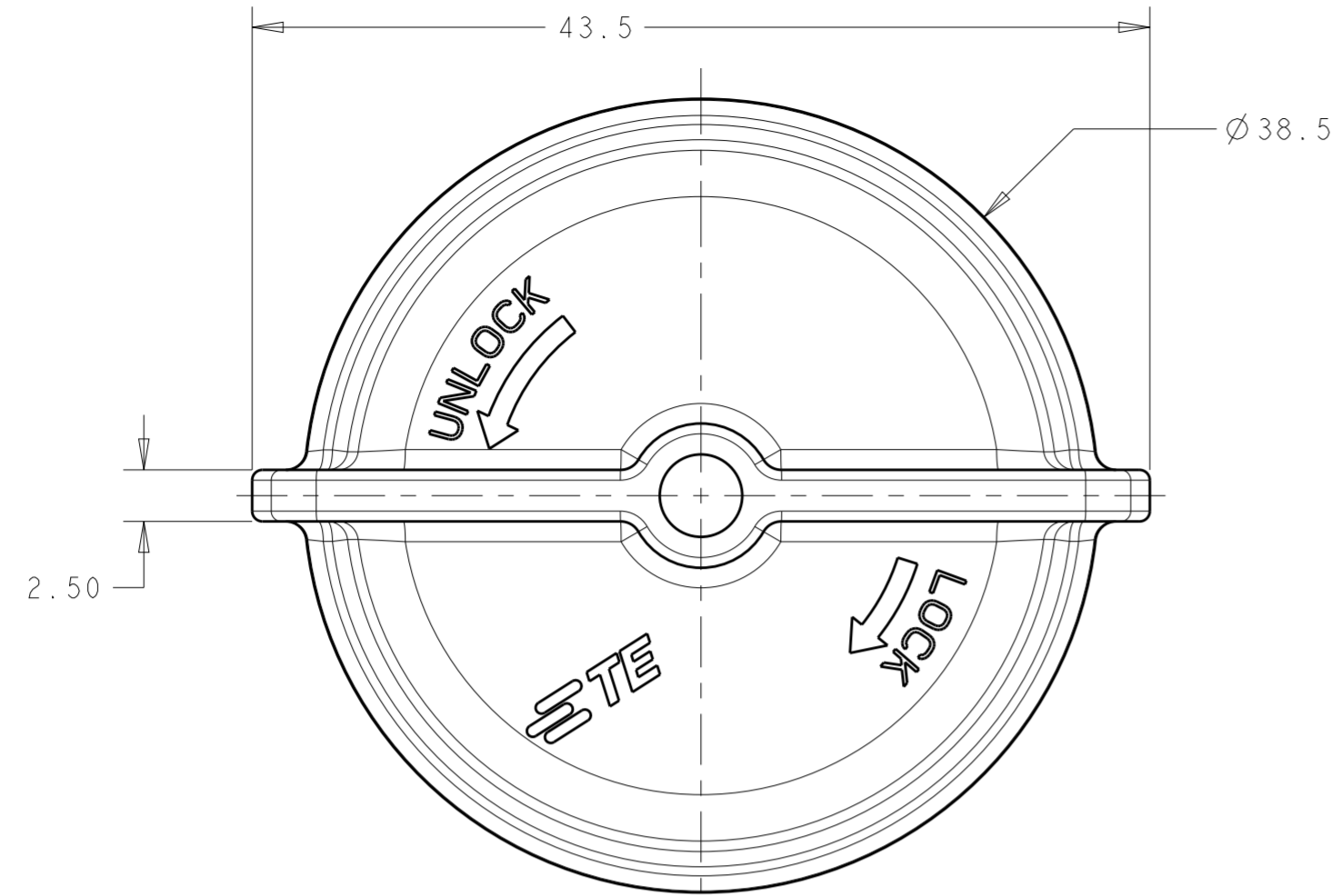


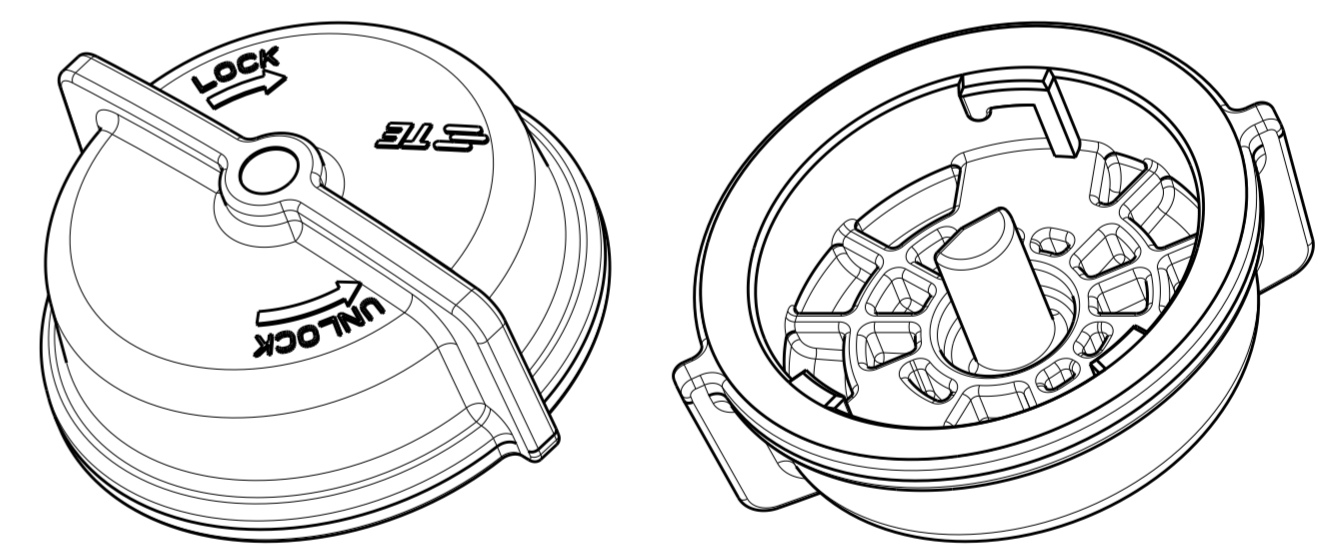
THIS DRAWING IS UNPUBLISHED. RELEASED FOR PUBLICATION  
 © COPYRIGHT copyright.d8te- ALL RIGHTS RESERVED.

REVISIONS				
P	LTR	DESCRIPTION	DATE	APVD
A		REVISED PER ECR-20-013028	14SEP2020	MM DD



NOTES:

- 1 MATERIALS AND FINISH:  
-SEALING CAP: PBT, COLOR: SEE TABLE
- 2. MUST COMPLY WITH DIRECTIVE 2002/95/EC (ROHS)
- 3. MATES WITH 2343403-X RECEPTACLES.



WHITE	2341474-3
LIGHT GRAY	2341474-2
DARK GRAY	2341474-1
COLOR	PART NO.

THIS DRAWING IS A CONTROLLED DOCUMENT.		DWN C. DAILY 04APR2016	<b>STE</b> TE Connectivity	
		CHK E. HOWARD 04APR2016		
DIMENSIONS:	TOLERANCES UNLESS OTHERWISE SPECIFIED:	APVD -	NAME SEALING CAP, KEYED VERSION LUMAWISE ENDURANCE S	
mm	0 PLC ± 1 PLC ±0.2 2 PLC ±0.15 3 PLC ± 4 PLC ± ANGLES ±2 FINISH	PRODUCT SPEC 108-133073	SIZE A2	
MATERIAL	-	APPLICATION SPEC 114-133074	CAGE CODE -	DRAWING NO. G-2341474
		WEIGHT -	RESTRICTED TO -	
		CUSTOMER DRAWING	SCALE 5:1	SHEET 1 OF 1
				REV A1