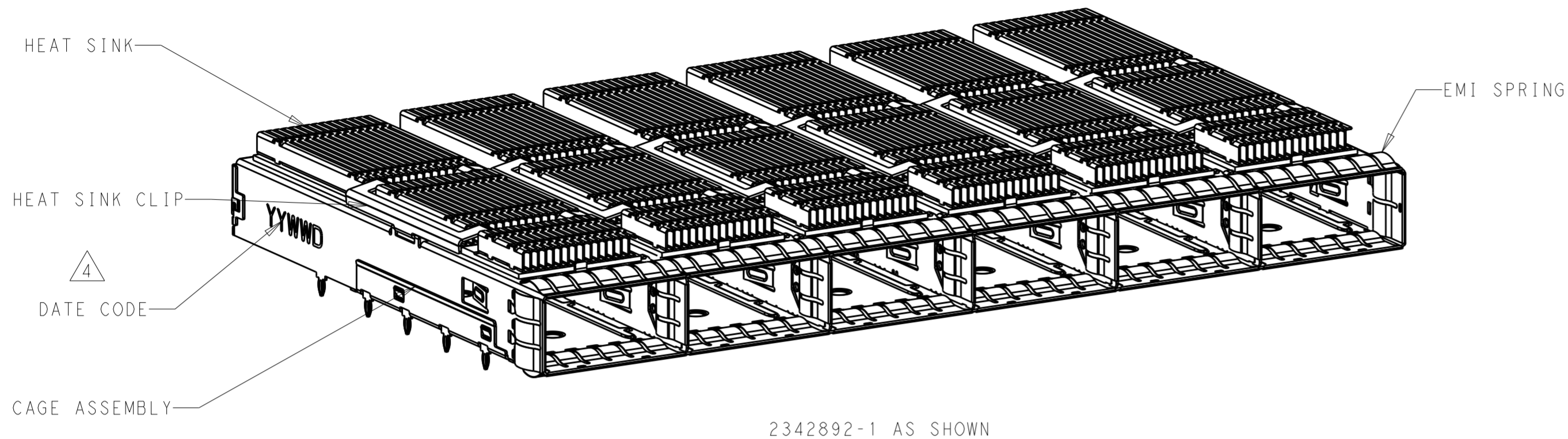


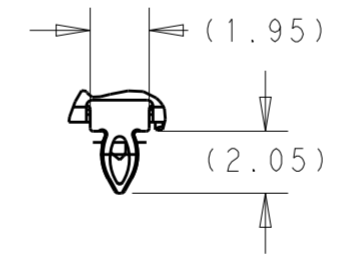
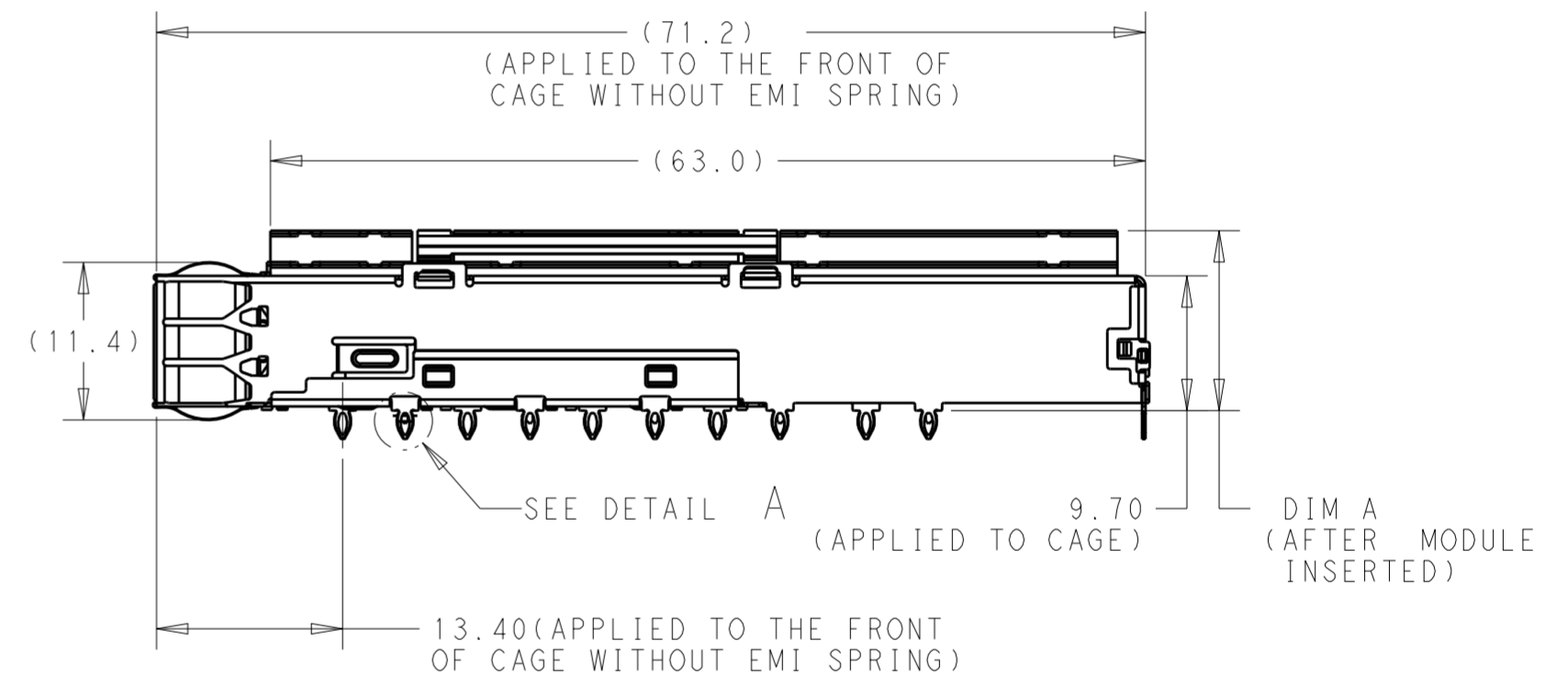
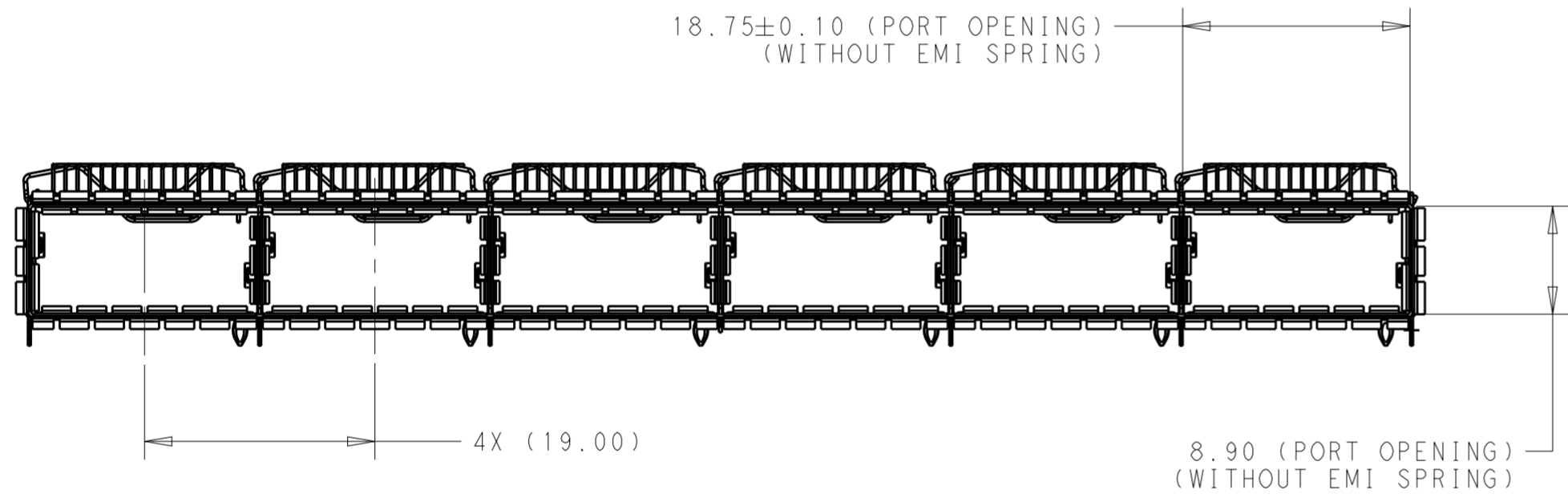
THIS DRAWING IS UNPUBLISHED. RELEASED FOR PUBLICATION 20
 © COPYRIGHT 20 BY - ALL RIGHTS RESERVED.

REVISIONS				
P	LTR	DESCRIPTION	DATE	APVD
1		INITIAL RELEASE	23AUG2018	SH SH
2		ADDED DIMENSION FOR PLUGGED IN	09NOV2018	SH SH
A		INITIAL RELEASE	12JUN2019	SH SH



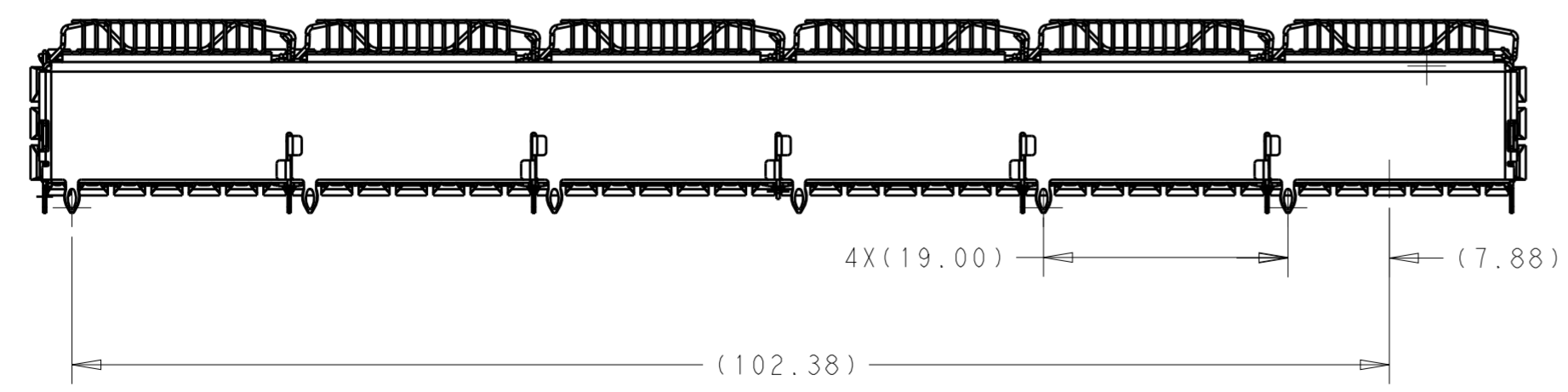
- 1 CAGE ASSEMBLY: STAINLESS STEEL
HEAT SINK: ALUMINUM/NICKEL PLATED
HEAT SINK CLIP: STAINLESS STEEL
EMI SPRING: COPPER ALLOY/ NICKEL PLATED
- 2 REFERENCE APPLICATION SPECIFICATION 114-60025 FOR RECOMMENDED DRILL HOLE DIAMETER AND PLATING THICKNESS. BOARD LAYOUT PER THIS PRINT.
- 3 DATUM AND BASIC DIMENSION ESTABLISHED BY CUSTOMER
- 4 DATE CODE(YYWWD) MARKED APPROXIMATELY AS SHOWN.
- 5. MATES WIHT QSFP-DD MSA COMPATIBLE TRANSCEIVER.
- 6. MINIMUM PC BOARD THICKNESS:
SINGLE SIDED: 1.57 MIN
DOUBLE SIDED: 3.00 MIN

2342892-1 AS SHOWN



2342892-1 AS SHOWN

DETAIL A
SCALE 4:1



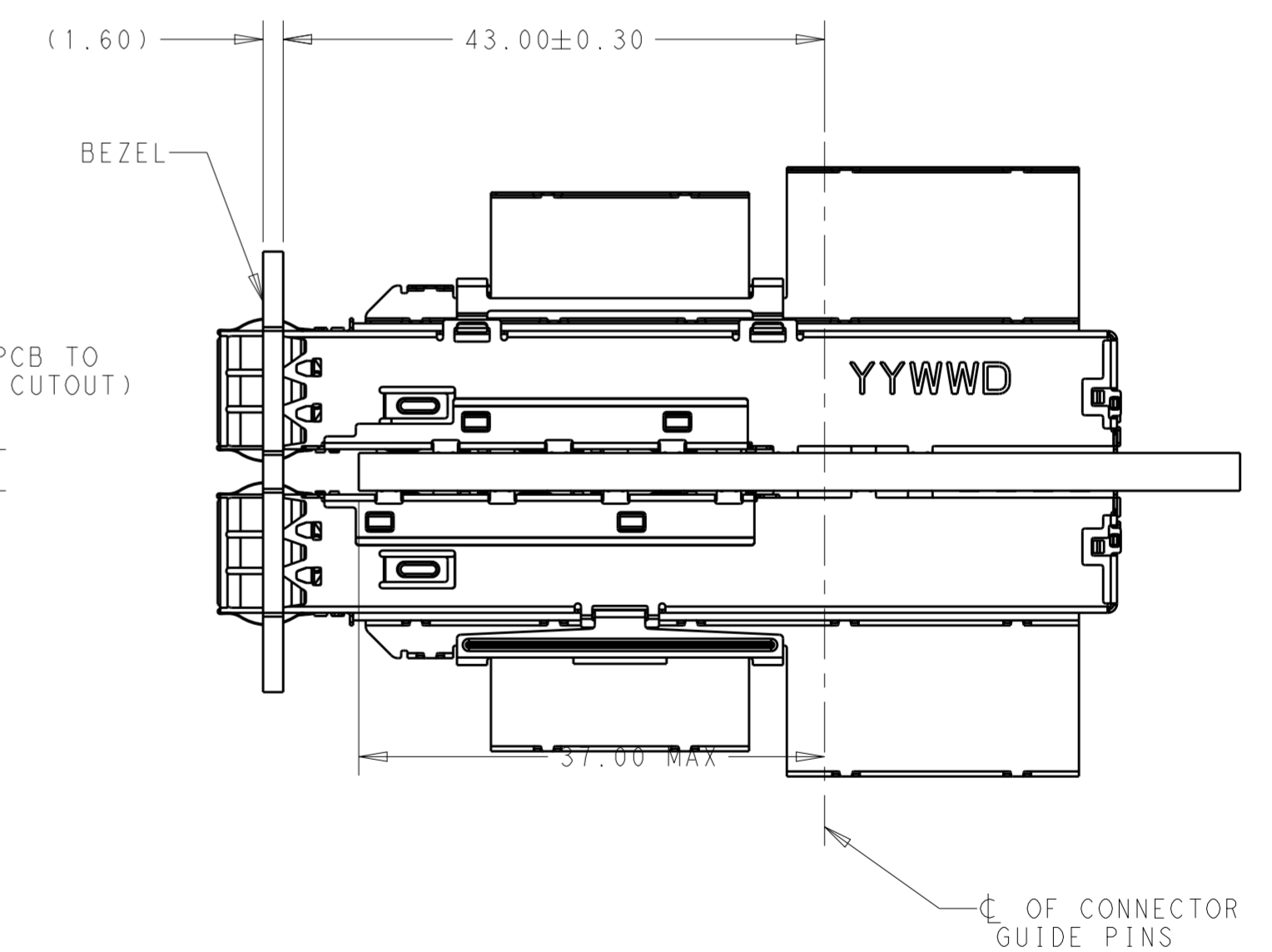
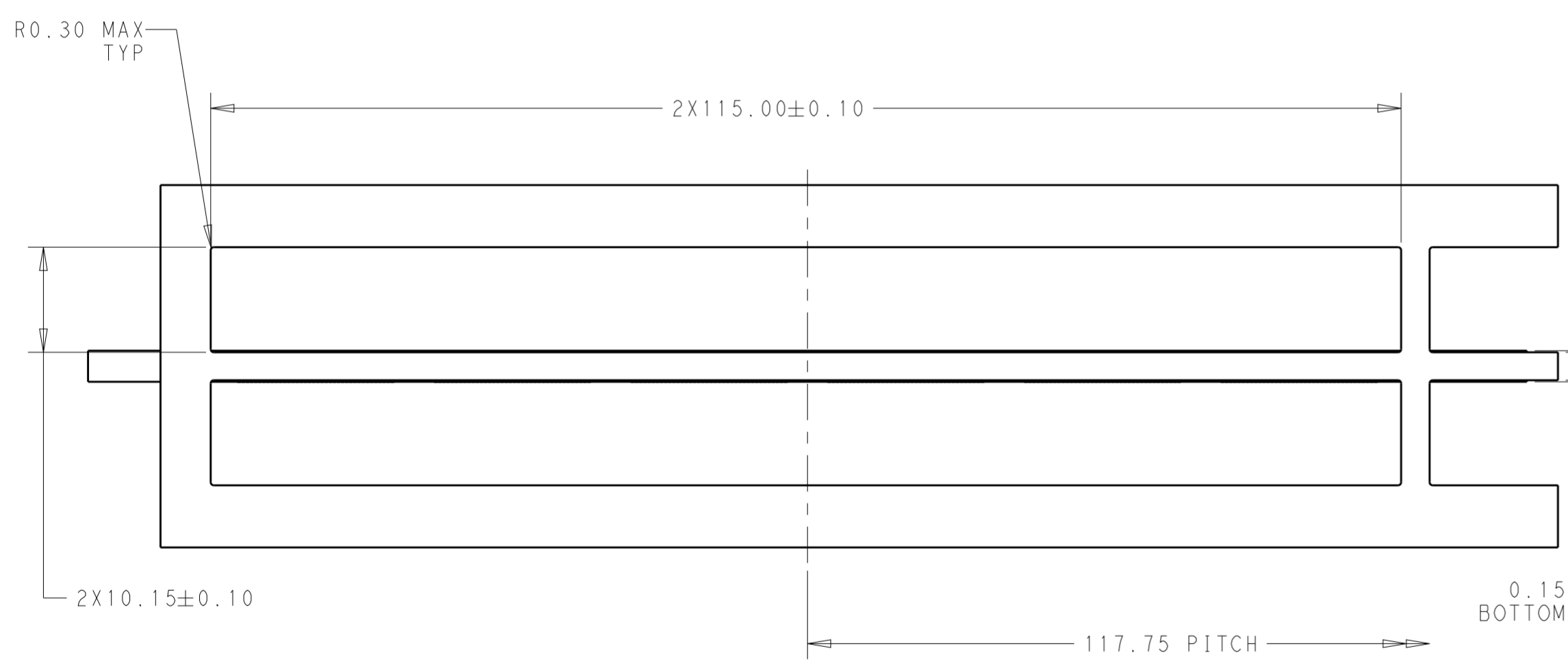
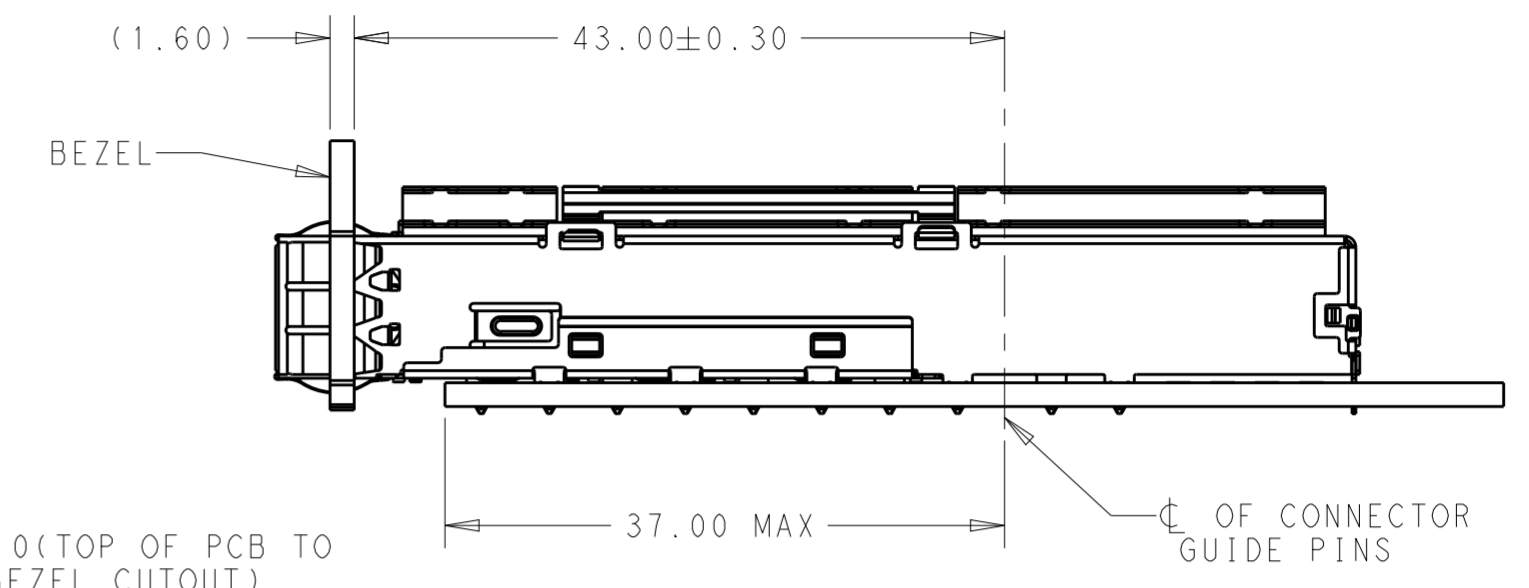
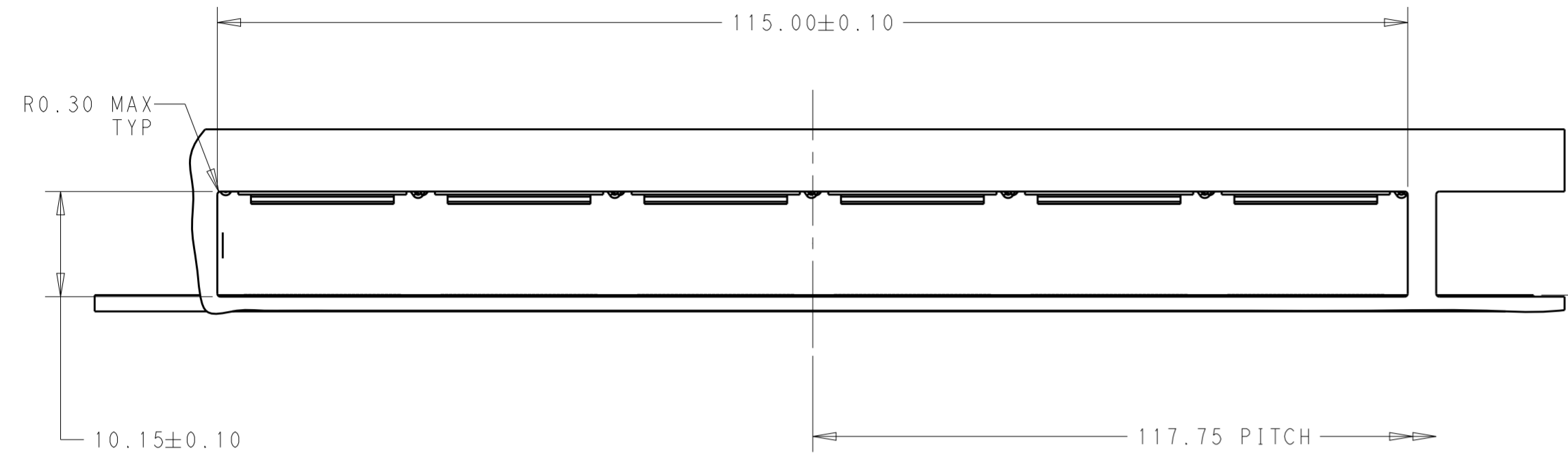
SCALE 2:1


HS SPECIFICATION	DIM A	PART NUMBER	DESCRIPTION	ITEM
NET	23.00	2342892-3	CAGE ASSY WITH NET HS	3
SAN	16.00	2342892-2	CAGE ASSY WITH SAN HS	2
PCI	13.70	2342892-1	CAGE ASSY WITH PCI HS	1

THIS DRAWING IS A CONTROLLED DOCUMENT.		DWN 23AUG2018 STEPHEN HE	TE Connectivity	NAME		
DIMENSIONS:		CHK 23AUG2018 SEAN HAN		CAGE ASSEMBLY WIHT HEAT SINK FOR GM		
TOLERANCES UNLESS OTHERWISE SPECIFIED:		APVD 23AUG2018 SEAN HAN		QSFP-DD 1X6 ZIPPER		
mm	0 PLC ±0.25 1 PLC ±0.25 2 PLC ±0.25 3 PLC ± 4 PLC ±	PRODUCT SPEC	SIZE	CAGE CODE	DRAWING NO	RESTRICTED TO
MATERIAL	ANGLES ±1 FINISH	APPLICATION SPEC	A2	-	©-2342892	-
		WEIGHT	SCALE 1:1		SHEET 1 OF 5	REV A
		CUSTOMER DRAWING				

THIS DRAWING IS UNPUBLISHED. RELEASED FOR PUBLICATION 20
 © COPYRIGHT 20 BY - ALL RIGHTS RESERVED.

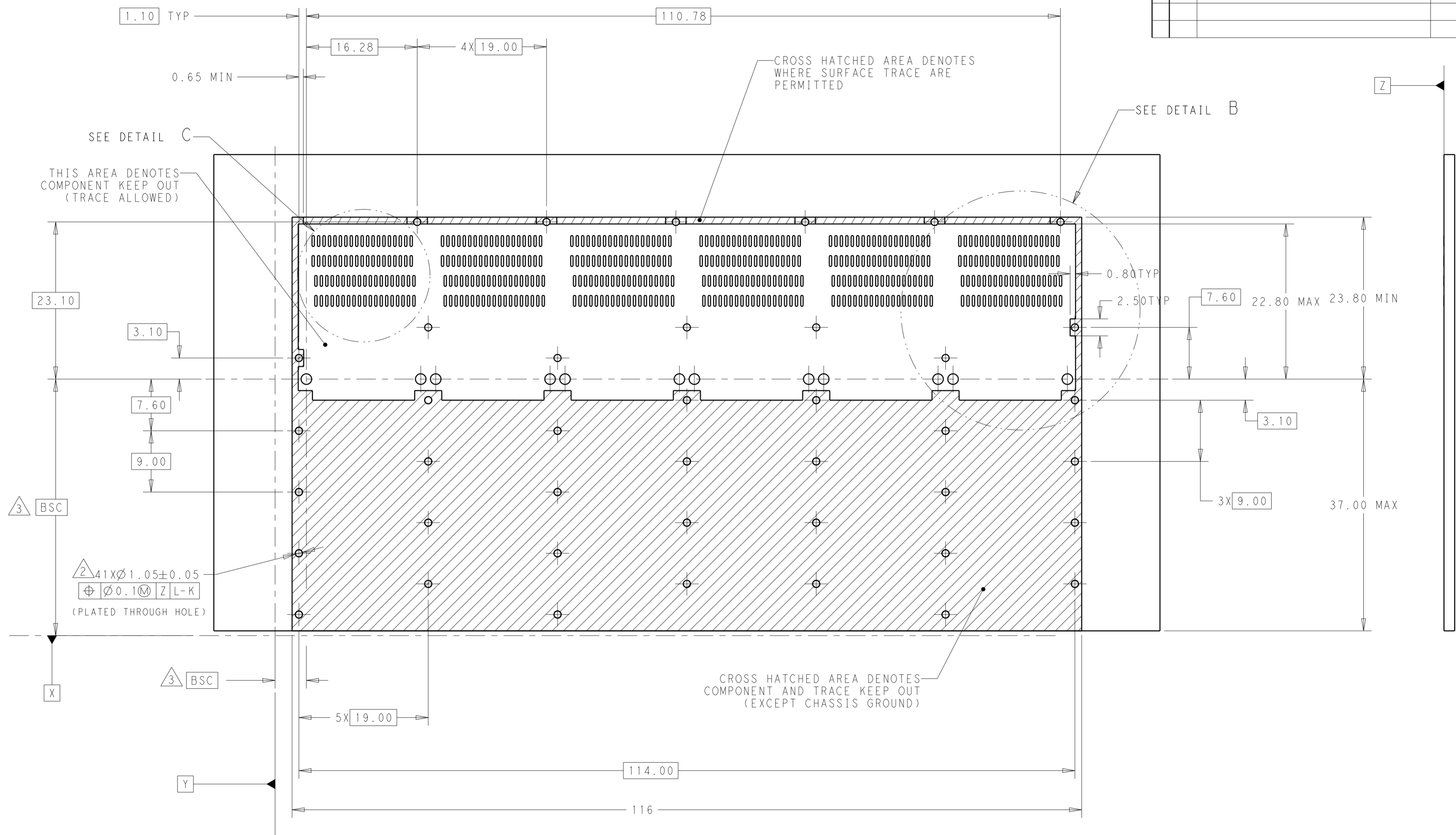
REVISIONS				
P	LTR	DESCRIPTION	DATE	APVD
-	-	SEE SHEET 1	-	-



THIS DRAWING IS A CONTROLLED DOCUMENT.		DWN STEPHEN HE 23AUG2018	 TE Connectivity																																				
DIMENSIONS:		CHK SEAN HAN 23AUG2018																																					
mm	TOLERANCES UNLESS OTHERWISE SPECIFIED:	APVD SEAN HAN 23AUG2018	NAME CAGE ASSEMBLY WIHT HEAT SINK FOR GM QSFP-DD 1X6 ZIPPER																																				
<table border="1"> <tr><td>0 PLC</td><td>±0.25</td></tr> <tr><td>1 PLC</td><td>±0.25</td></tr> <tr><td>2 PLC</td><td>±0.25</td></tr> <tr><td>3 PLC</td><td>±</td></tr> <tr><td>4 PLC</td><td>±</td></tr> <tr><td>ANGLES</td><td>±1</td></tr> <tr><td>FINISH</td><td>-</td></tr> </table>	0 PLC	±0.25	1 PLC	±0.25	2 PLC	±0.25	3 PLC	±	4 PLC	±	ANGLES	±1	FINISH	-	<table border="1"> <tr><td>MATERIAL</td><td>-</td></tr> <tr><td>WEIGHT</td><td>-</td></tr> <tr><td>CUSTOMER DRAWING</td><td>-</td></tr> </table>	MATERIAL	-	WEIGHT	-	CUSTOMER DRAWING	-	<table border="1"> <tr><td>PRODUCT SPEC</td><td>-</td></tr> <tr><td>APPLICATION SPEC</td><td>-</td></tr> <tr><td>WEIGHT</td><td>-</td></tr> <tr><td>CUSTOMER DRAWING</td><td>-</td></tr> </table>	PRODUCT SPEC	-	APPLICATION SPEC	-	WEIGHT	-	CUSTOMER DRAWING	-	<table border="1"> <tr><td>SIZE</td><td>A2</td></tr> <tr><td>CAGE CODE</td><td>-</td></tr> <tr><td>DRAWING NO</td><td>C-2342891</td></tr> <tr><td>RESTRICTED TO</td><td>-</td></tr> </table>	SIZE	A2	CAGE CODE	-	DRAWING NO	C-2342891	RESTRICTED TO	-
0 PLC	±0.25																																						
1 PLC	±0.25																																						
2 PLC	±0.25																																						
3 PLC	±																																						
4 PLC	±																																						
ANGLES	±1																																						
FINISH	-																																						
MATERIAL	-																																						
WEIGHT	-																																						
CUSTOMER DRAWING	-																																						
PRODUCT SPEC	-																																						
APPLICATION SPEC	-																																						
WEIGHT	-																																						
CUSTOMER DRAWING	-																																						
SIZE	A2																																						
CAGE CODE	-																																						
DRAWING NO	C-2342891																																						
RESTRICTED TO	-																																						
SCALE 1:1			SHEET 2 OF 5	REV A																																			

THIS DRAWING IS UNPUBLISHED. RELEASED FOR PUBLICATION 20
 © COPYRIGHT 20 BY - ALL RIGHTS RESERVED.

REVISIONS				
P	LTR	DESCRIPTION	DATE	APVD
-	-	SEE SHEET 1	-	-

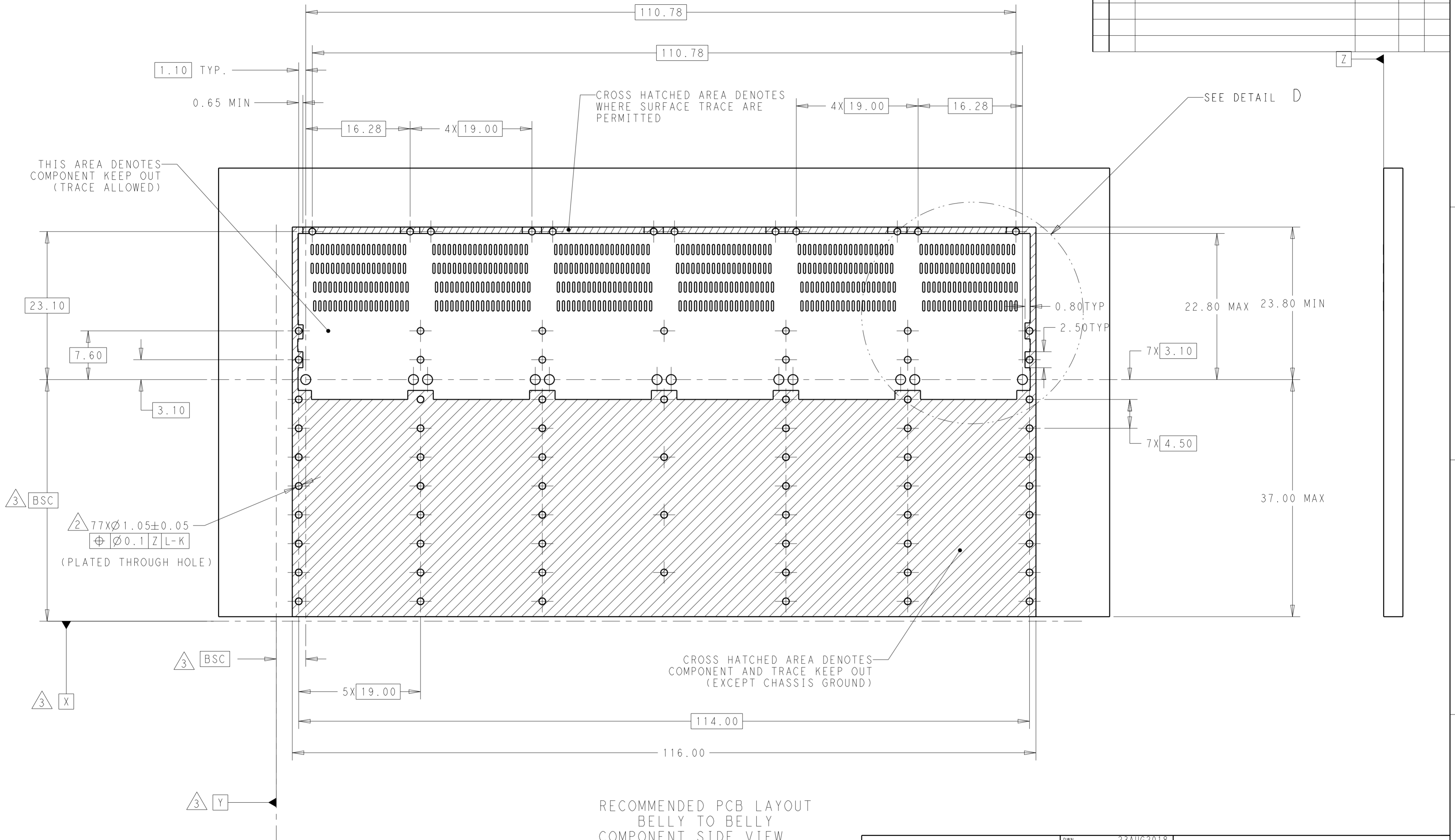


RECOMMENDED PCB LAYOUT
 SINGLE TYPE
 COMPONENT SIDE VIEW

THIS DRAWING IS A CONTROLLED DOCUMENT.		DWN STEPHEN HE 23AUG2018	TE Connectivity	
		CHK SEAN HAN 23AUG2018		
		APVD SEAN HAN 23AUG2018	NAME CAGE ASSEMBLY WIHT HEAT SINK FOR GM QSFP-DD 1X6 ZIPPER	
DIMENSIONS: mm		TOLERANCES UNLESS OTHERWISE SPECIFIED:		PRODUCT SPEC -
		0 PLC ±0.25 1 PLC ±0.25 2 PLC ±0.25 3 PLC ± 4 PLC ± ANGLES ±1 FINISH -		APPLICATION SPEC -
MATERIAL -		WEIGHT -		SIZE A2
		CUSTOMER DRAWING		CAGE CODE - DRAWING NO C-2342891 RESTRICTED TO -
		SCALE 1:1		SHEET 3 OF 5 REV A

THIS DRAWING IS UNPUBLISHED. RELEASED FOR PUBLICATION 20
 © COPYRIGHT 20 BY - ALL RIGHTS RESERVED.

REVISIONS				
P	LTR	DESCRIPTION	DATE	APVD
-	-	SEE SHEET 1	-	-



RECOMMENDED PCB LAYOUT
 BELLY TO BELLY
 COMPONENT SIDE VIEW

THIS DRAWING IS A CONTROLLED DOCUMENT.		DWN STEPHEN HE 23AUG2018	TE Connectivity	
		CHK SEAN HAN 23AUG2018		
		APVD SEAN HAN 23AUG2018	NAME CAGE ASSEMBLY WIHT HEAT SINK FOR GM QSFP-DD 1X6 ZIPPER	
DIMENSIONS: mm 		TOLERANCES UNLESS OTHERWISE SPECIFIED: 0 PLC ±0.25 1 PLC ±0.25 2 PLC ±0.25 3 PLC ± 4 PLC ± ANGLES ± FINISH ±1		PRODUCT SPEC APPLICATION SPEC WEIGHT CUSTOMER DRAWING
		SCALE 1:1	SHEET 4 OF 5	REV A