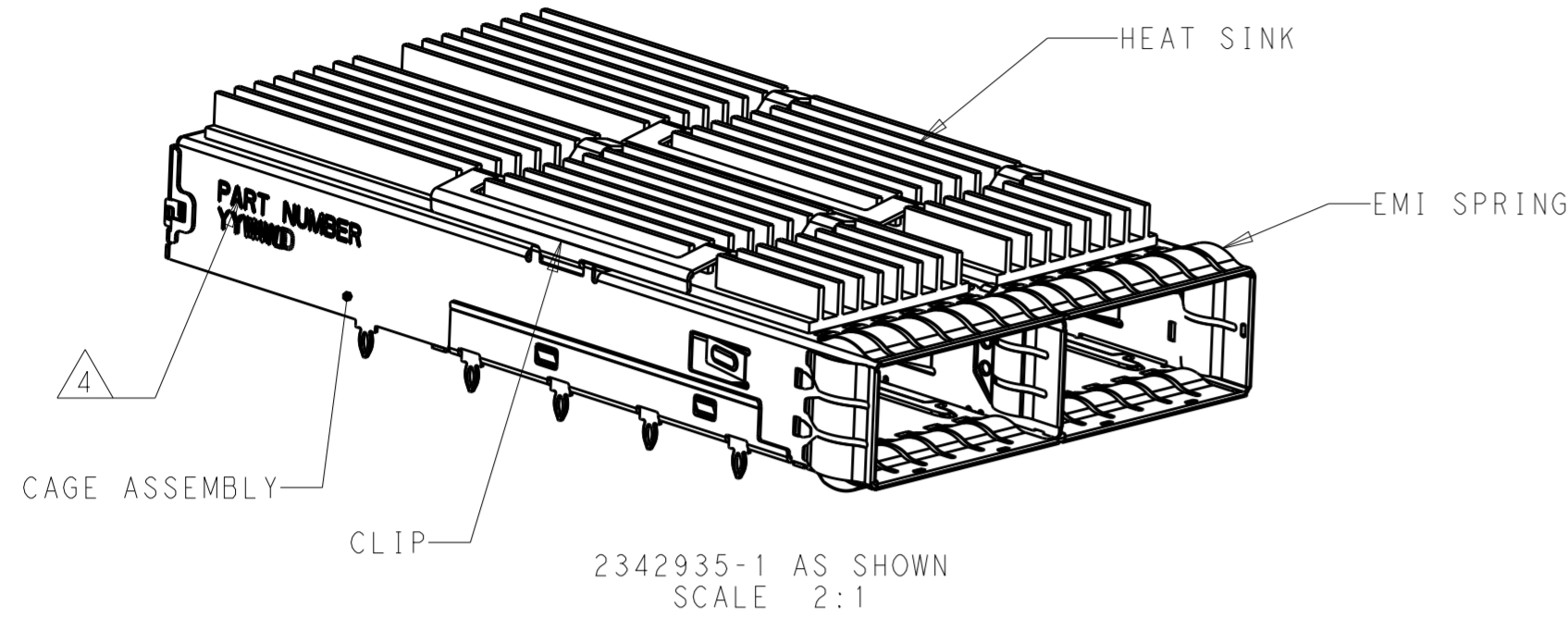


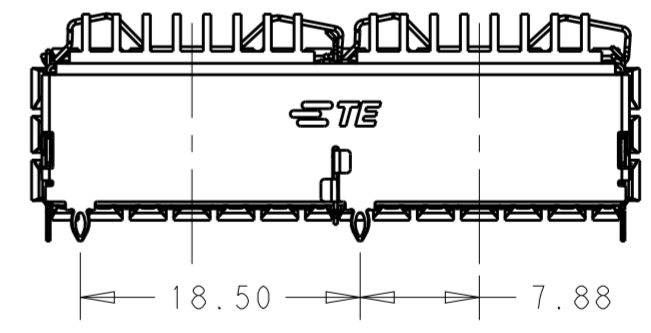
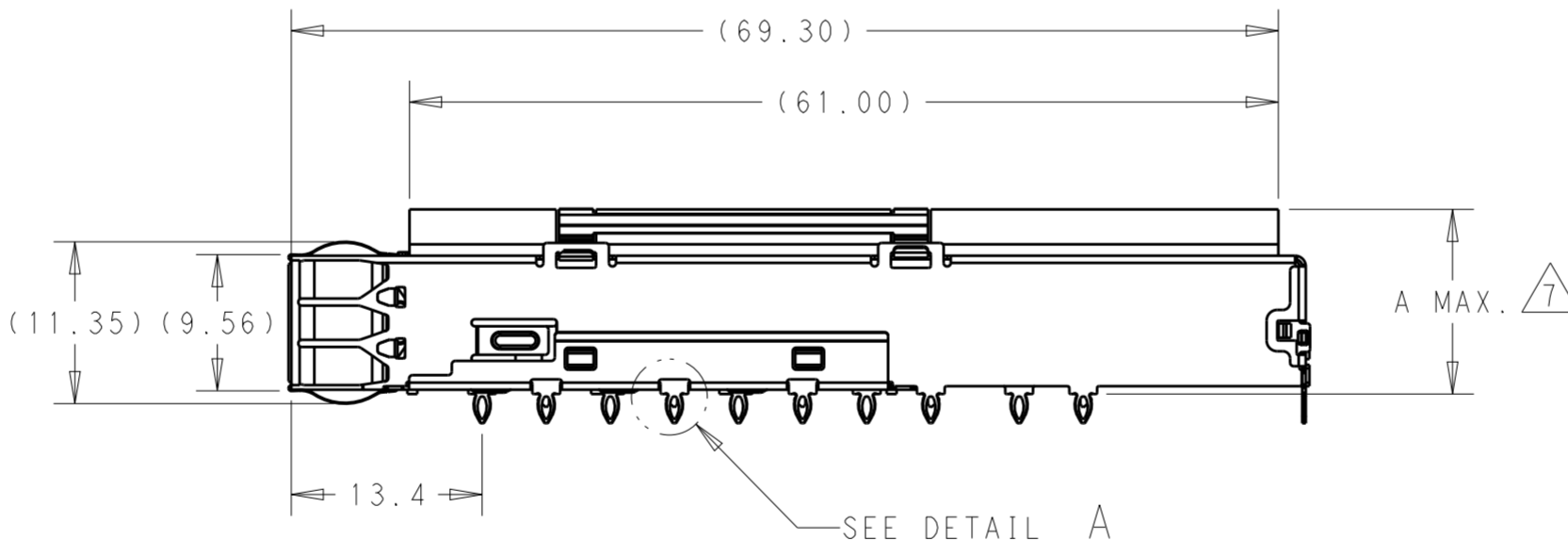
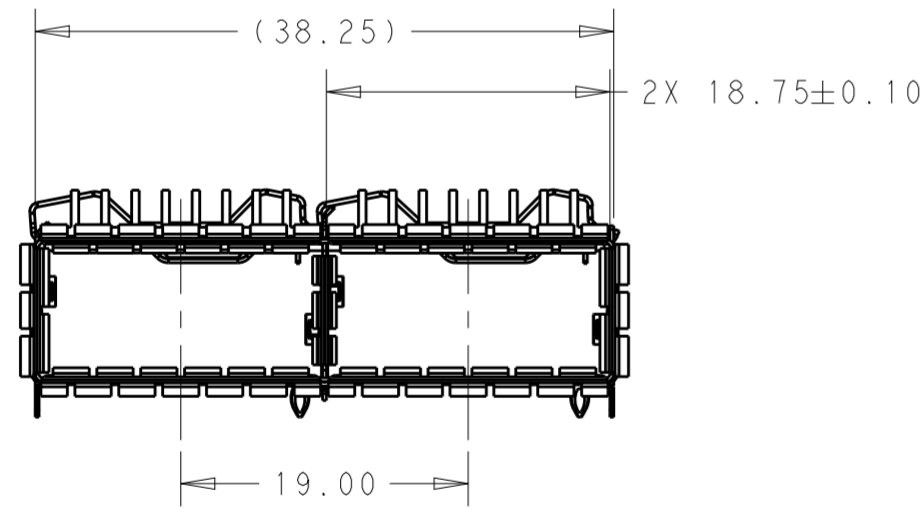
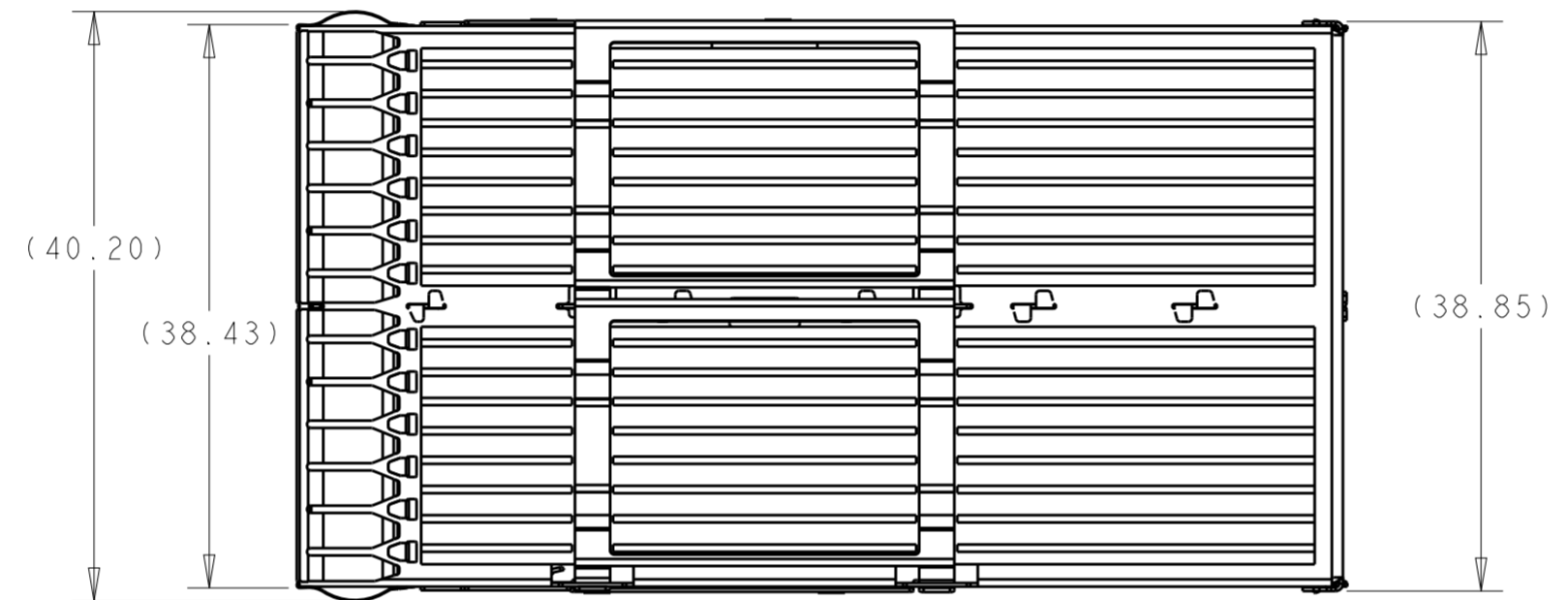
THIS DRAWING IS UNPUBLISHED. RELEASED FOR PUBLICATION 20
 © COPYRIGHT 20 BY - ALL RIGHTS RESERVED.

| REVISIONS | | | | |
|-----------|-----|-----------------|-----------|-------|
| P | LTR | DESCRIPTION | DATE | APVD |
| A | | INITIAL RELEASE | 14JUN2019 | AJ SH |
| | | | | |
| | | | | |

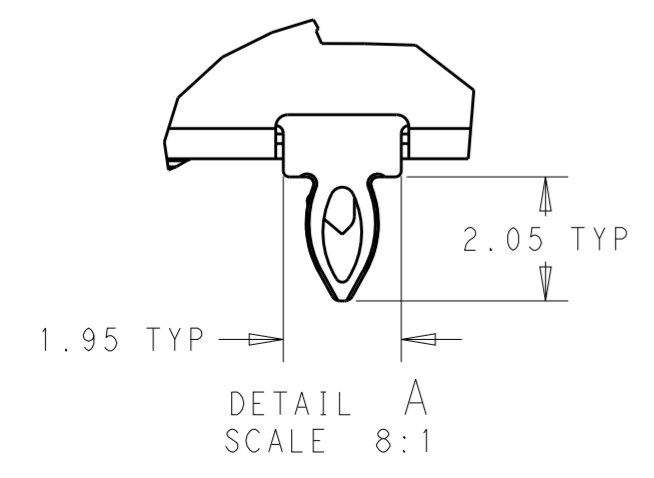


NOTES:

- ① CAGE ASSEMBLY: STAINLESS STEEL.
HEAT SINK: ALUMINUM/ BLACK ANODIZED.
HEAT SINK CLIP: STAINLESS STEEL.
EMI SPRING: COPPER ALLOY/NICKEL PLATE.
- ② REFERENCE APPLICATION SPECIFICATION 114-60025 FOR RECOMMENDED DRILL HOLE DIAMETER AND PLATING THICKNESS. BOARD LAYOUT PER THIS PRINT.
- ③ DATUM AND BASIC DIMENSION ESTABLISHED BY CUSTOMER.
- ④ PART NUMBER AND DATE CODE (YYWWD) MARKED APPROXIMATELY AS SHOWN.
- 5. MATES WITH QSFP DD MSA COMPATIBLE TRANSCEIVER.
- 6. MINIMUM PC BOARD THICKNESS: SINGLE SIDED: 1.57 MIN
DOUBLE SIDED: 3.00 MIN
- ⑦ DIMENSION APPLIES WITH MODULE INSERTED.



2342935-1 AS SHOWN SCALE 2:1

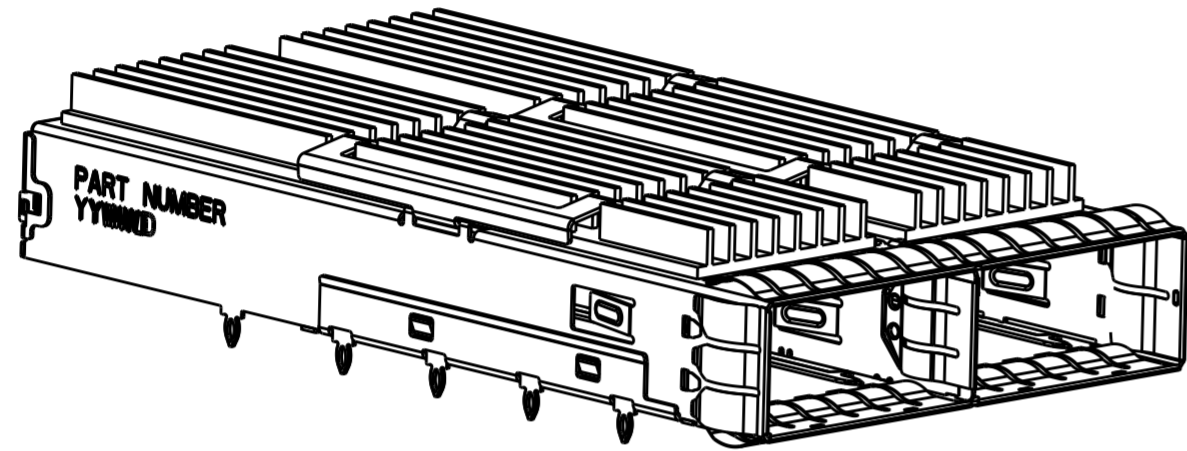


| | | | |
|-------|------------------------|--------------------------------|-------------|
| 23.00 | 1 | NETWORKING | 2342935-3 |
| 16.00 | 1 | SAN | 2342935-2 |
| 13.70 | 1 | PCI | 2342935-1 |
| DIM A | # REAR PINS (PER PORT) | APPLICATION (HEAT SINK OPTION) | PART NUMBER |

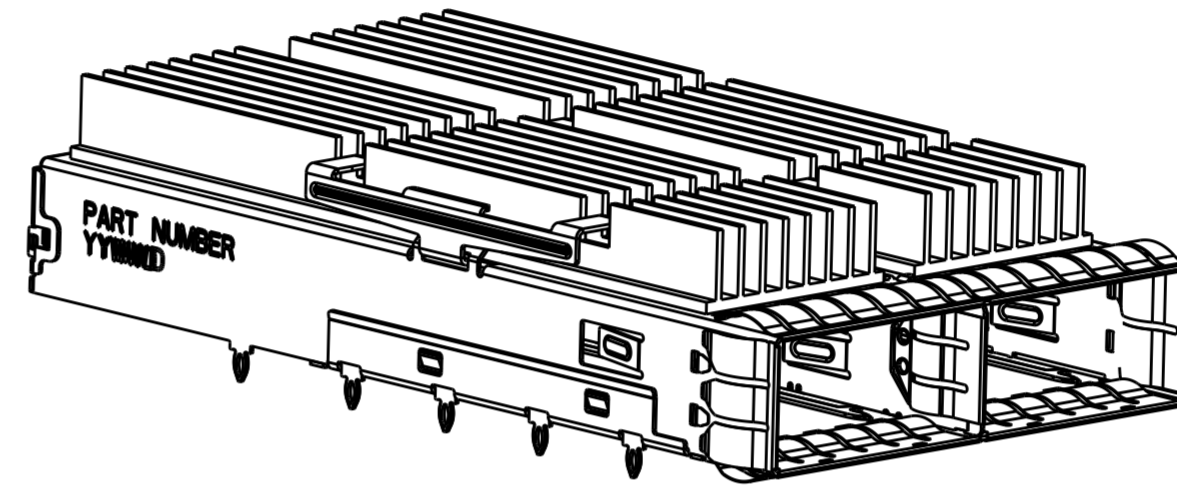
| | | | | |
|--|--|----------------------------|--|--|
| THIS DRAWING IS A CONTROLLED DOCUMENT. | | DWN ARTHUR JIN 11SEP2018 | STE TE Connectivity | |
| | | CHK SEAN HAN 11SEP2018 | | |
| DIMENSIONS: mm | | APVD SEAN HAN 11SEP2018 | NAME QSFP-DD, 1X2 CAGE ASSEMBLY W-EXTRUDED HEAT SINK W-EMI SPRING, | |
| TOLERANCES UNLESS OTHERWISE SPECIFIED: | | PRODUCT SPEC 108-60122 | SIZE CAGE CODE DRAWING NO RESTRICTED TO | |
| 0 PLC ±0.25 | | APPLICATION SPEC 114-60025 | A2 - C-2342935 | |
| 1 PLC ±0.25 | | WEIGHT - | SCALE 1:1 SHEET 1 OF 5 REV A | |
| 2 PLC ±0.20 | | CUSTOMER DRAWING | | |
| 3 PLC ±0.10 | | | | |
| 4 PLC ± | | | | |
| ANGLES ± | | | | |
| FINISH SEE NOTE | | | | |

THIS DRAWING IS UNPUBLISHED. RELEASED FOR PUBLICATION 20
 © COPYRIGHT 20 BY - ALL RIGHTS RESERVED.

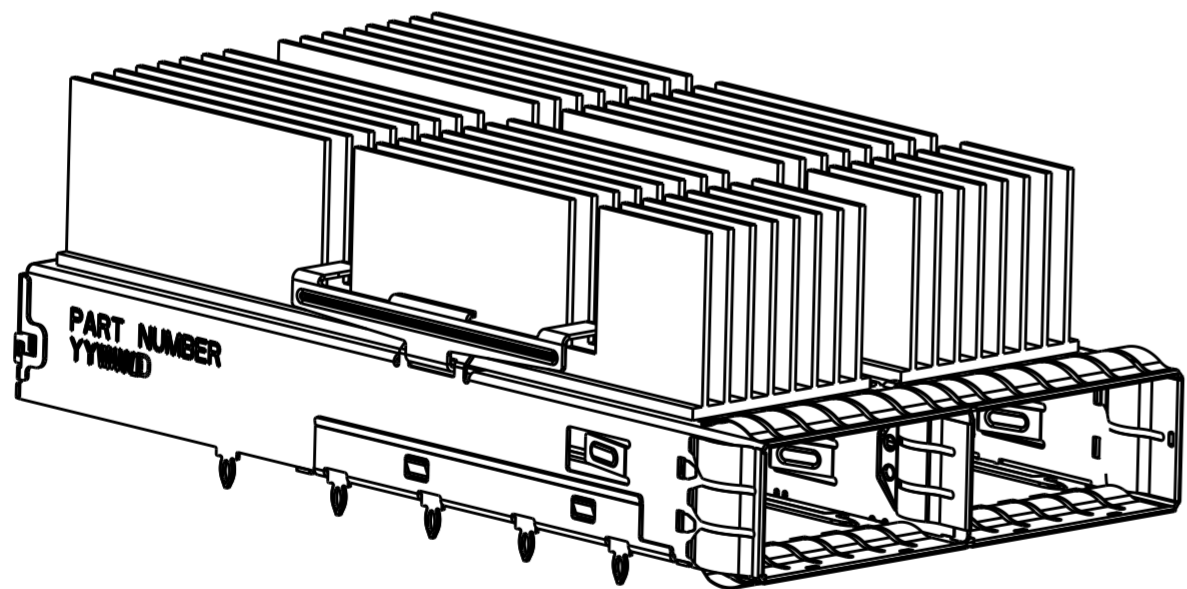
| REVISIONS | | | | |
|-----------|-----|-------------|------|------|
| P | LTR | DESCRIPTION | DATE | APVD |
| - | | SEE SHEET 1 | - | - |
| | | | | |
| | | | | |




2342935-1 AS SHOWN
 WITH PCI HAET SINK
 SCALE 2:1



2342935-2 AS SHOWN
 WITH SAN HAET SINK
 SCALE 2:1

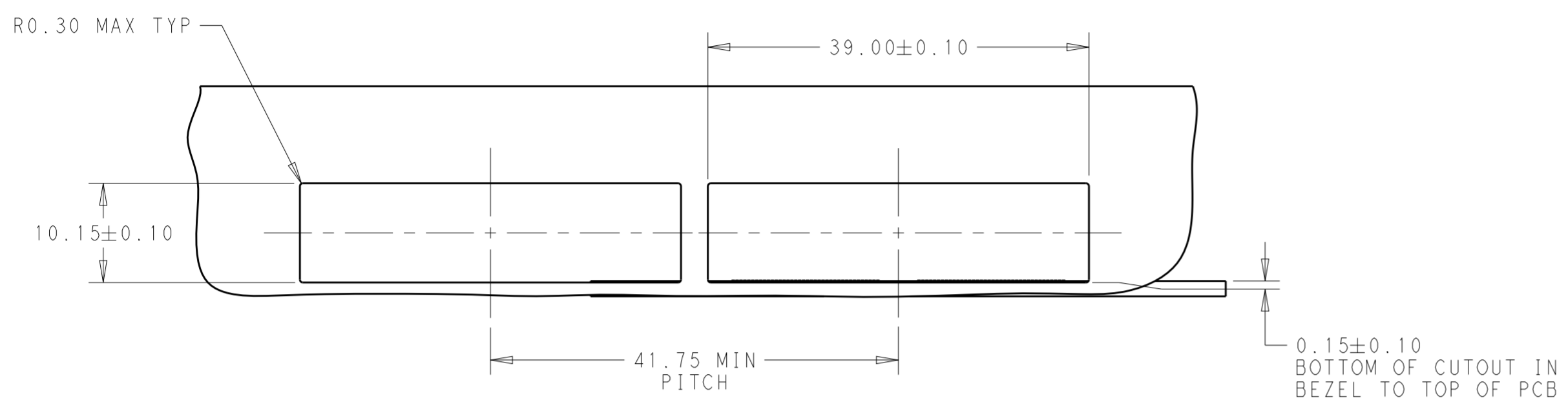


2342935-3 AS SHOWN
 WITH NETWORKING HAET SINK
 SCALE 2:1

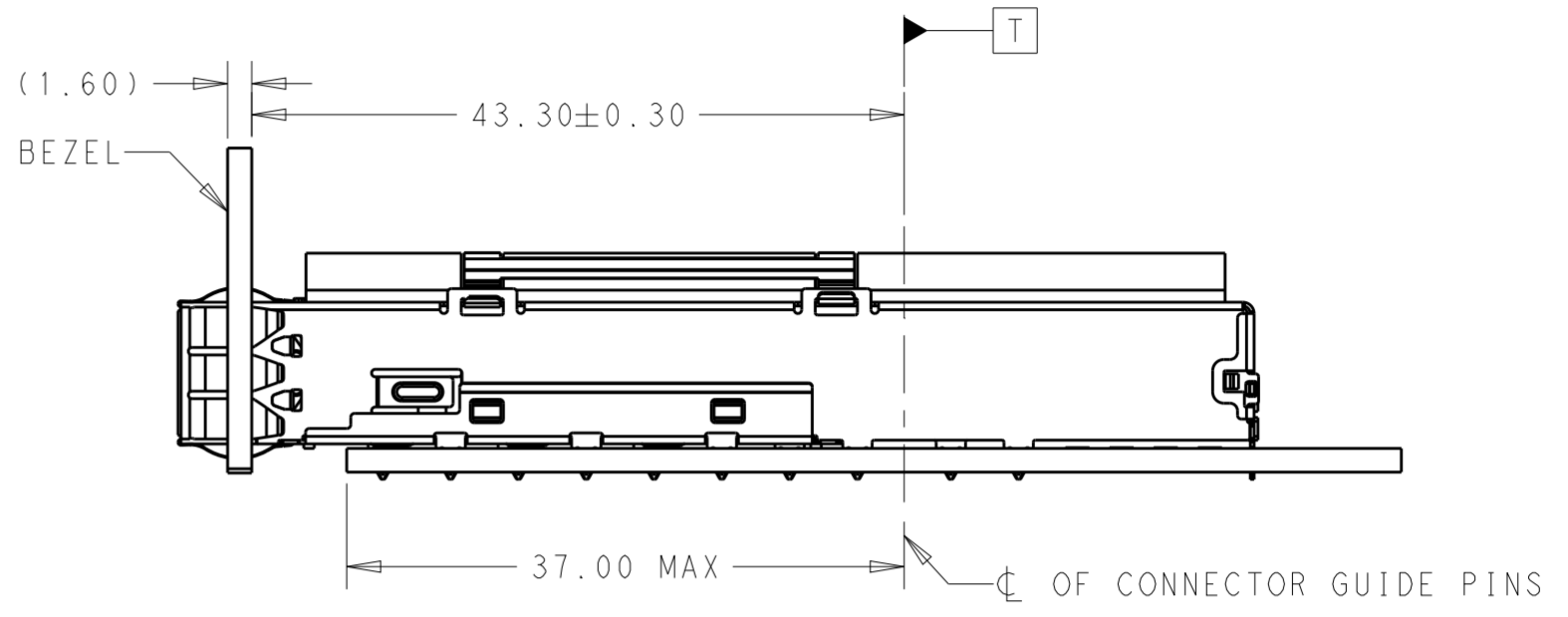
| | | | | |
|---|--|--------------------------------|---|--------------------|
| THIS DRAWING IS A CONTROLLED DOCUMENT. | | DWN ARTHUR JIN 11SEP2018 |  TE Connectivity | |
| | | CHK SEAN HAN 11SEP2018 | | |
| | | APVD SEAN HAN 11SEP2018 | NAME QSFP-DD, 1X2 CAGE ASSEMBLY W-EXTRUDED HEAT SINK W-EMI SPRING, | |
| DIMENSIONS: mm | | PRODUCT SPEC 108-60122 | SIZE A2 | CAGE CODE - |
| TOLERANCES UNLESS OTHERWISE SPECIFIED: 0 PLC ±0.25 1 PLC ±0.25 2 PLC ±0.20 3 PLC ±0.10 4 PLC ± ANGLES ± FINISH | | APPLICATION SPEC 114-60025 | DRAWING NO C-2342935 | RESTRICTED TO - |
| MATERIAL SEE NOTE | | WEIGHT - | SCALE 1:1 SHEET 2 OF 5 REV A | |
| | | CUSTOMER DRAWING | | |

THIS DRAWING IS UNPUBLISHED. RELEASED FOR PUBLICATION 20
 © COPYRIGHT 20 BY - ALL RIGHTS RESERVED.

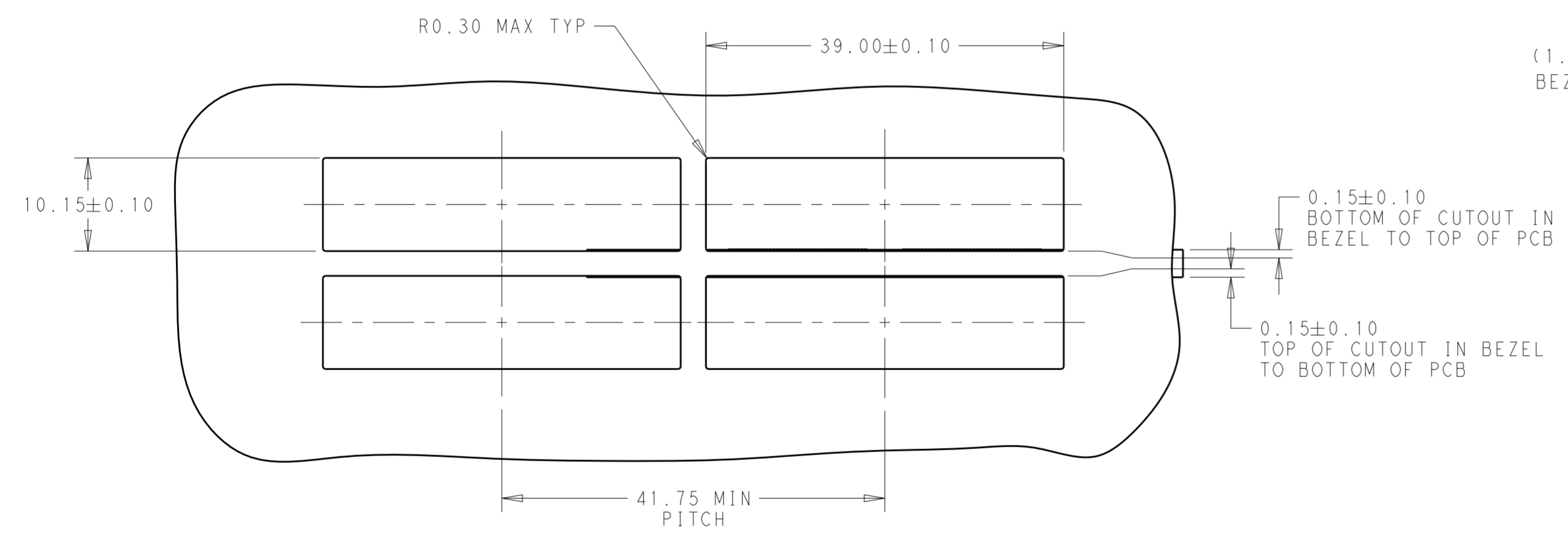
| REVISIONS | | | | |
|-----------|-----|-------------|------|------|
| P | LTR | DESCRIPTION | DATE | APVD |
| - | - | SEE SHEET 1 | - | - |
| | | | | |
| | | | | |



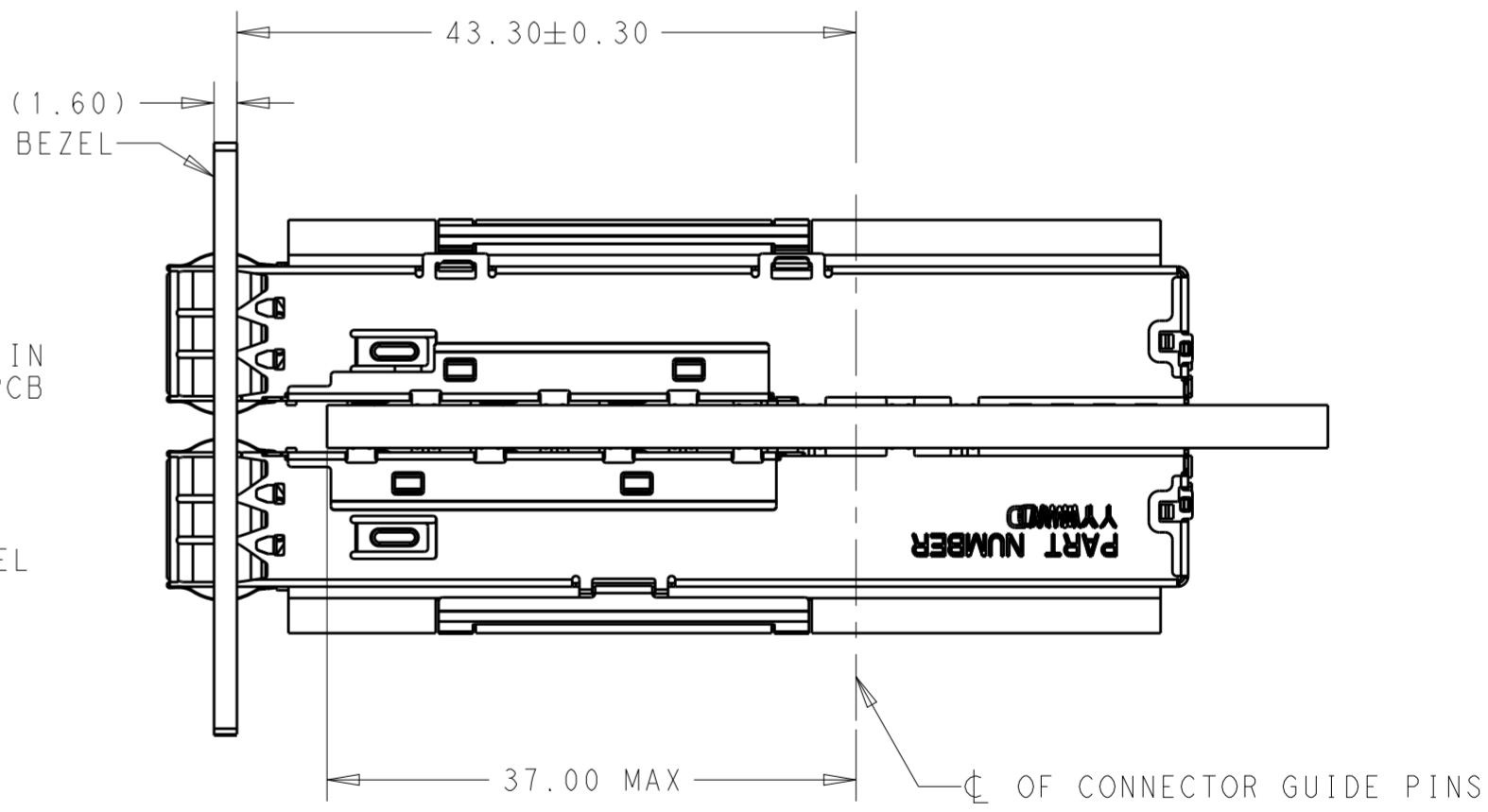
CAGE ASSEMBLY OMITTED FOR CLARITY




SINGLE SIDE MOUNTING



CAGE ASSEMBLY OMITTED FOR CLARITY

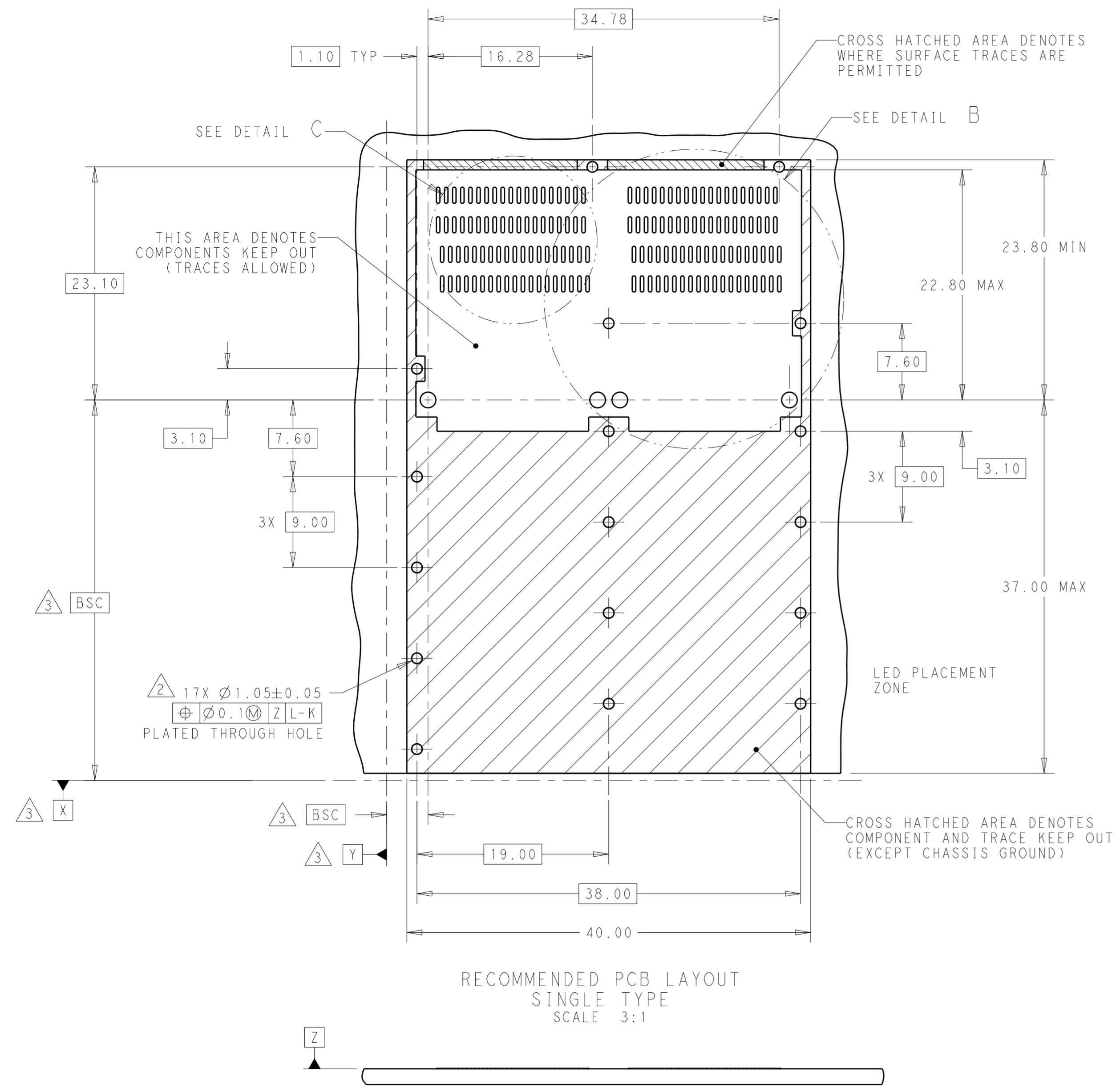


BELLY TO BELLY MOUNTING

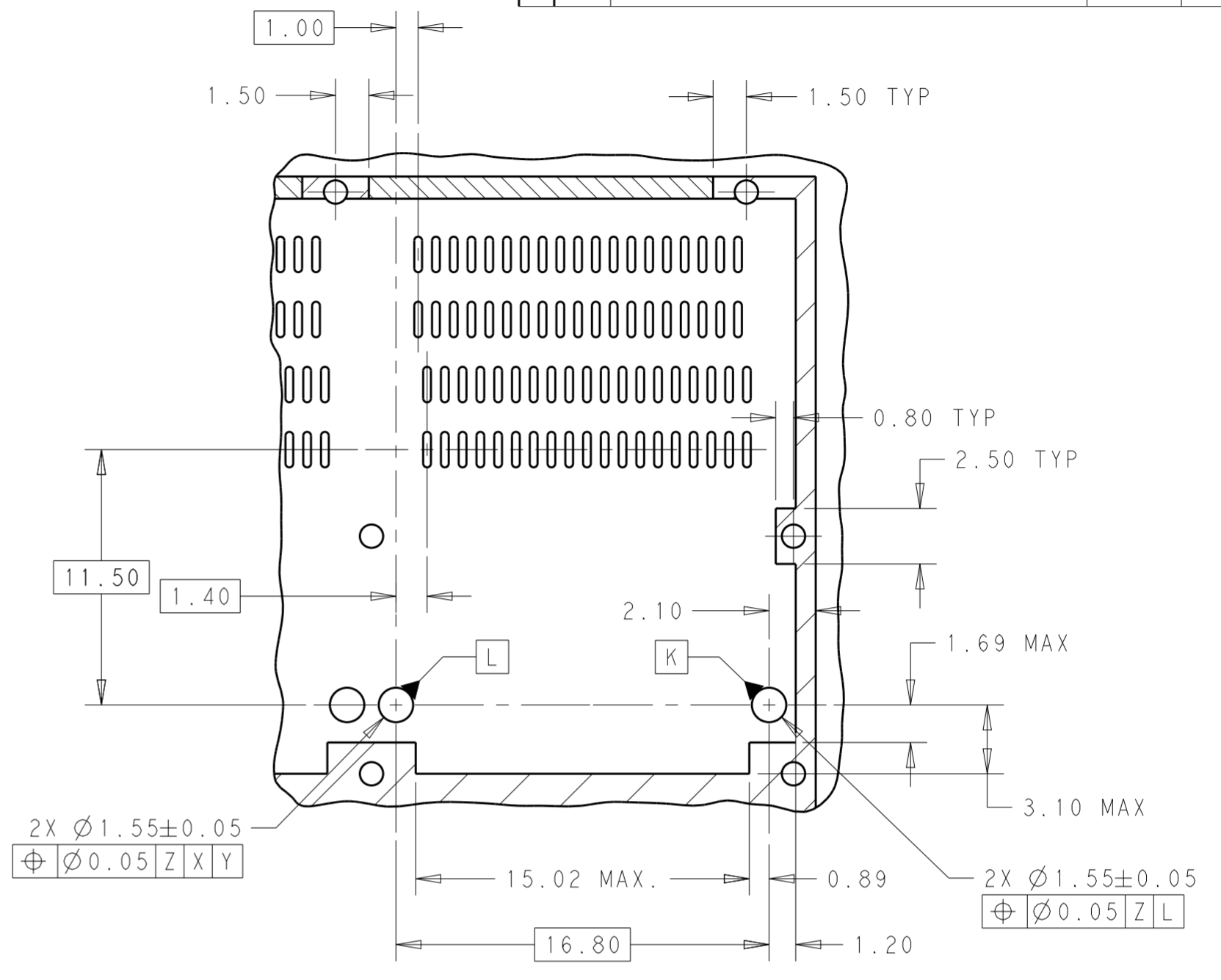
| | | | | |
|--|--------------------|--------------------------------|---|--------------------|
| THIS DRAWING IS A CONTROLLED DOCUMENT. | | DWN ARTHUR JIN 11SEP2018 |  TE Connectivity | |
| DIMENSIONS: mm | | CHK SEAN HAN 11SEP2018 | | |
| TOLERANCES UNLESS OTHERWISE SPECIFIED: | | APVD SEAN HAN 11SEP2018 | NAME QSFP-DD, 1X2 CAGE ASSEMBLY W-EXTRUDED HEAT SINK W-EMI SPRING, | |
| 0 PLC ±0.25 | 1 PLC ±0.25 | PRODUCT SPEC 108-60122 | SIZE A2 | CAGE CODE - |
| 2 PLC ±0.20 | 3 PLC ±0.10 | APPLICATION SPEC 114-60025 | DRAWING NO C-2342935 | RESTRICTED TO - |
| 4 PLC ± | ANGLES ± | WEIGHT - | SCALE 1:1 | SHEET 3 OF 5 |
| MATERIAL SEE NOTE | FINISH SEE NOTE | CUSTOMER DRAWING | REV A | |

THIS DRAWING IS UNPUBLISHED. RELEASED FOR PUBLICATION 20
 © COPYRIGHT 20 BY - ALL RIGHTS RESERVED.

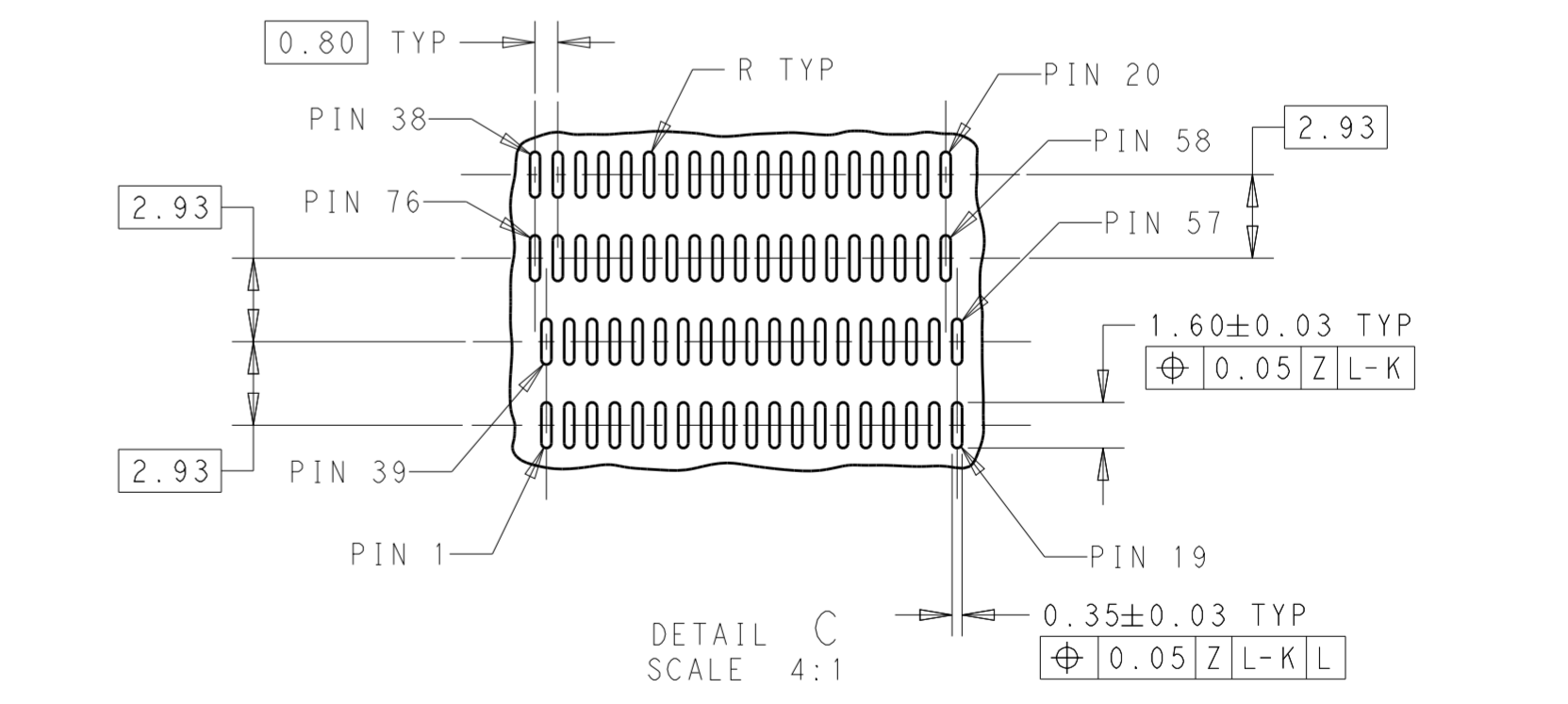
| REVISIONS | | | | |
|-----------|-----|-------------|------|------|
| P | LTR | DESCRIPTION | DATE | APVD |
| - | - | SEE SHEET 1 | - | - |



RECOMMENDED PCB LAYOUT
 SINGLE TYPE
 SCALE 3:1



DETAIL B
 SCALE 4:1



DETAIL C
 SCALE 4:1

| | | | | |
|--|--|-------------------------------|---|--|
| THIS DRAWING IS A CONTROLLED DOCUMENT. | | DWN 11SEP2018 ARTHUR JIN | TE Connectivity | |
| DIMENSIONS: mm | | CHK 11SEP2018 SEAN HAN | | |
| TOLERANCES UNLESS OTHERWISE SPECIFIED: | | APVD 11SEP2018 SEAN HAN | NAME QSFP-DD, 1X2 CAGE ASSEMBLY W-EXTRUDED HEAT SINK W-EMI SPRING, | |
| 0 PLC ±0.25 | | PRODUCT SPEC 108-60122 | SIZE CAGE CODE DRAWING NO A2 - C-2342935 | |
| 1 PLC ±0.25 | | APPLICATION SPEC 114-60025 | RESTRICTED TO | |
| 2 PLC ±0.20 | | WEIGHT - | SCALE 1:1 SHEET 4 OF 5 REV A | |
| 3 PLC ±0.10 | | CUSTOMER DRAWING | | |
| 4 PLC ± | | | | |
| ANGLES ± | | | | |
| FINISH SEE NOTE | | | | |