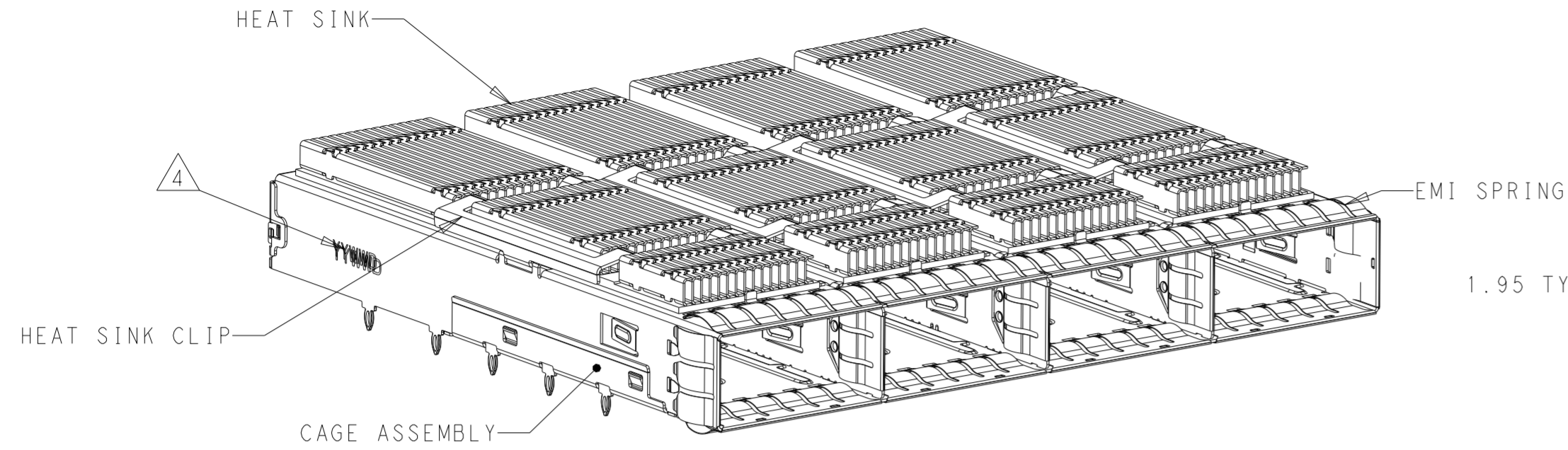
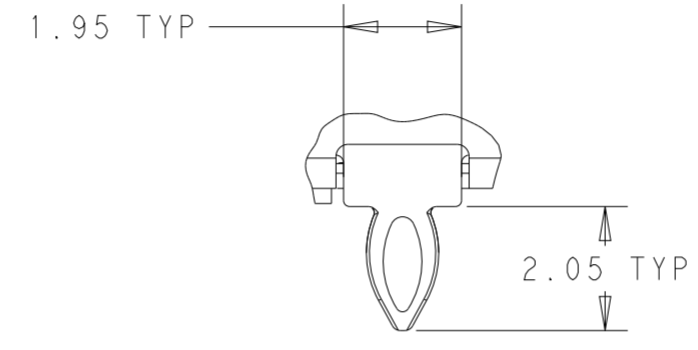


THIS DRAWING IS UNPUBLISHED. RELEASED FOR PUBLICATION 20
 © COPYRIGHT 20 BY - ALL RIGHTS RESERVED.

REVISIONS				
P	LTR	DESCRIPTION	DATE	APVD
A		PRODUCTION RELEASE	13JUN2019	JW SH
A1		REVISED PER ECN-21-123572	14OCT2021	SH SZ

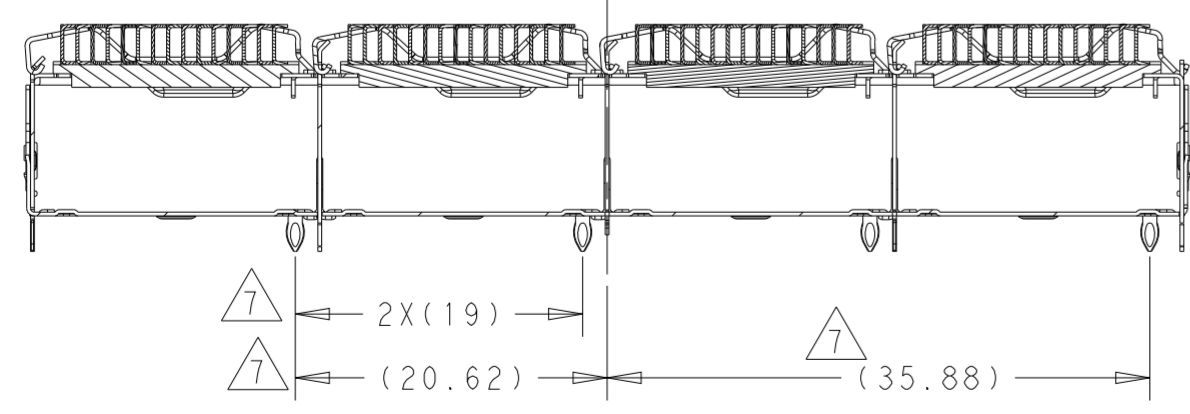
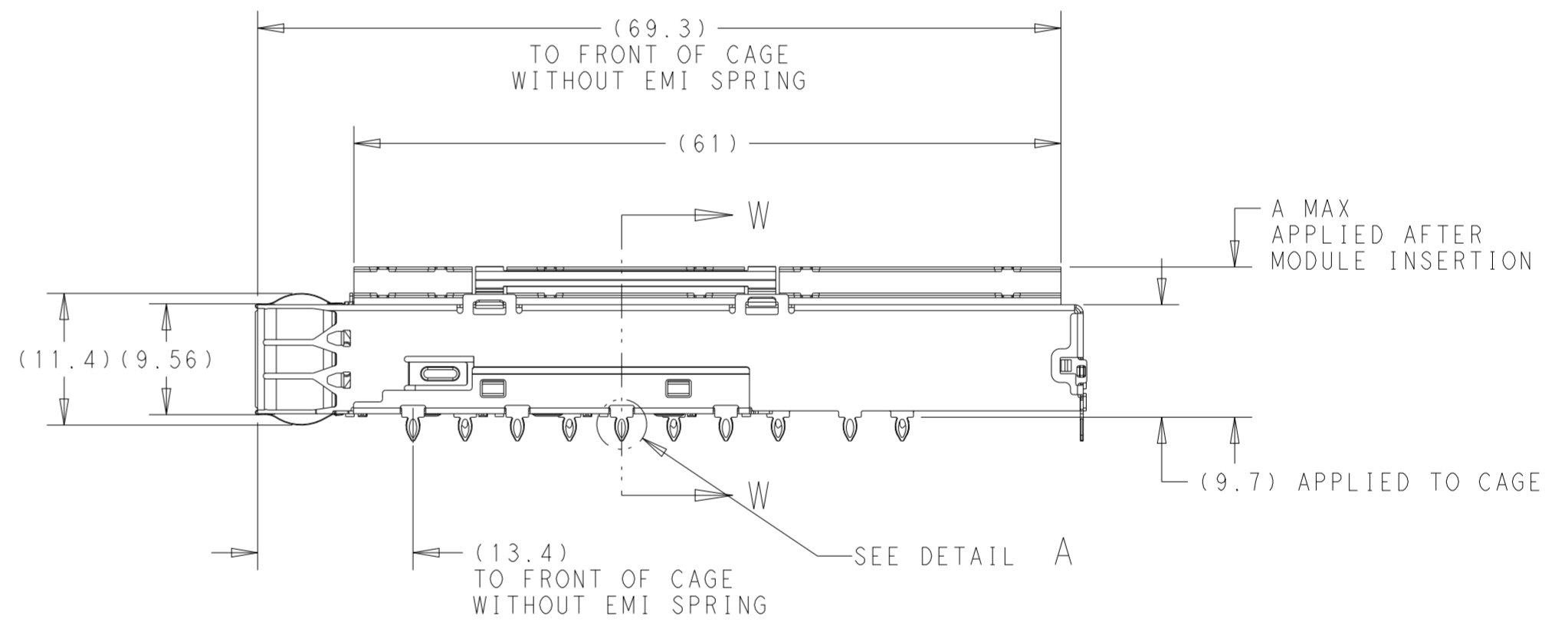
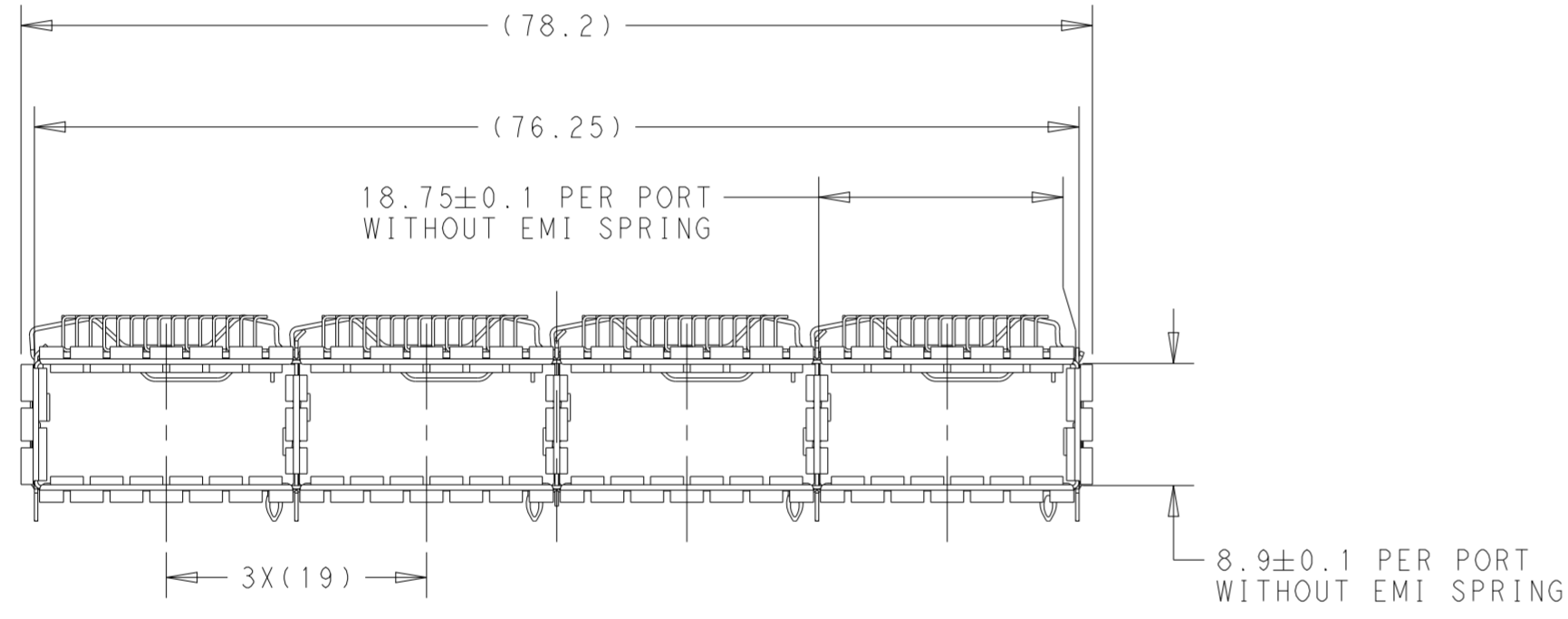


2343989-1 AS SHOWN



DETAIL A
SCALE 8:1

- 1 CAGE ASSEMBLY: STAINLESS STEEL.
HEAT SINK: ALUMINUM/NICKEL PLATE.
HEAT SINK CLIP: STAINLESS STEEL.
EMI SPRING: COPPER ALLOY/NICKEL PLATE.
- 2 REFERENCE APPLICATION SPECIFICATION 114-32023 FOR RECOMMENDED DRILL HOLE DIAMETER AND PLATING THICKNESS. BOARD LAYOUT PER THIS PRINT.
- 3 DATUM AND BASIC DIMENSION ESTABLISHED BY CUSTOMER.
- 4 DATE CODE (YYWW) MARKED APPROXIMATELY AS SHOWN.
- 5. MATES WITH QSFP DD MSA COMPATIBLE TRANSCEIVER.
- 6. MINIMUM PC BOARD THICKNESS: SINGLE SIDED: 1.45 MIN
DOUBLE SIDED: 2.20 MIN
- 7 ONLY FOR VERSION WITH REAR EONS



For 2343989-1/-2-3 WITH REAR EONS
SECTION W-W

VERSION	DIM A	PART NUMBER
W REAR EONS	15.5	2343989-7
W/O REAR EONS	23	1-2343989-3
W/O REAR EONS	16	1-2343989-2
W/O REAR EONS	13.7	1-2343989-1
W REAR EONS	19.75	2343989-6
W REAR EONS	15.55	2343989-5
W REAR EONS	23	2343989-3
W REAR EONS	16	2343989-2
W REAR EONS	13.7	2343989-1

THIS DRAWING IS A CONTROLLED DOCUMENT.

DWN	J. WANG	10OCT2018
CHK	S. HAN	10OCT2018
APVD	S. HAN	10OCT2018

TE Connectivity

NAME: CAGE WITH HEATSINK THRU BEZEL, 1X4, QSFP DD

SIZE	A2	CAGE CODE	-	DRAWING NO	C-2343989	RESTRICTED TO	-	
CUSTOMER DRAWING	SCALE	2:1	SHEET	1	OF	7	REV	A1

APVD: S. HAN

PRODUCT SPEC: -

APPLICATION SPEC: -

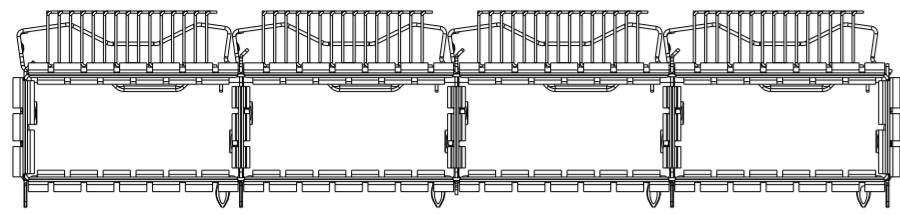
WEIGHT: -

DIMENSIONS: mm

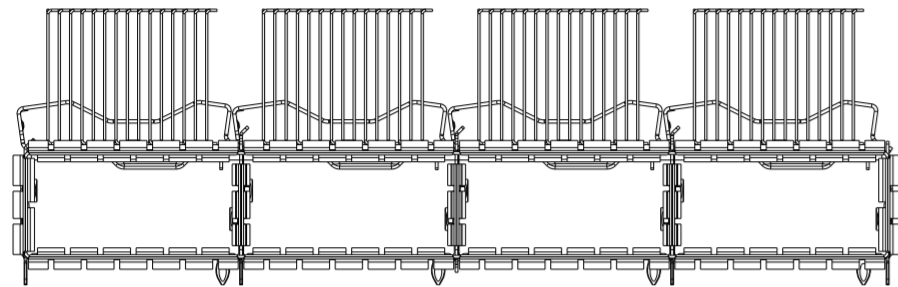
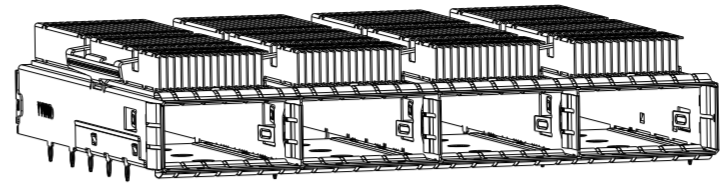
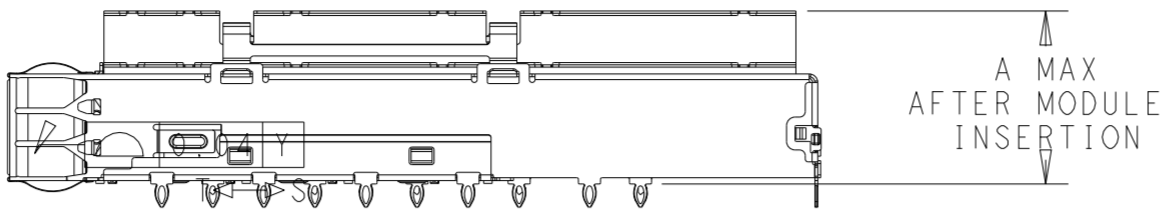
TOLERANCES UNLESS OTHERWISE SPECIFIED:

0 PLC	±0.25
1 PLC	±0.25
2 PLC	±0.25
3 PLC	±
4 PLC	±
ANGLES	±
FINISH	±

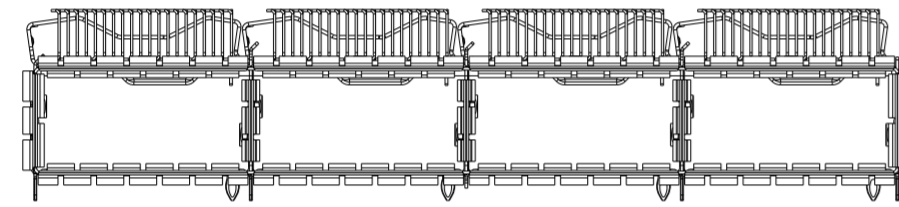
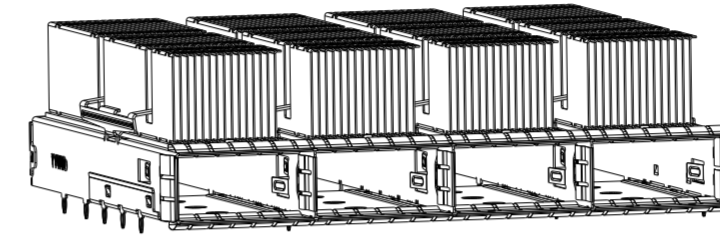
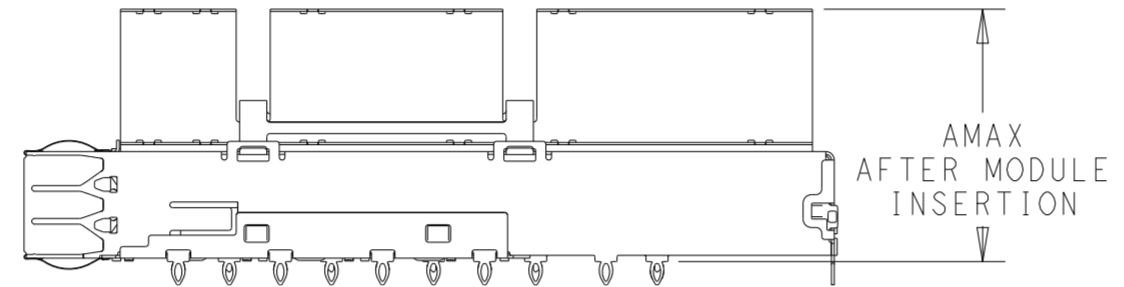
REVISIONS				
P	LTR	DESCRIPTION	DATE	APVD
-		SEE SHEET 1	-	-



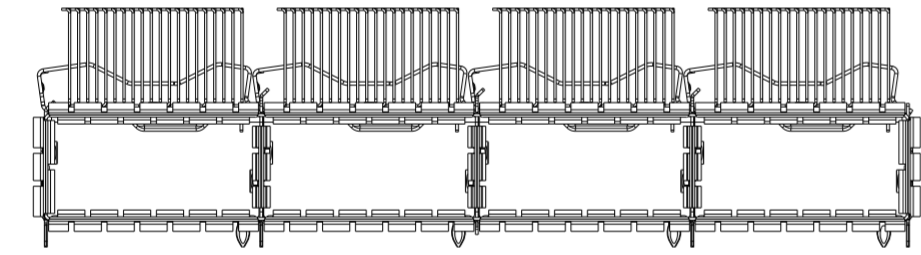
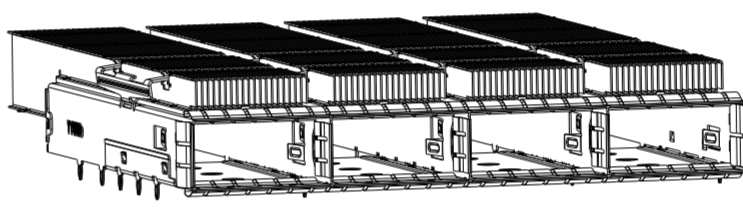
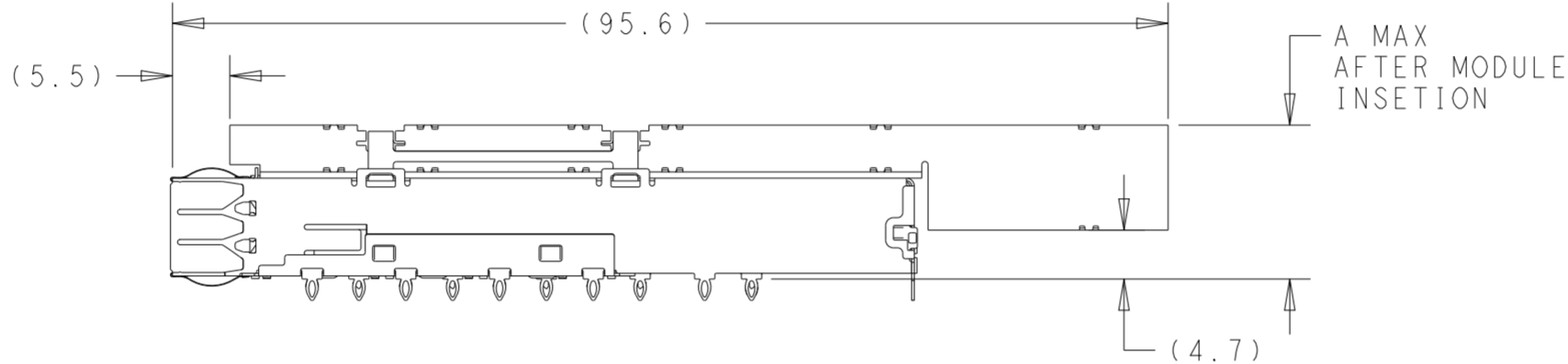
2343989-2
 UNMARKED DIMENSIONS SAME AS 2343989-1
 SCALE 3:2



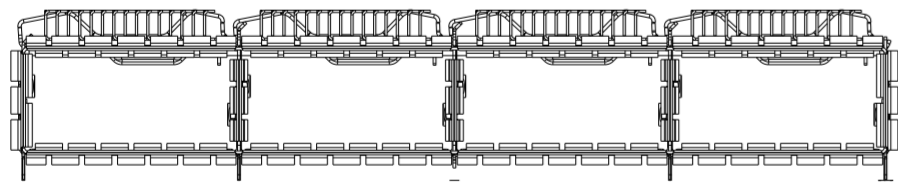
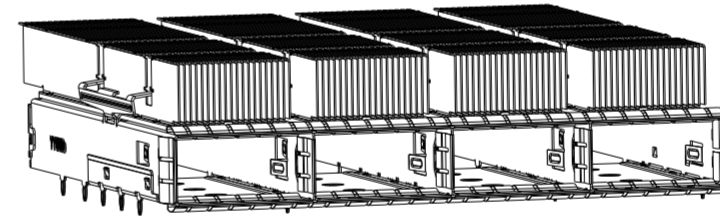
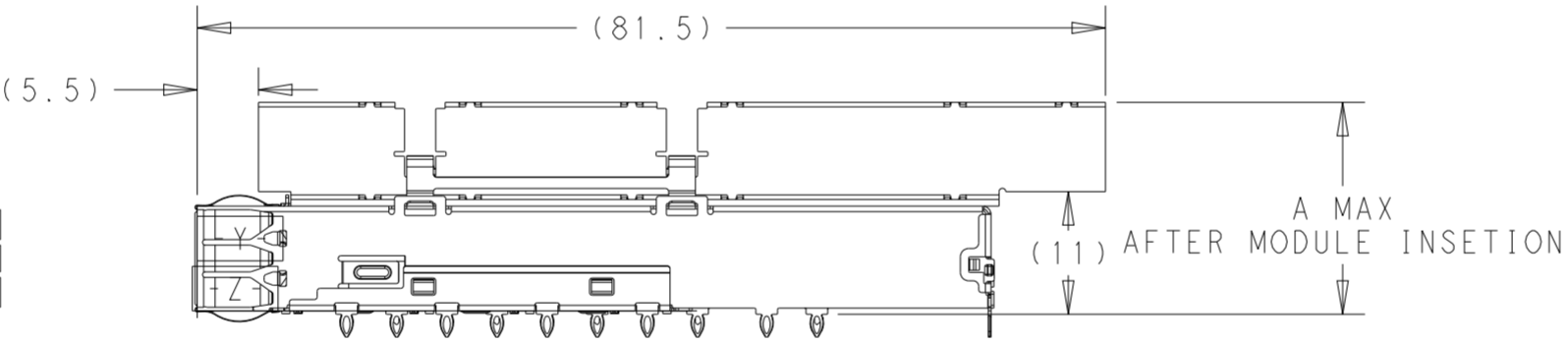
2343989-3
 UNMARKED DIMENSIONS SAME AS 2343989-1
 SCALE 3:2



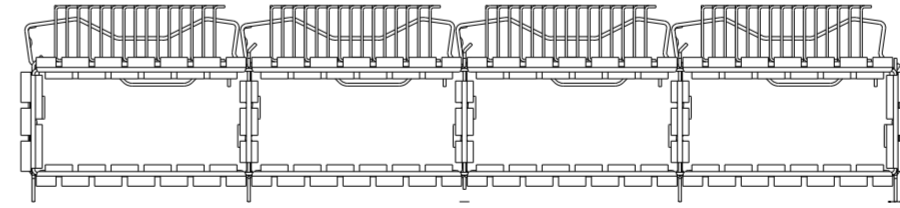
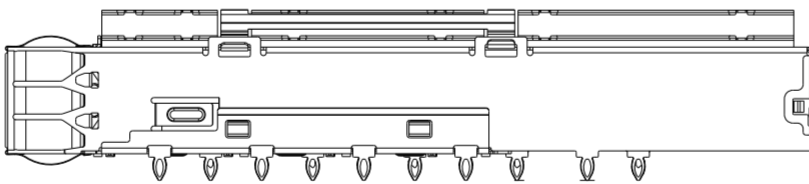
2343989-5
 UNMARKED DIMENSIONS SAME AS 2343989-3
 SCALE 3:2



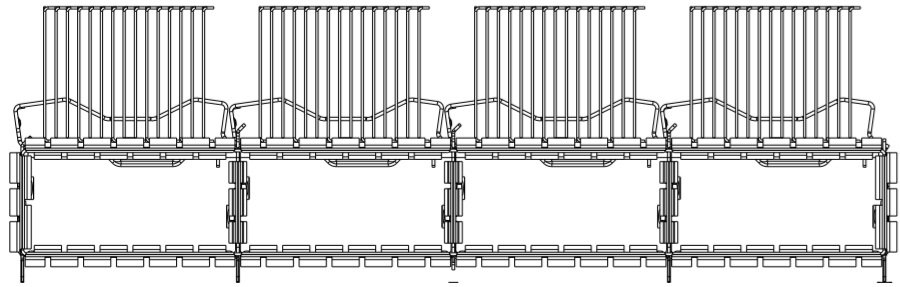
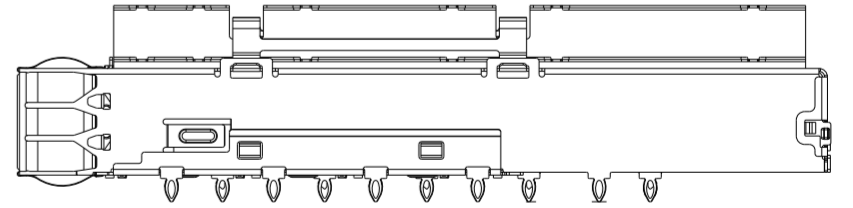
2343989-6
 UNMARKED DIMENSIONS SAME AS 2343989-3
 SCALE 3:2



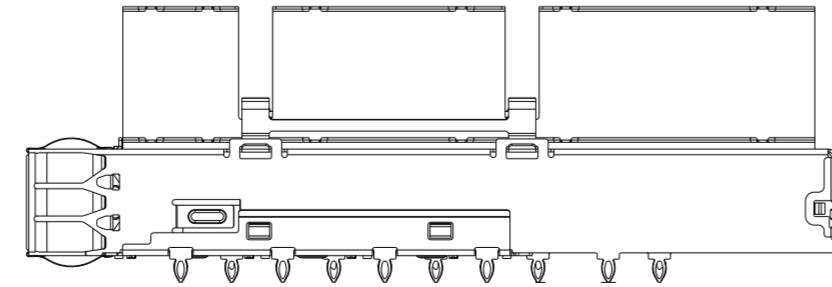
1-2343989-1
 WITHOUT REAR BEZELS
 UNMARKED DIMENSIONS SAME AS 2343989-1
 SCALE 3:2




1-2343989-2
 WITHOUT REAR BEZELS
 UNMARKED DIMENSIONS SAME AS 2343989-2
 SCALE 3:2



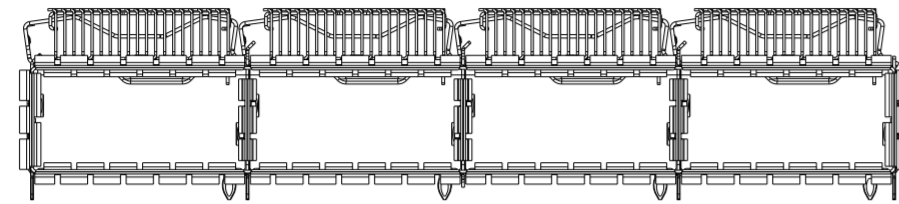
1-2343989-3
 WITHOUT REAR BEZELS
 UNMARKED DIMENSIONS SAME AS 2343989-3
 SCALE 3:2



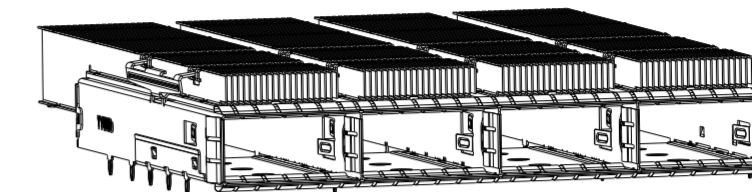
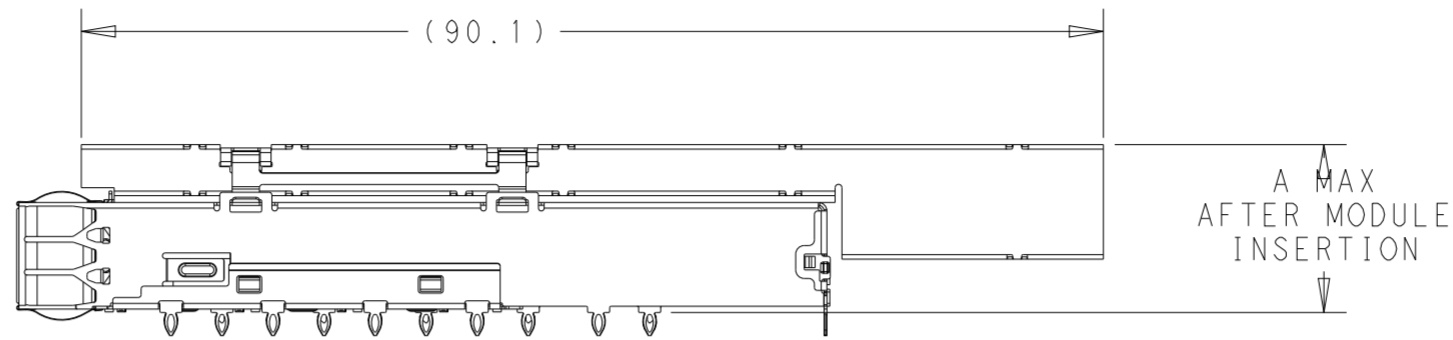
THIS DRAWING IS A CONTROLLED DOCUMENT.		DWN J. WANG 10OCT2018	 TE Connectivity	
DIMENSIONS:		CHK S. HAN 10OCT2018		
mm	TOLERANCES UNLESS OTHERWISE SPECIFIED:	APVD S. HAN 10OCT2018	NAME CAGE WITH HEATSINK THRU BEZEL, 1X4, QSFP DD	
0 PLC	±0.25	PRODUCT SPEC	SIZE A2	
1 PLC	±0.25	APPLICATION SPEC	CAGE CODE -	
2 PLC	±0.25	WEIGHT	DRAWING NO C-2343989	
3 PLC	±	CUSTOMER DRAWING	RESTRICTED TO -	
4 PLC	±	SCALE	2:1	
ANGLES	±	SHEET	2 OF 7	
FINISH	-	REV	A1	


THIS DRAWING IS UNPUBLISHED. RELEASED FOR PUBLICATION 20
 © COPYRIGHT 20 BY - ALL RIGHTS RESERVED.

REVISIONS				
P	LTR	DESCRIPTION	DATE	APVD
-		SEE SHEET 1	-	-



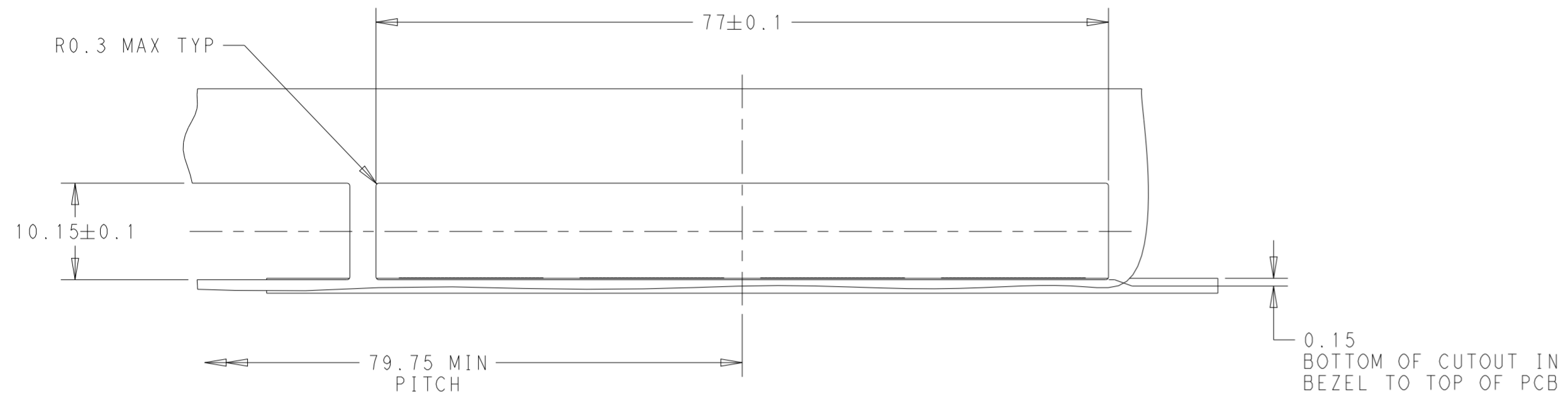
2343989-7 AS SHOWN
 SAME AS -1 EXCEPT HEAT SINK
 SCALE 3:2



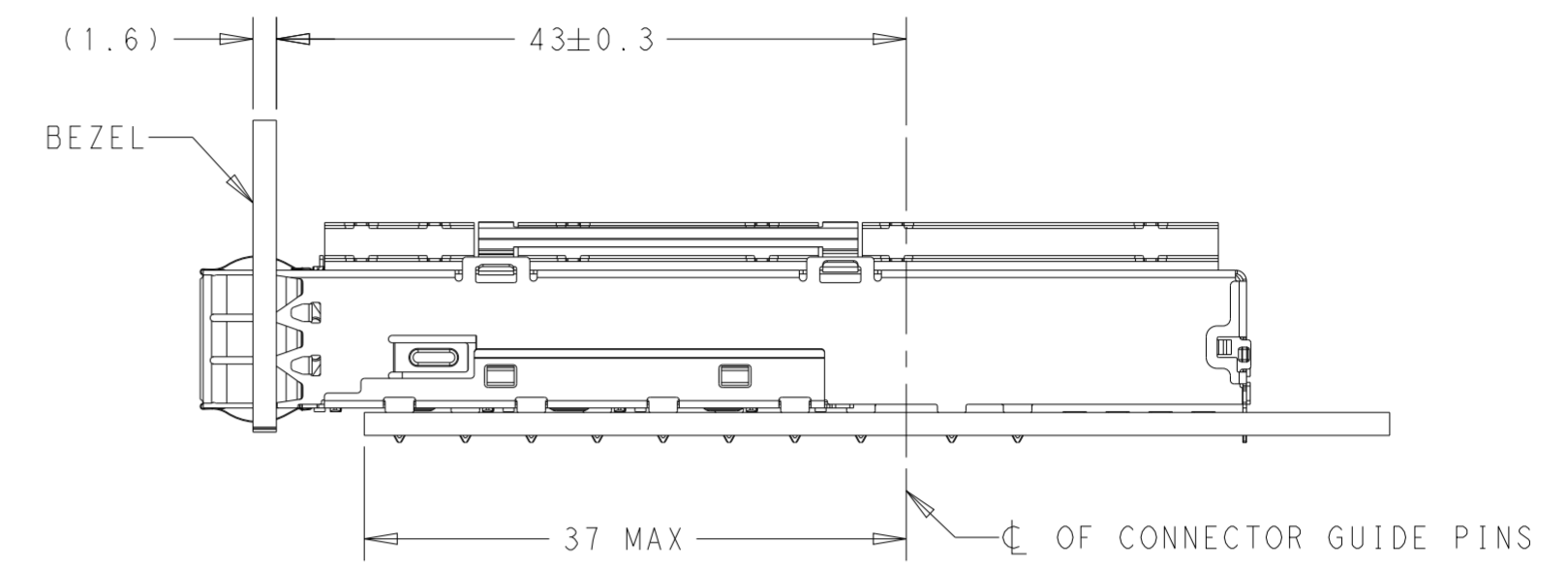
THIS DRAWING IS A CONTROLLED DOCUMENT.		DWN J. WANG 10OCT2018	 TE Connectivity	
DIMENSIONS: mm		CHK S. HAN 10OCT2018		
TOLERANCES UNLESS OTHERWISE SPECIFIED:		APVD S. HAN 10OCT2018	NAME CAGE WITH HEATSINK THRU BEZEL, 1X4, QSFP DD	
0 PLC ±0.25 1 PLC ±0.25 2 PLC ±0.25 3 PLC ± 4 PLC ± ANGLES ± FINISH ±		PRODUCT SPEC -	RESTRICTED TO -	
MATERIAL -		APPLICATION SPEC -	SIZE A2	CAGE CODE -
		WEIGHT -	DRAWING NO C-2343989	
		CUSTOMER DRAWING	SCALE 2:1	SHEET 3 OF 7
			REV A1	

THIS DRAWING IS UNPUBLISHED. RELEASED FOR PUBLICATION 20
 © COPYRIGHT 20 BY - ALL RIGHTS RESERVED.

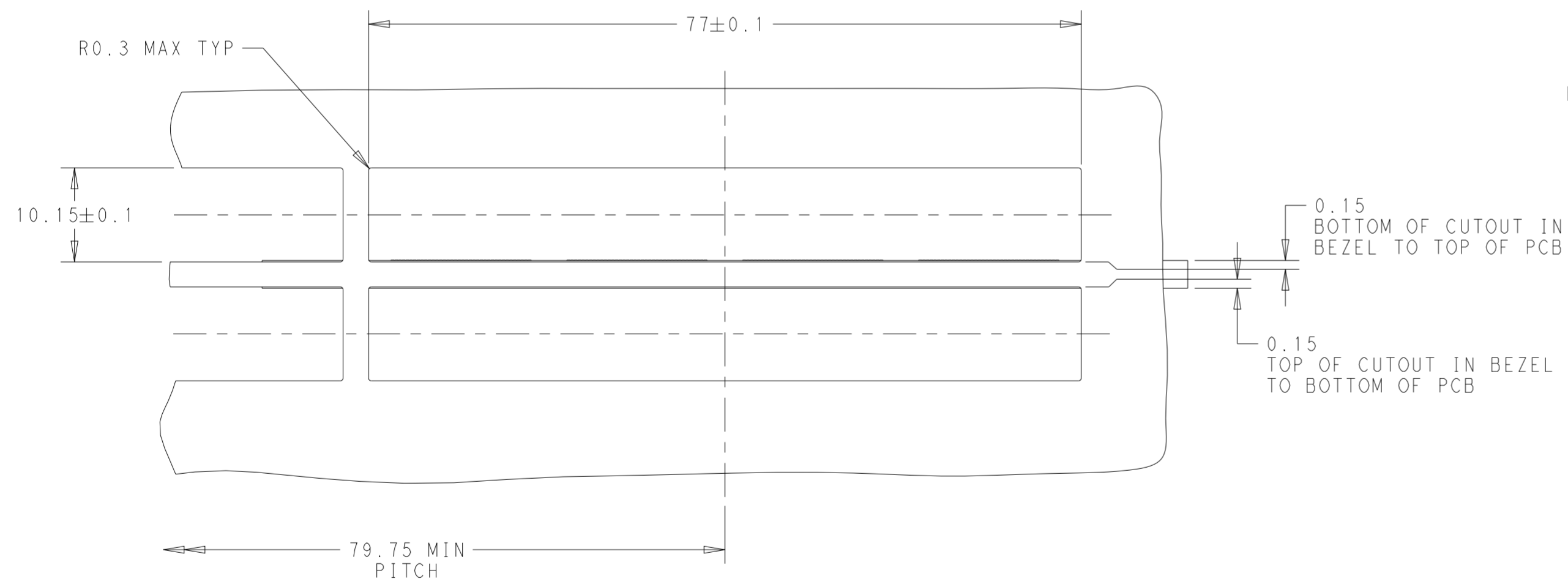
REVISIONS				
P	LTR	DESCRIPTION	DATE	APVD
-	-	SEE SHEET 1	-	-



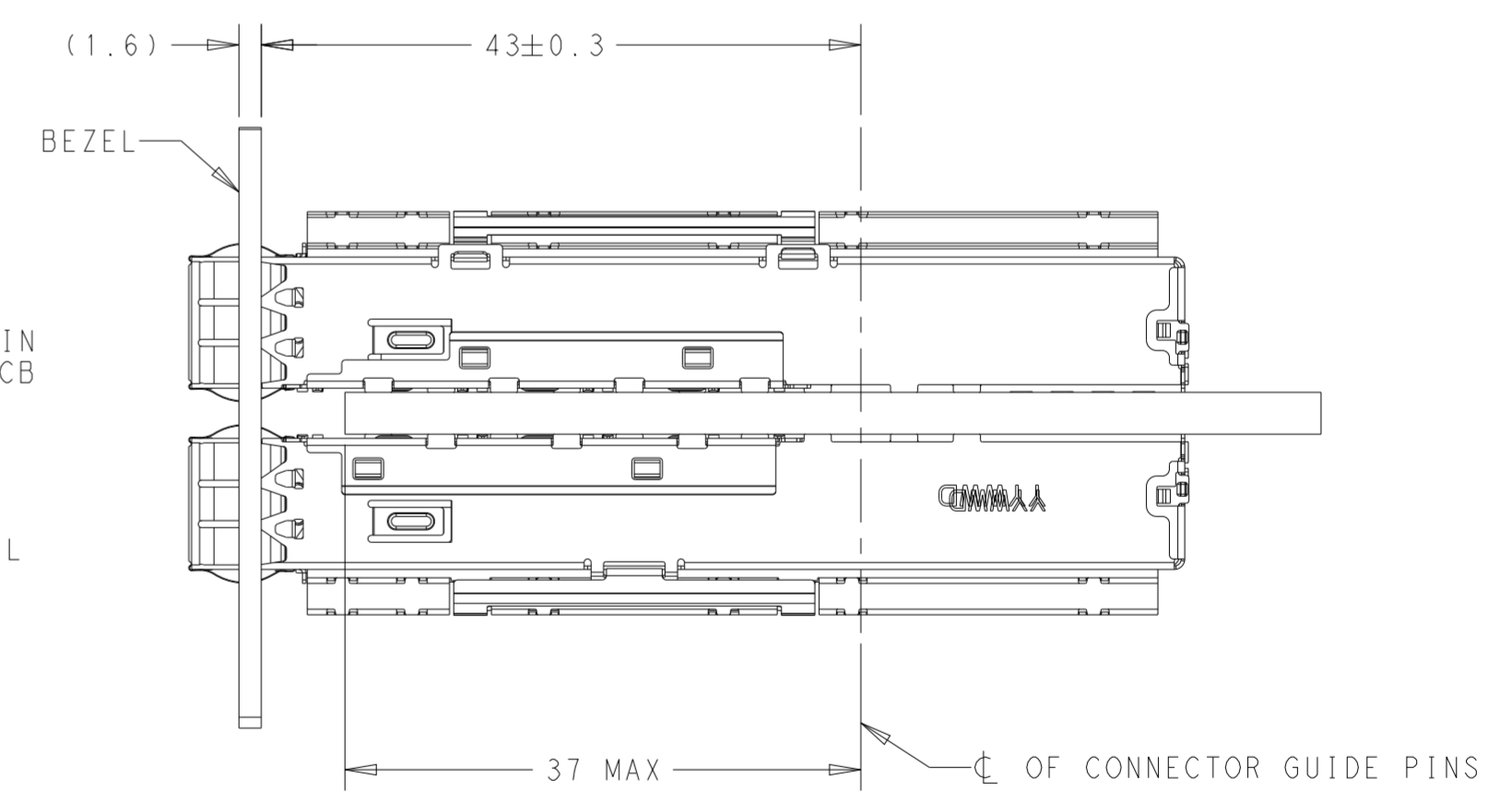
CAGE ASSEMBLY OMITTED FOR CLARITY



SINGLE SIDE MOUNTING



CAGE ASSEMBLY OMITTED FOR CLARITY

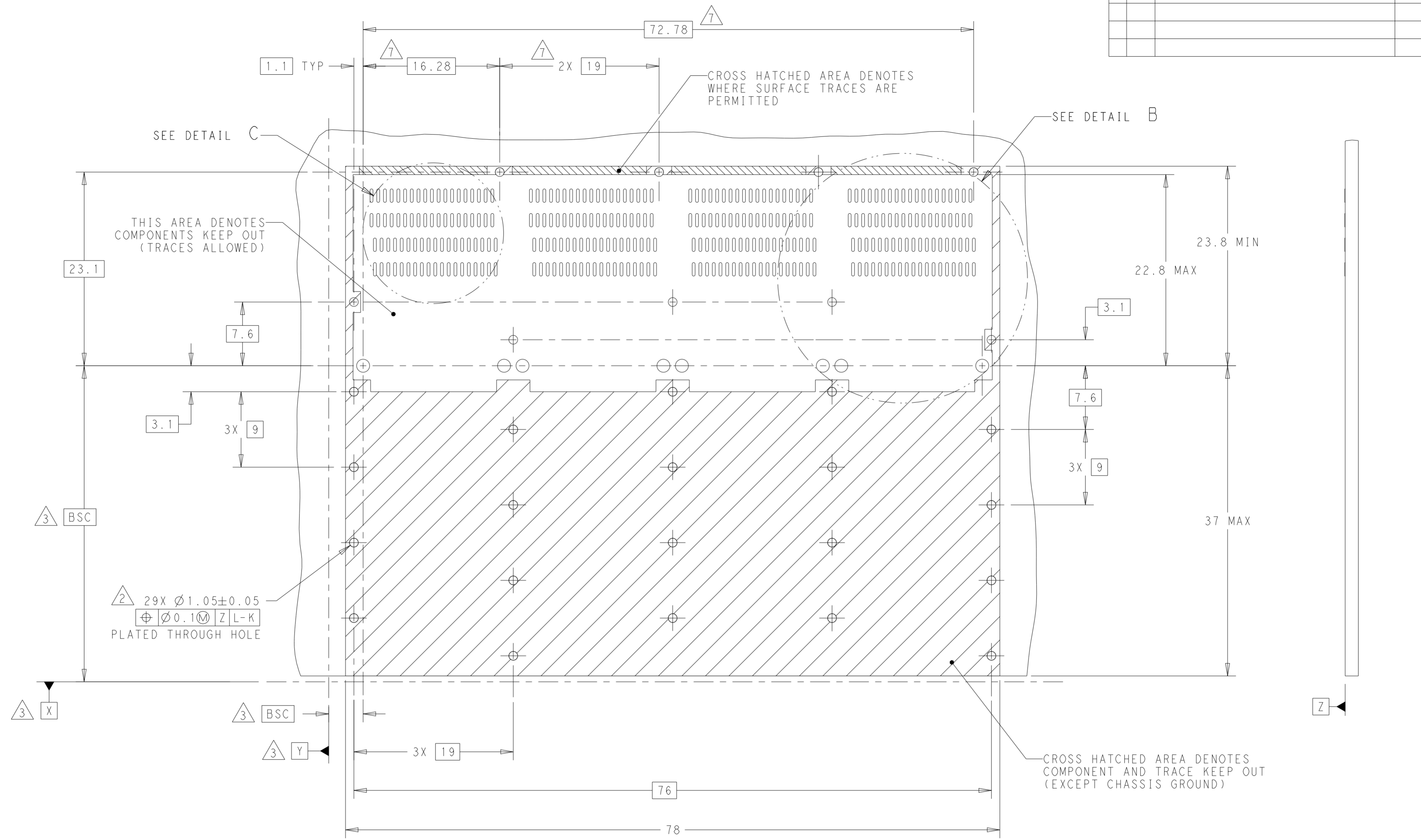


BELLY TO BELLY MOUNTING

THIS DRAWING IS A CONTROLLED DOCUMENT.		DWN J. WANG 10OCT2018	TE Connectivity	
DIMENSIONS: mm		CHK S. HAN 10OCT2018		
TOLERANCES UNLESS OTHERWISE SPECIFIED:		APVD S. HAN 10OCT2018	NAME CAGE WITH HEATSINK THRU BEZEL, 1X4, QSFP DD	
0 PLC	±0.25	PRODUCT SPEC	SIZE	RESTRICTED TO
1 PLC	±0.25	APPLICATION SPEC	A2	-
2 PLC	±0.25	WEIGHT	C-2343989	-
3 PLC	±	CUSTOMER DRAWING	SCALE	SHEET
4 PLC	±		2:1	4 OF 7
ANGLES	±			REV
FINISH	±			A1

THIS DRAWING IS UNPUBLISHED. RELEASED FOR PUBLICATION 20
 © COPYRIGHT 20 BY - ALL RIGHTS RESERVED.

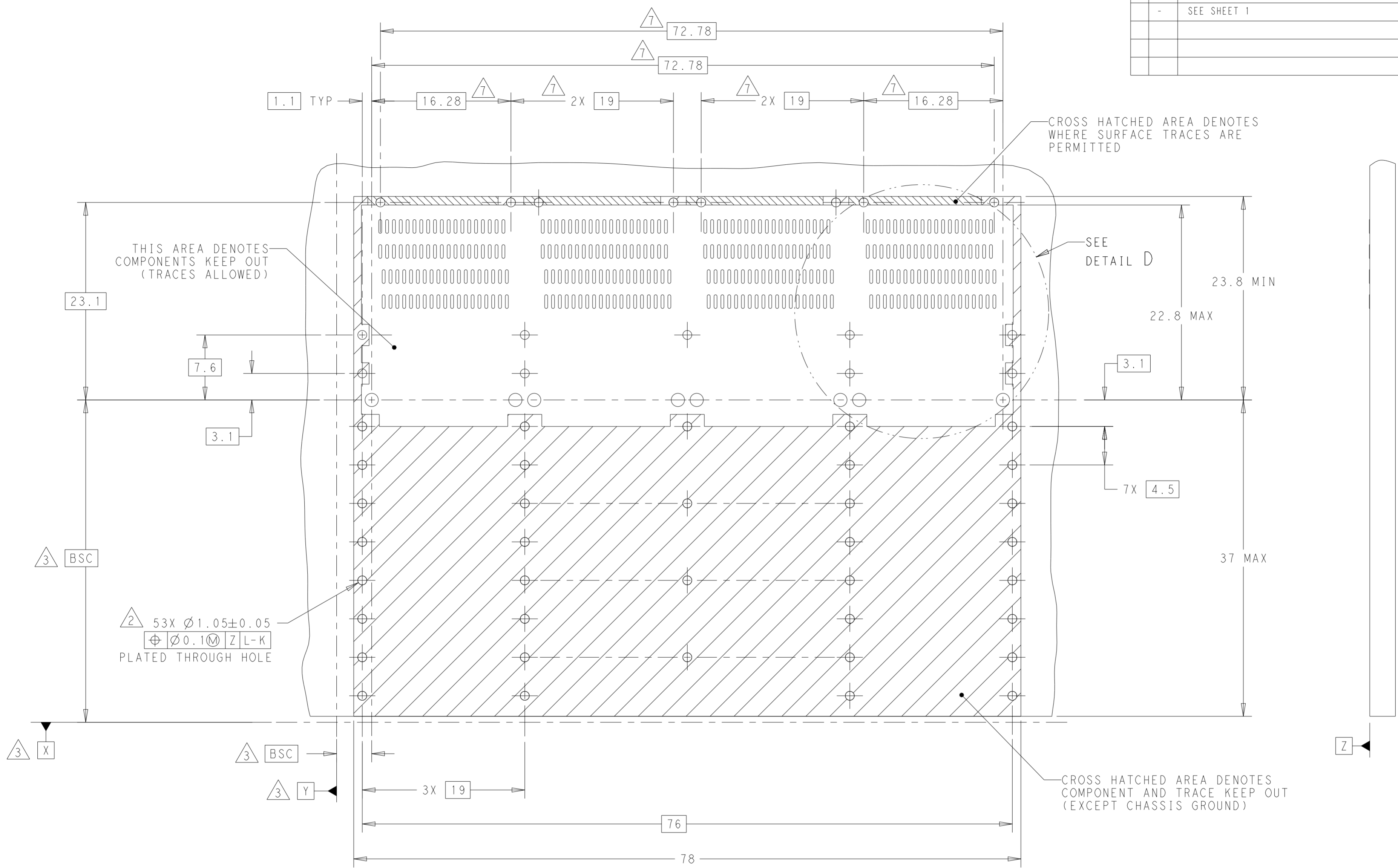
REVISIONS				
P	LTR	DESCRIPTION	DATE	APVD
-	-	SEE SHEET 1	-	-




RECOMMENDED PCB LAYOUT
 SINGLE TYPE
 SCALE 3:1

THIS DRAWING IS A CONTROLLED DOCUMENT.		DWN J. WANG	10OCT2018	TE Connectivity	
DIMENSIONS: mm		CHK S. HAN	10OCT2018		
TOLERANCES UNLESS OTHERWISE SPECIFIED:		APVD S. HAN	10OCT2018	NAME CAGE WITH HEATSINK THRU BEZEL, 1X4, QSFP DD	
0 PLC	±0.25	PRODUCT SPEC	-	SIZE	A2
1 PLC	±0.25	APPLICATION SPEC	-	CAGE CODE	-
2 PLC	±0.25	WEIGHT	-	DRAWING NO	C-2343989
3 PLC	±	CUSTOMER DRAWING	-	SCALE	2:1
4 PLC	±			SHEET	5 OF 7
ANGLES	±			REV	A1
FINISH	±				

REVISIONS				
P	LTR	DESCRIPTION	DATE	APVD
-	-	SEE SHEET 1	-	-



RECOMMENDED PCB LAYOUT
 BELLY TO BELLY
 SCALE 3:1

THIS DRAWING IS A CONTROLLED DOCUMENT.		DWN J. WANG 10OCT2018	 TE Connectivity
DIMENSIONS: mm		CHK S. HAN 10OCT2018	
TOLERANCES UNLESS OTHERWISE SPECIFIED:		APVD S. HAN 10OCT2018	NAME CAGE WITH HEATSINK THRU BEZEL, 1X4, QSFP DD
0 PLC ±0.25	1 PLC ±0.25	PRODUCT SPEC	SIZE A2
2 PLC ±0.25	3 PLC ±	APPLICATION SPEC	CAGE CODE -
4 PLC ±	ANGLES ±	WEIGHT	DRAWING NO C-2343989
MATERIAL	FINISH	CUSTOMER DRAWING	RESTRICTED TO -
		SCALE 2:1	SHEET 6 OF 7
		REV A1	