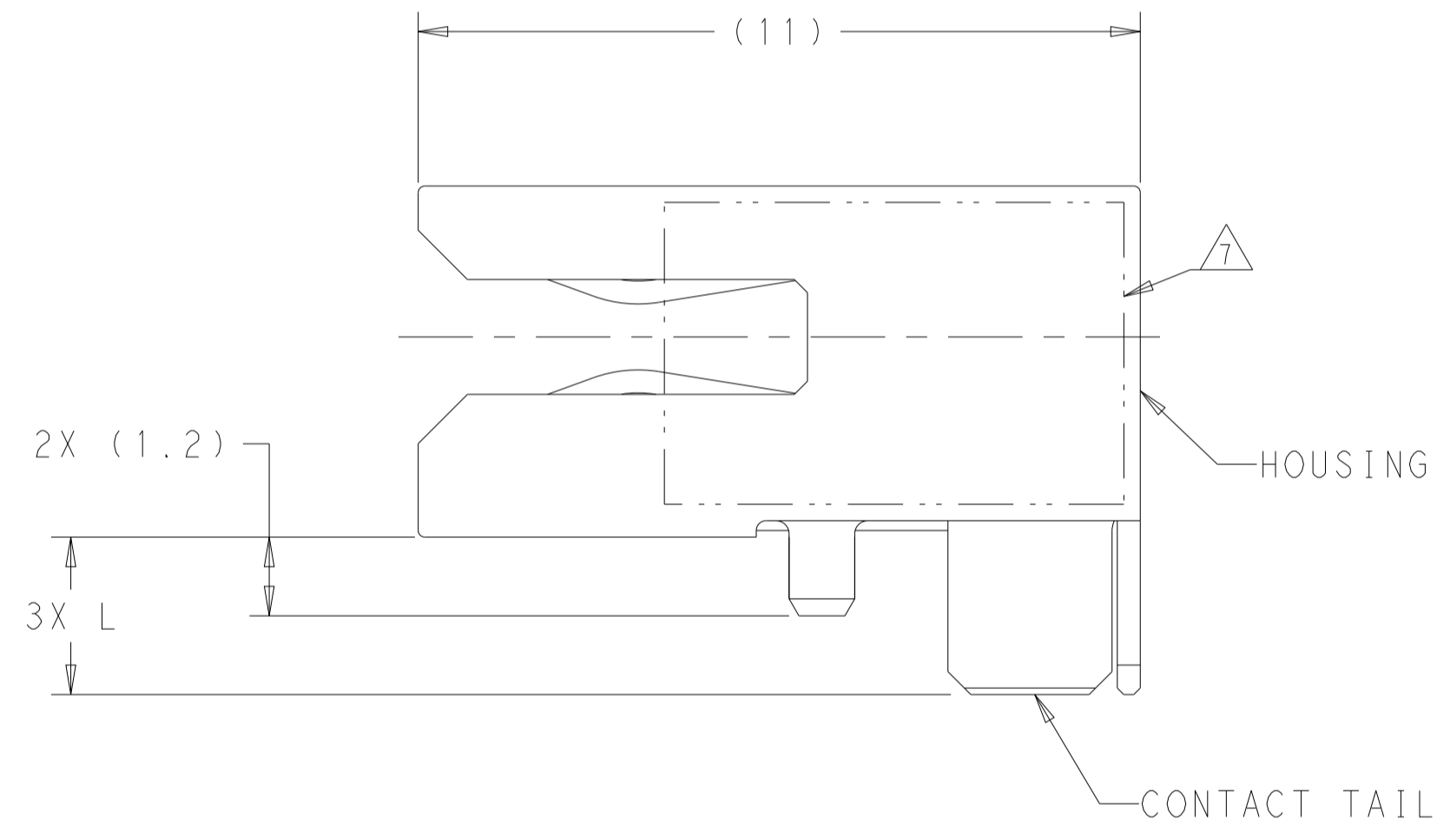
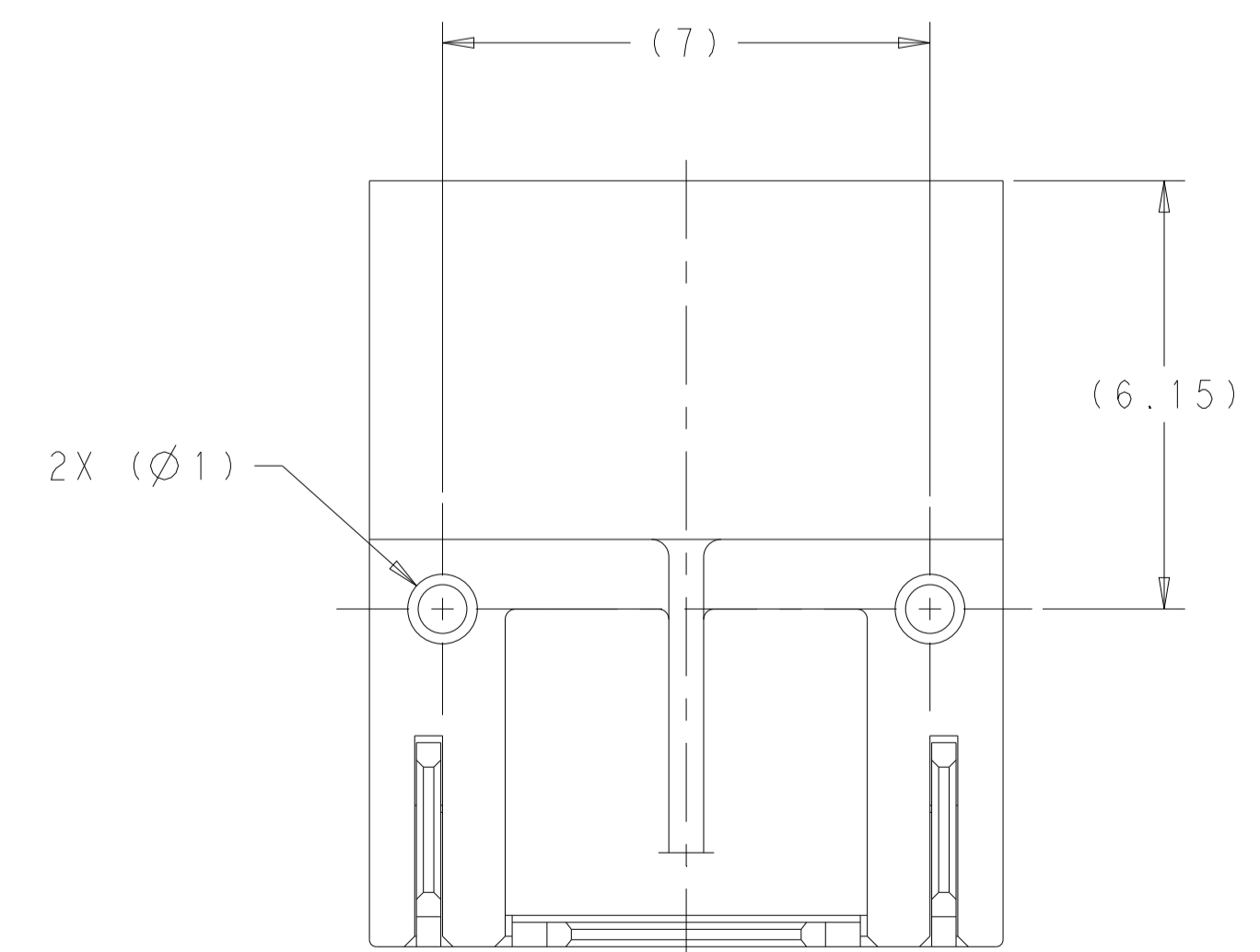
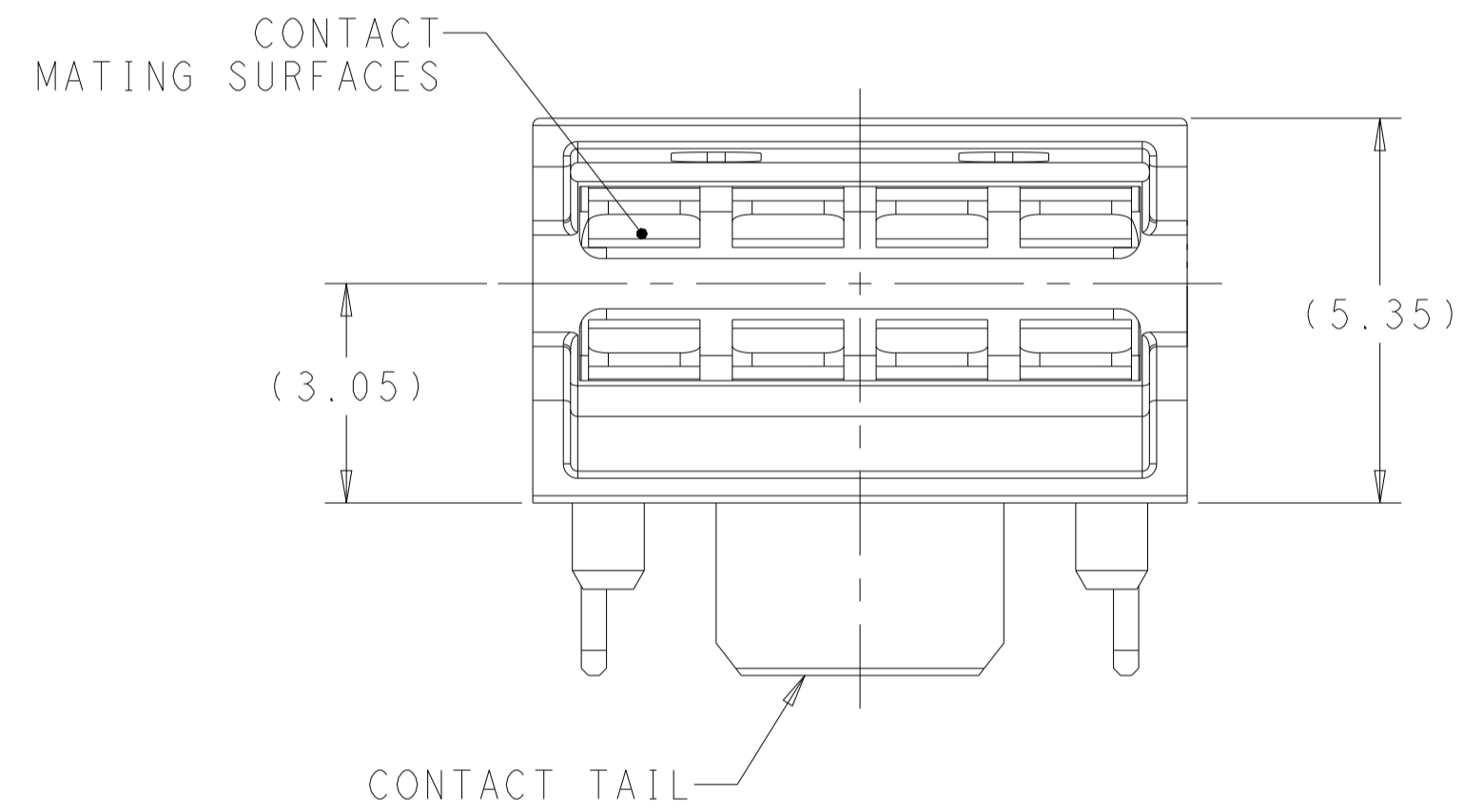
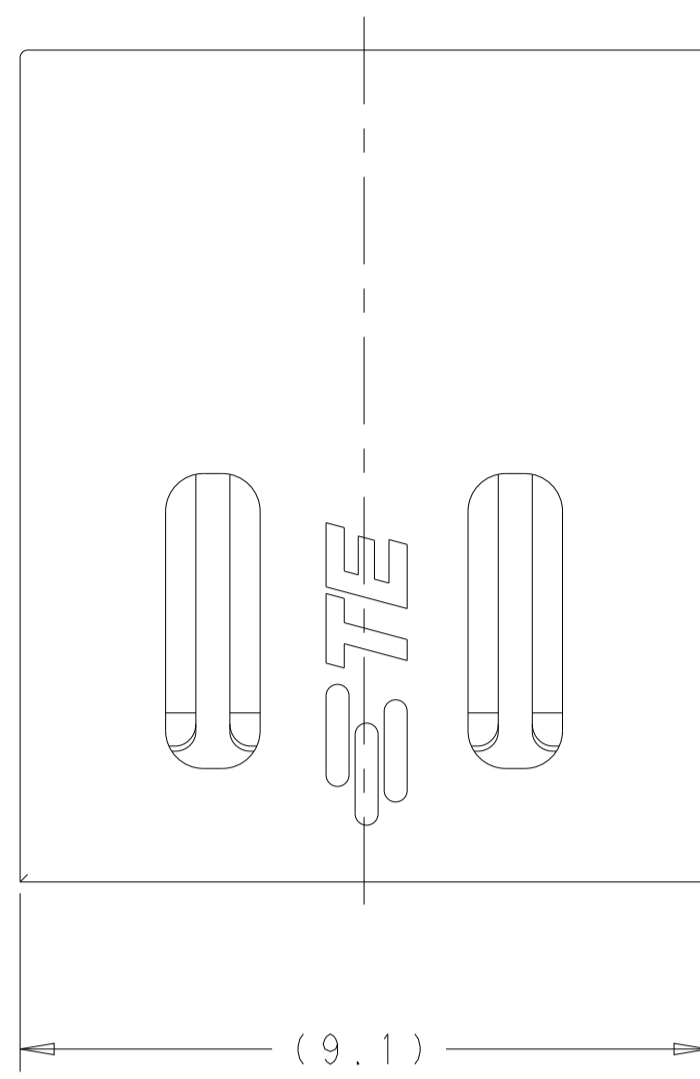
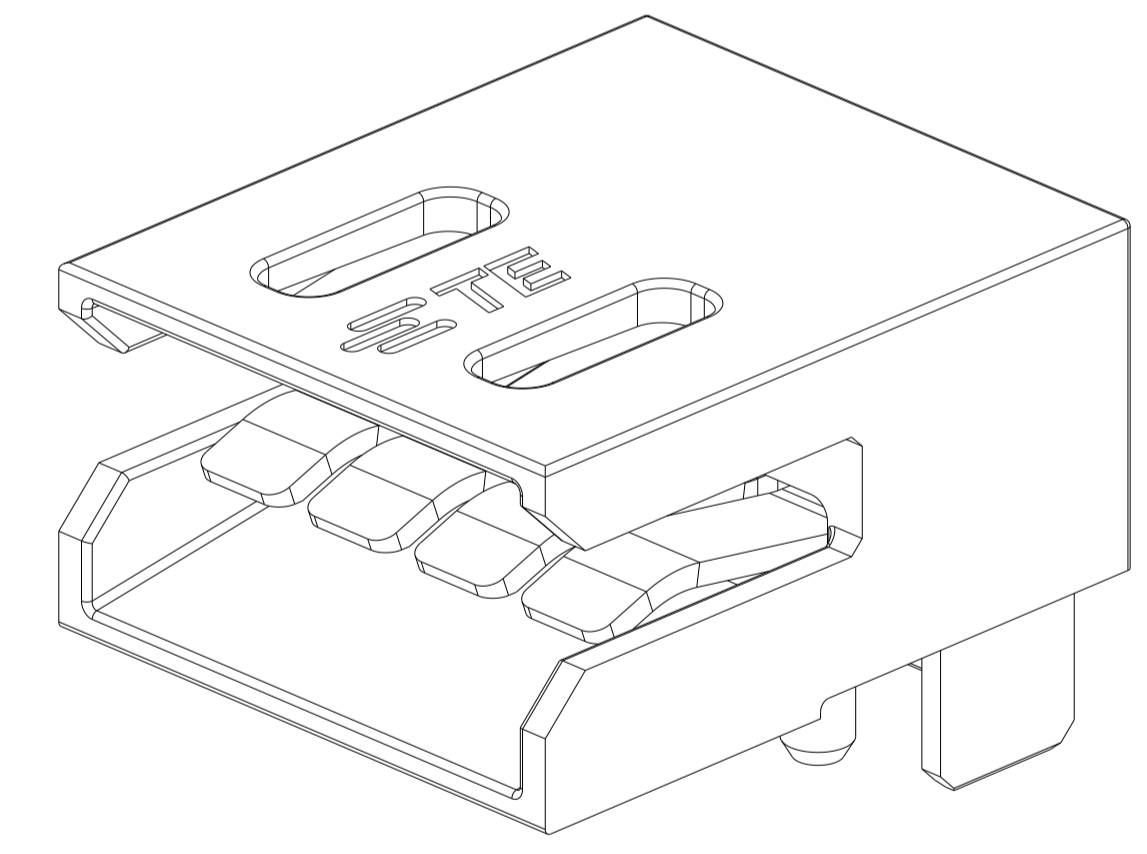


REVISIONS				
P	LTN	DESCRIPTION	DATE	APVD
A1		ECN-22-133227	04JAN2022	HA DS



- △ HOUSING - LCP, BLACK.
CONTACTS - COPPER ALLOY.
- △ CONFORMS TO THE REQUIREMENTS OF TE PRODUCT SPECIFICATION 108-130028 BASED ON TELCORDIA GR-1217-CORE FOR SYSTEM QUALITY LEVEL III, APPLICATIONS IN CONTROLLED ENVIRONMENTS (CENTRAL OFFICE). REFERENCE: CONTACT MATE AREAS PLATED 0.38um MIN GOLD OR 0.03um MIN GOLD OVER 0.30um MIN PALLADIUM NICKEL, SOLDER TAILS PLATED MATTE-TIN.
- △ DATUMS AND BASIC DIMENSIONS ESTABLISHED BY CUSTOMER.
- 4. MINIMUM HOST PCB THICKNESS: 1.5.
- △ SEE MSA SPECIFICATION SFF-1002 FOR ADDITIONAL PADDLE CARD LAYOUTS COMPATIBLE WITH THIS RECEPTACLE AND FOR OPTIONAL SPLIT CONTACT PAD LAYOUTS FOR THE PADDLE CARD. SPECIFICATION PINOUT MAY ALSO DESIGNATE PAD SEQUENCE DIFFERENT FROM ILLUSTRATION.
- △ COMPONENT AND TRACE KEEP OUT AREA. EACH EDGE 0.15 MIN FROM EDGE OF HOLE.
- △ PART NUMBER AND DATE CODE MARKED IN APPROXIMATE AREA SHOWN.
- △ TAPE AND REEL PACKAGED FOR PICK AND PLACE SMT PROCESSING, SEE FIGURE 1. POCKET TAPE : WIDTH = 24
- △ CONFORMS TO THE REQUIREMENTS OF TE PRODUCT SPECIFICATION 108-130028 BASED ON TELCORDIA GR-1217-CORE FOR SYSTEM QUALITY LEVEL III, APPLICATIONS IN CONTROLLED ENVIRONMENTS (CENTRAL OFFICE). REFERENCE: CONTACT MATE AREAS PLATED 0.76um MIN GOLD.



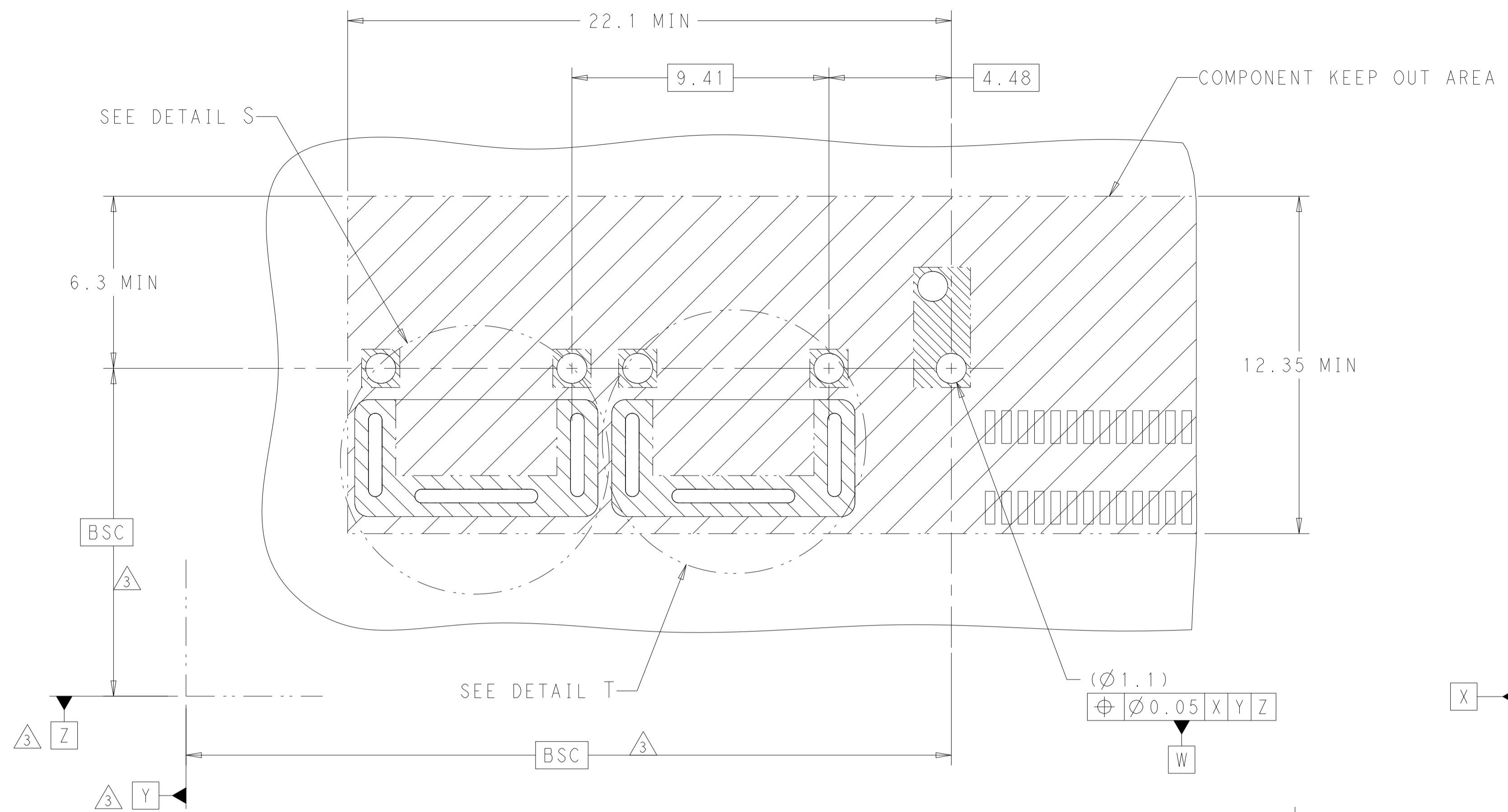
△ 9	(1.2)	2351970-4
△ 9	(2.4)	2351970-3
△ 2	(1.2)	2351970-2
△ 2	(2.4)	2351970-1
PLATING	L	PART NUMBER

THIS DRAWING IS A CONTROLLED DOCUMENT.

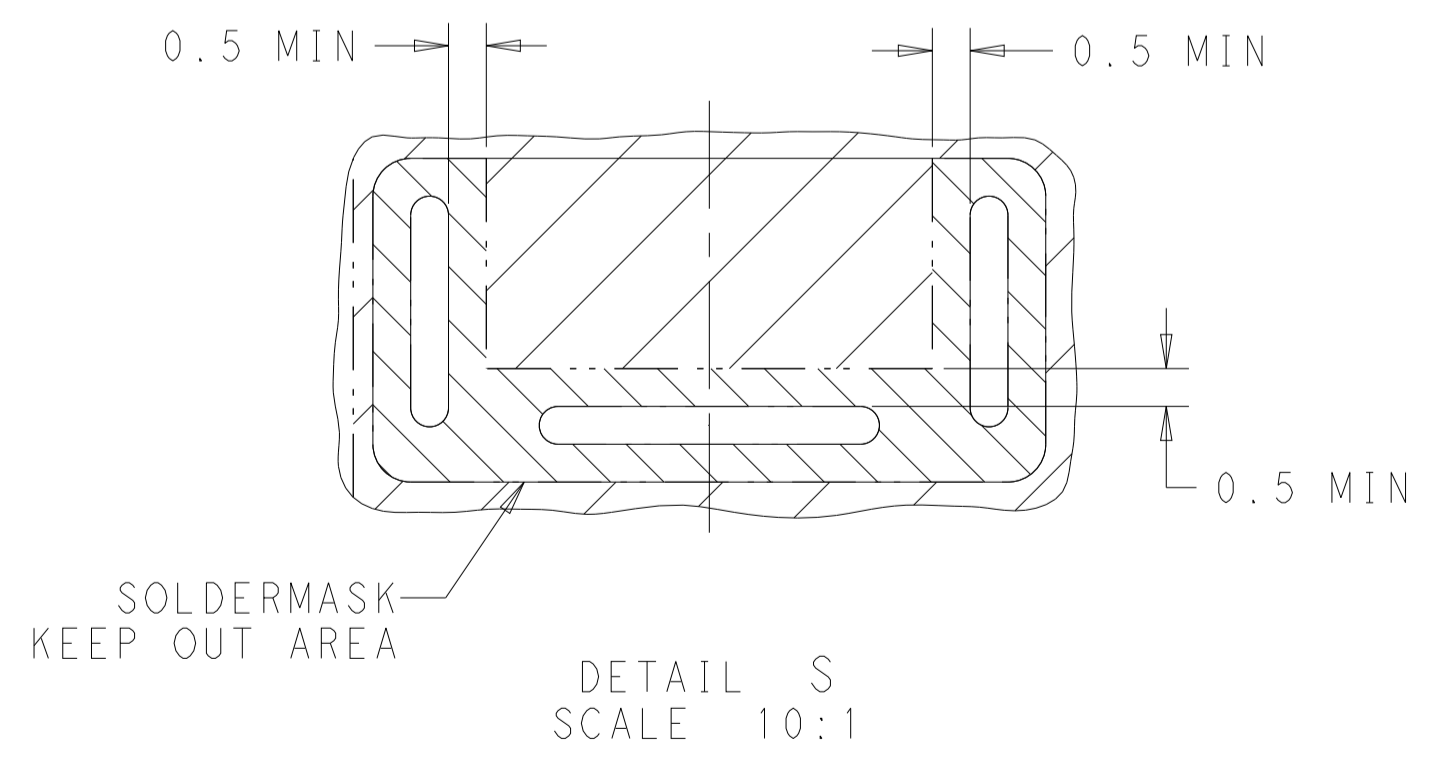
DIMENSIONS:	TOLERANCES UNLESS OTHERWISE SPECIFIED:	OWN M. HORNUNG 26FEB2019	CHK M. HORNUNG 26FEB2019	APVD D. SHIRK 26FEB2019	NAME
mm	0 PLC ±0.1				RECEPTACLE ASSEMBLY, RIGHT ANGLE
	2 PLC ±0.13				SLIVER POWER
	3 PLC ±0.050				
	4 PLC ±				
	ANGLES ±				
	FINISH ±				
MATERIAL		114-130013	SIZE	CAGE CODE	DRAWING NO
		WEIGHT	A1	00779	2351970
		CUSTOMER DRAWING	SCALE	1:1	SHEET 1 OF 4

RESTRICTED TO REV A1

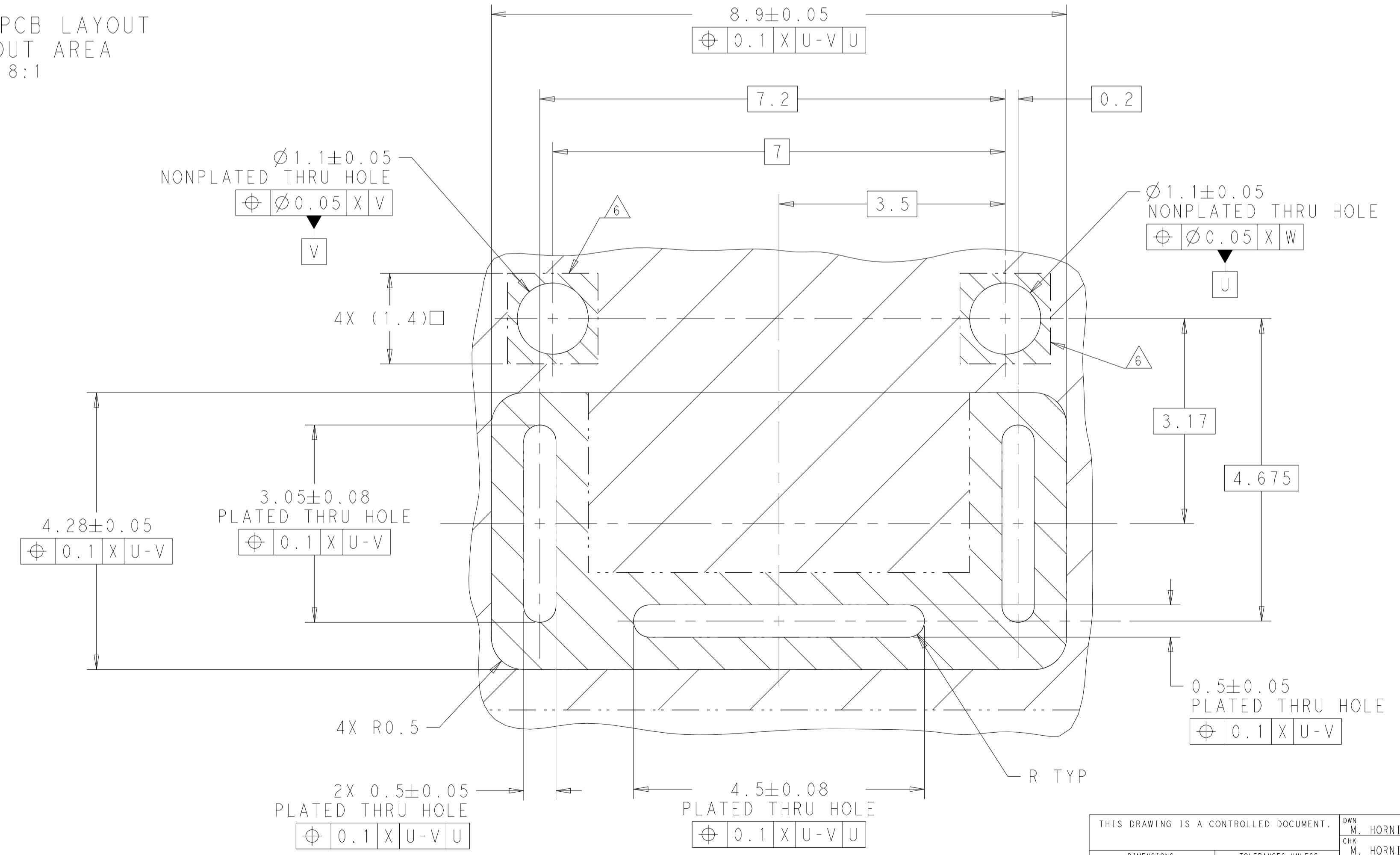
REVISIONS				
P	LTN	DESCRIPTION	DATE	APVD
-	-	SEE SHEET 1	-	-



RECOMMENDED PCB LAYOUT AND KEEP OUT AREA
 SCALE 8:1



DETAIL S
 SCALE 10:1



DETAIL T
 SCALE 20:1

THIS DRAWING IS A CONTROLLED DOCUMENT.		DWN M. HORNIG 26FEB2019 CHK M. HORNIG 26FEB2019 APVD D. SHIRK 26FEB2019	TE Connectivity NAME RECEPTACLE ASSEMBLY, RIGHT ANGLE SLIVER POWER PRODUCT SPEC 108-130028 APPLICATION SPEC 114-130013 WEIGHT - CUSTOMER DRAWING	SIZE A1 CAGE CODE 00779 DRAWING NO. C=2351970	RESTRICTED TO
DIMENSIONS: mm 0 PLC ± 1 PLC ±0.1 2 PLC ±0.13 3 PLC ±0.050 4 PLC ± ANGLES FINISH ±	TOLERANCES UNLESS OTHERWISE SPECIFIED:	SCALE 1:1 SHEET 2 OF 4 REV A1			

