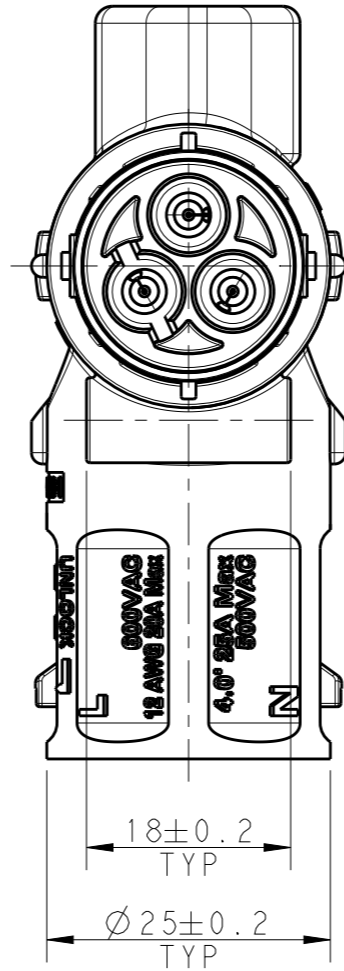
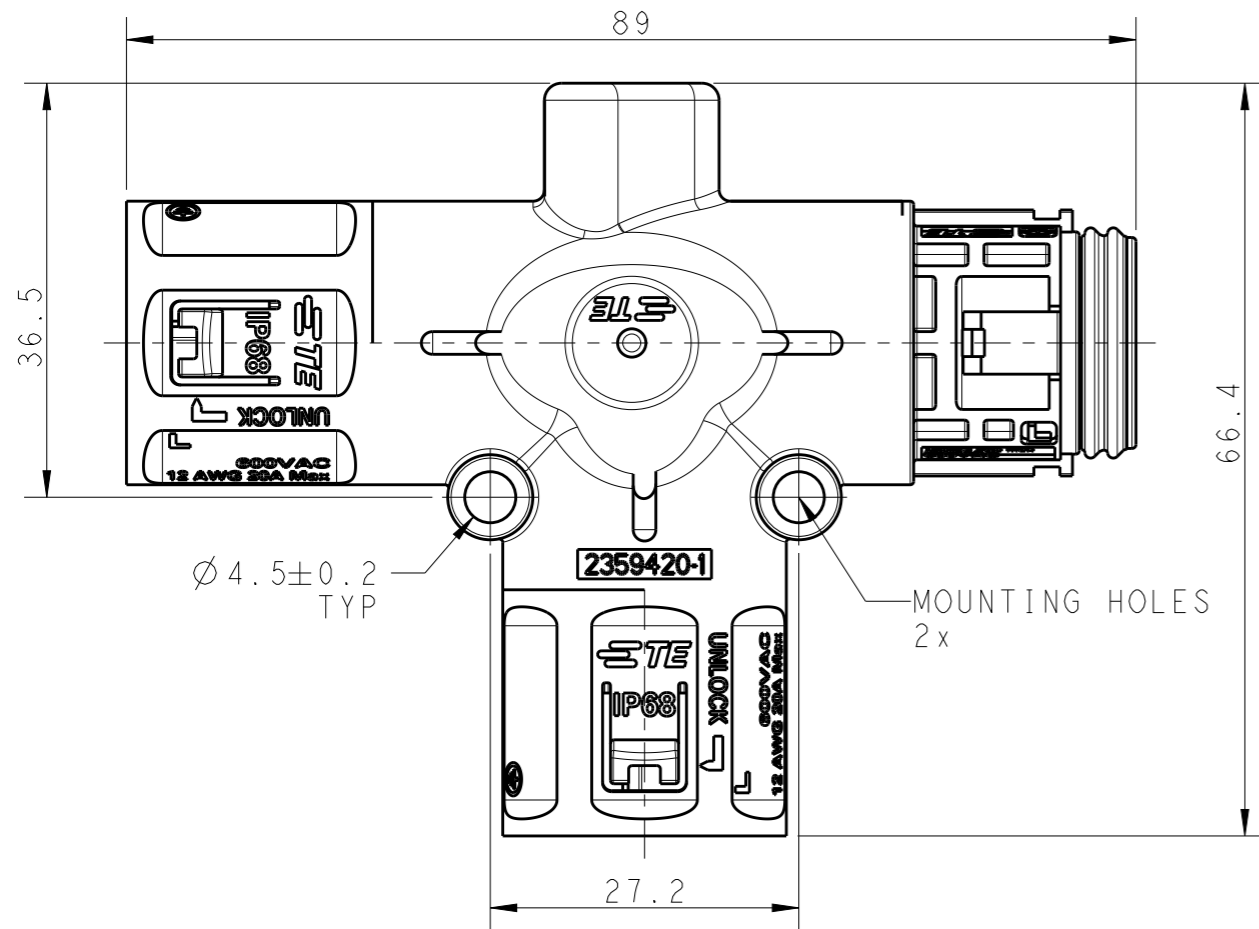
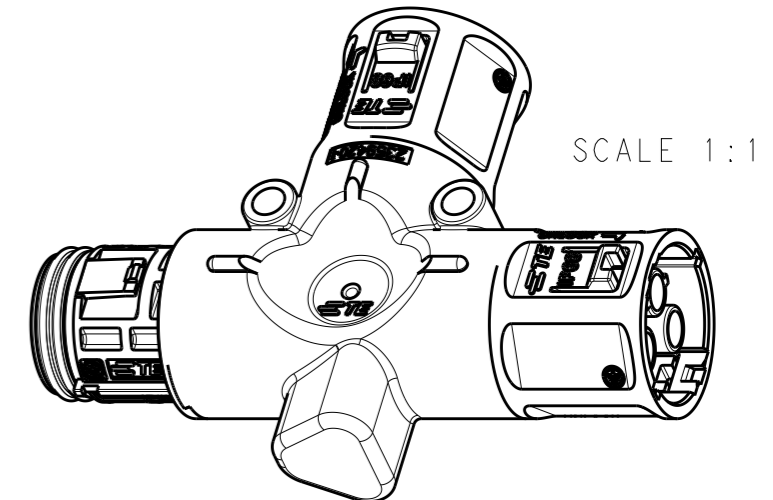


P	LTR	DESCRIPTION	DATE	DWN	APVD
1		INITIAL ISSUE	19AUG2020	SM	MZ
2		DRAFTING UPDATES	03SEP2020	SM	MZ
A		PRODUCT UNDER TESTING	24NOV2020	SM	MZ



NOTES:

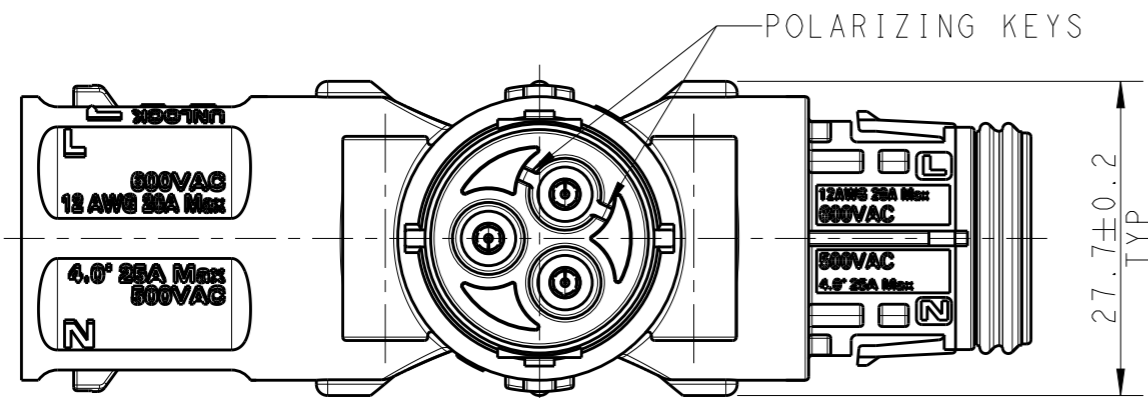
- MATERIALS:  
PLASTICS: PBT+PC ALLOY, UL-V0, UV-F1  
CONTACTS: COPPER ALLOY, TIN PLATED
- OPERATING RATINGS :  
VOLTAGE (max): 600Vac Max  
CURRENT (max): 25A ON 4.0mm<sup>2</sup> & 20A ON 12AWG  
TEMPERATURE : -40°C TO 85°C  
IP RATING : IP67 & IP68
- FOR ASSEMBLY INSTRUCTIONS, REFER APPLICATION SPECIFICATION 114-133123
- PACKAGING: MOQ 200 pcs IN PE BAG



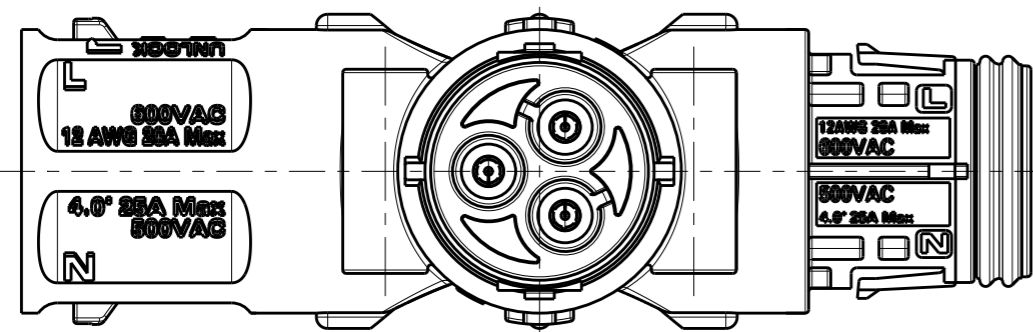
**PRODUCT UNDER TESTING**  
CONTACT PRODUCT ENGINEERING  
BEFORE USING THIS PRINT

KEY	DESCRIPTION	PART NUMBER
KEY B	T- SPLITTER	2359420-2
KEY A		2359420-1

THIS DRAWING IS A CONTROLLED DOCUMENT.		DWN SUBHASH.M 19AUG2020			
DIMENSIONS: mm		CHK M. ZUCCA 03SEP2020			
TOLERANCES UNLESS OTHERWISE SPECIFIED:		APVD PETER OTT 24NOV2020		NAME NECTOR T, 3Pos, T-SPLITTER	
0 PLC ±0.4		PRODUCT SPEC 108-133123		SIZE CAGE CODE DRAWING NO RESTRICTED TO	
1 PLC ±0.4		APPLICATION SPEC 114-133123		A300779 C-2359420	
2 PLC ±0.1		WEIGHT -		SCALE 3:2 SHEET 1 OF 1 REV A	
3 PLC ±		CUSTOMER DRAWING			
4 PLC ±					
ANGLES ±°					
MATERIAL -					
FINISH -					



POLARIZING KEY A  
2359420-1



POLARIZING KEY B  
2359420-2