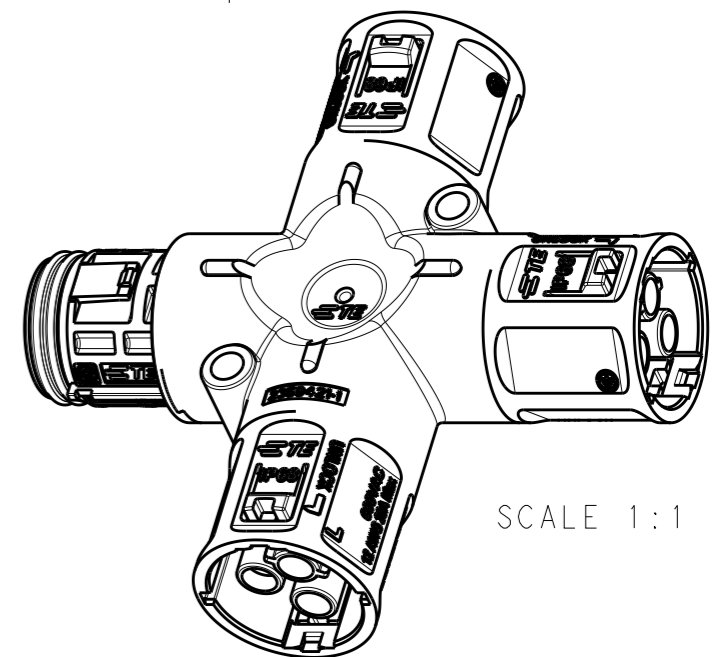


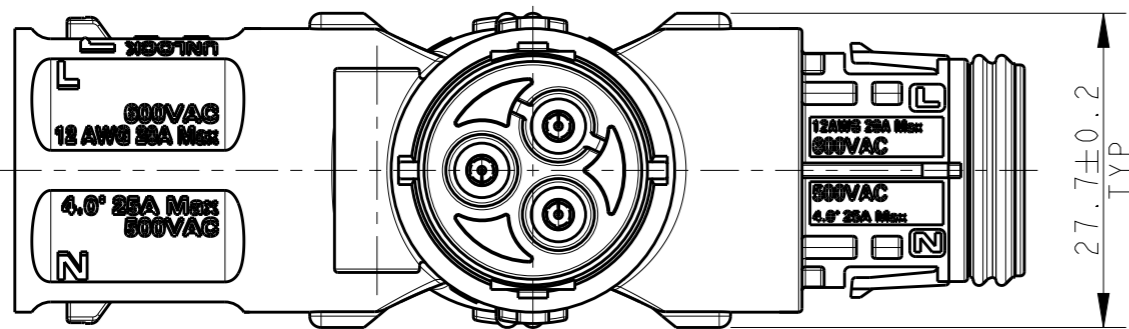
REVISIONS					
P	LTR	DESCRIPTION	DATE	DWN	APVD
1		INITIAL ISSUE	19AUG2020	SM	MZ
2		DRAFTING UPDATES	03SEP2020	SM	MZ
A		PRODUCT UNDER TESTING	24NOV2020	SM	MZ

NOTES:

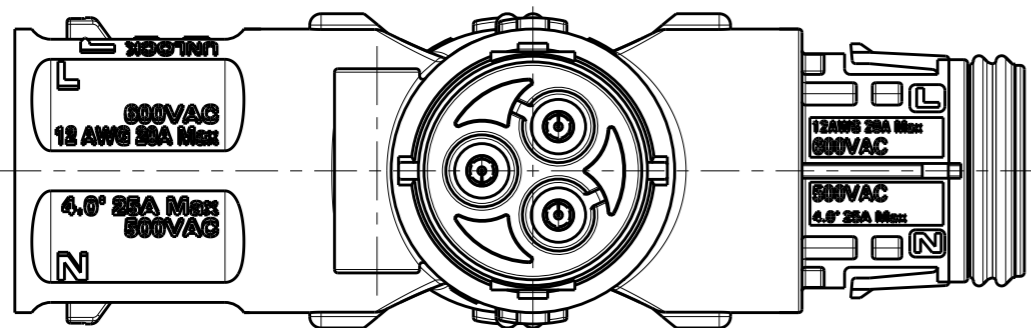
- MATERIALS:  
PLASTICS: PBT+PC ALLOY, UL-V0, UV-F1  
CONTACTS: COPPER ALLOY, TIN PLATED
- OPERATING RATINGS :  
VOLTAGE (max): 600Vac Max  
CURRENT (max): 25A ON 4.0mm<sup>2</sup> & 20A ON 12AWG  
TEMPERATURE : -40°C TO 85°C  
IP RATING : IP67 & IP68
- FOR ASSEMBLY INSTRUCTIONS, REFER APPLICATION SPECIFICATION 114-133123
- PACKAGING: MOQ 200 pcs IN PE BAG



**PRODUCT UNDER TESTING**  
CONTACT PRODUCT ENGINEERING  
BEFORE USING THIS PRINT



POLARIZING KEY A  
2359421-1



POLARIZING KEY B  
2359421-2

KEY	DESCRIPTION	PART NUMBER
KEY B	MULTI SPLITTER	2359421-2
KEY A		2359421-1
POLARIZING KEY	DESCRIPTION	PART NUMBER

THIS DRAWING IS A CONTROLLED DOCUMENT.

DIMENSIONS:	TOLERANCES UNLESS OTHERWISE SPECIFIED:
mm	
	0 PLC ±0.4
	1 PLC ±0.4
	2 PLC ±0.1
	3 PLC ±
	4 PLC ±
	ANGLES ±°
MATERIAL	FINISH
-	-

DWN	SUBHASH.M	19AUG2020
CHK	M. ZUCCA	03SEP2020
APVD	PETER OTT	24NOV2020
PRODUCT SPEC	108-133123	
APPLICATION SPEC	114-133123	
WEIGHT	-	
CUSTOMER DRAWING		

		TE Connectivity	
		NAME	
NECTOR T, 3Pos, MULTI SPLITTER			
SIZE	CAGE CODE	DRAWING NO	RESTRICTED TO
A3	00779	C-2359421	-
SCALE		SHEET	REV
3:2		1 OF 1	A