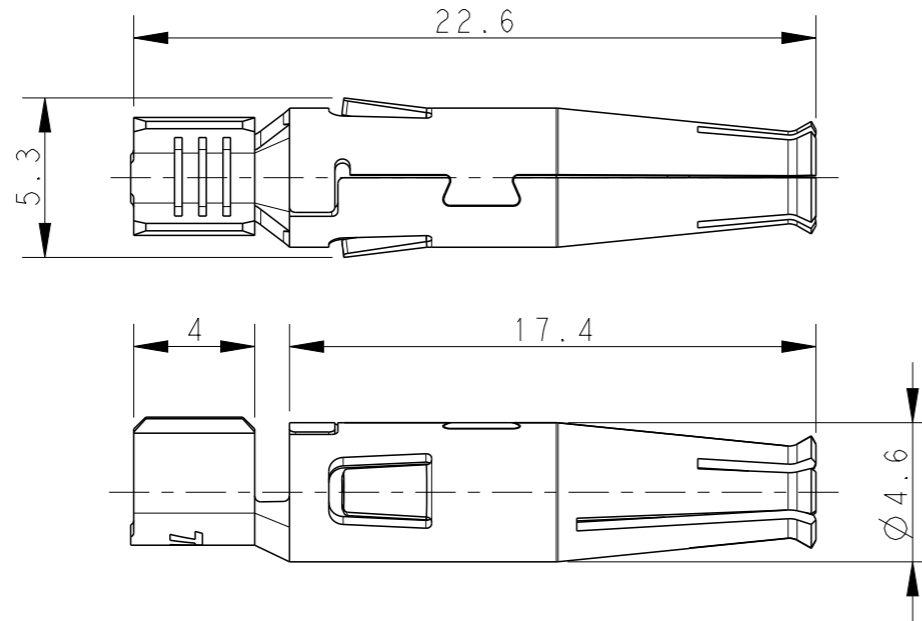


P	LTR	DESCRIPTION	DATE	DWN	APVD
1		INITIAL ISSUE	20AUG2020	SM	MZ
A		RELEASED TO PRODUCTION	26NOV2020	SM	MZ
A1		2359527-3 P/N ADDED FOR 18AWG	02JUN2021	SM	MZ
A2		18AWG RELEASED FOR PRODUCTION	28JAN2022	DM	SM

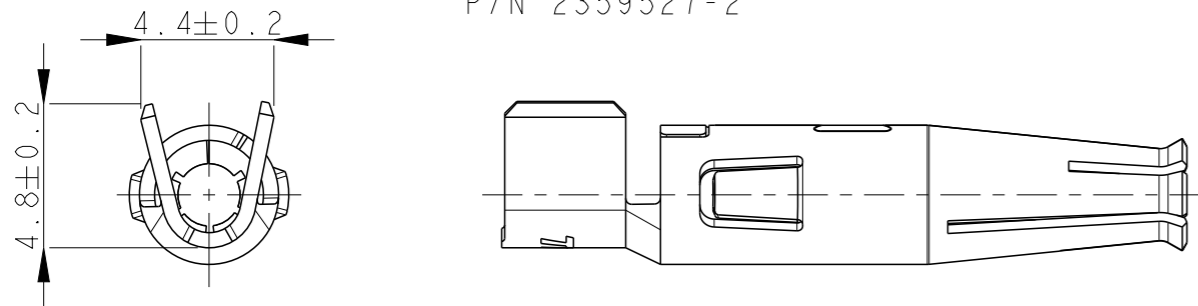
P/N 2359527-1



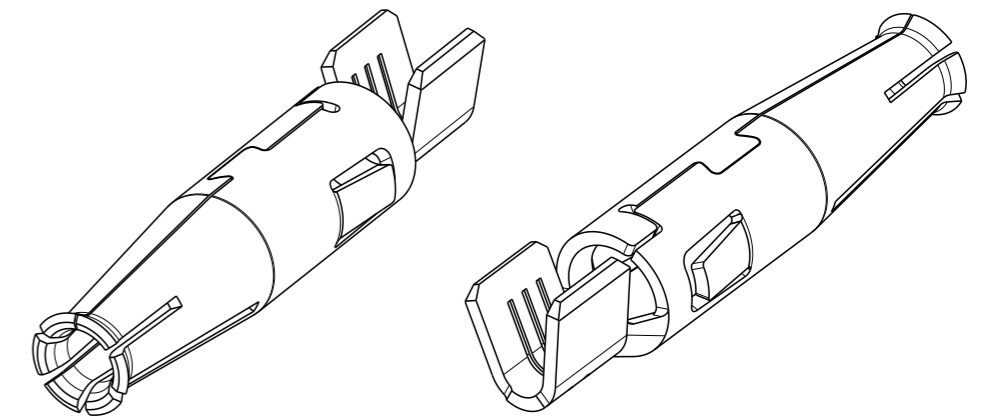
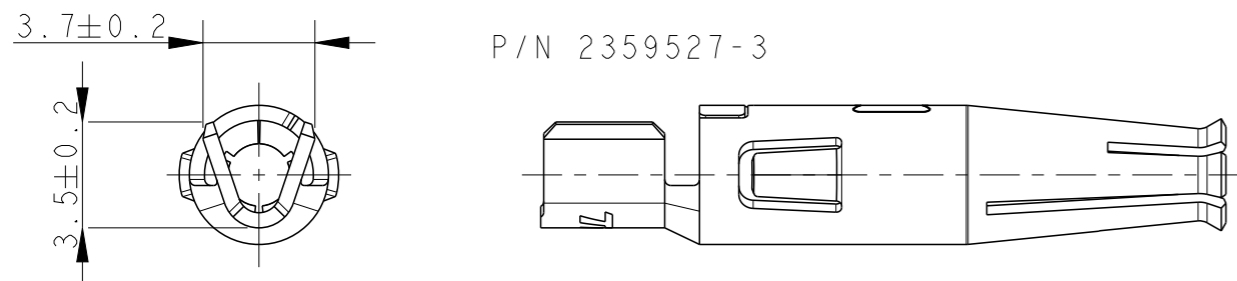
NOTES:

- MATERIAL: COPPER ALLOY, TEMPER >520 MPa
FINISH : BRIGHT TIN
- OPERATING RATINGS:
VOLTAGE (max): 600Vac Max
CURRENT (max): 25A ON 4.0mm² & 20A ON 12AWG
TEMPERATURE : -40°C TO 85°C
- FOR ASSEMBLY & CRIMP INSTRUCTIONS, REFER APPLICATION SPECIFICATION 114-133123
- PACKAGING: CONTACTS ON REEL

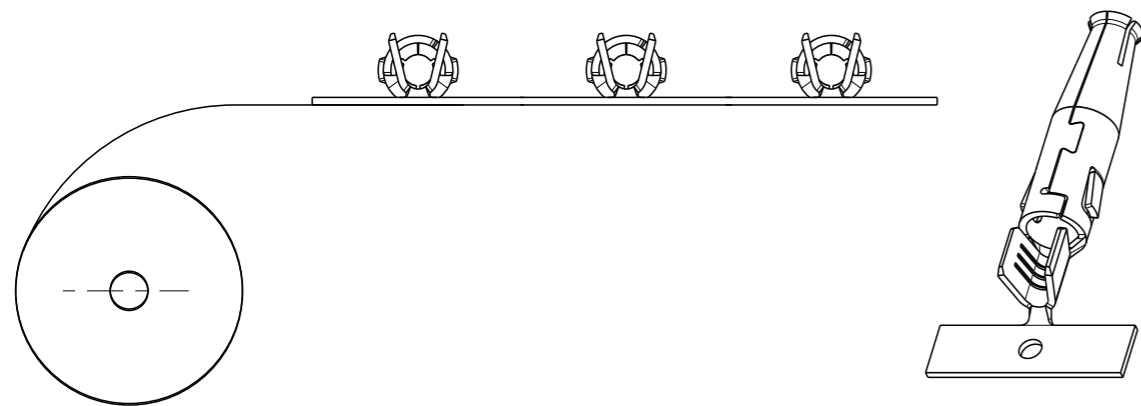
P/N 2359527-2



P/N 2359527-3



CONTACTS SUPPLIED ON REEL
PITCH BETWEEN TWO CONTACTS: 15.0



PRODUCT UNDER TESTING

CONTACT PRODUCT ENGINEERING
BEFORE USING THIS PRINT

CRIMP SOCKET CONTACT	18 AWG	2359527-3
	4.0 (12 AWG)	2359527-2
	1.5-2.5 (16-14 AWG)	2359527-1
DESCRIPTION	WIRE SIZE mm ² (AWG)	PART NUMBER

THIS DRAWING IS A CONTROLLED DOCUMENT.		DWN 20AUG2020 SUBHASH.M		
DIMENSIONS: mm		CHK 03SEP2020 M. ZUCCA		
TOLERANCES UNLESS OTHERWISE SPECIFIED:		APVD 26NOV2020 PETER OTT	NAME NECTOR T, CRIMP SOCKET CONTACT	
0 PLC ±0.2		PRODUCT SPEC	108-133123	
1 PLC ±0.1		APPLICATION SPEC	114-133123	
2 PLC ±0.05		WEIGHT	-	
3 PLC ±		CUSTOMER DRAWING	SCALE 4:1	
4 PLC ±		FINISH	SHEET 1 OF 1	
ANGLES ±1°		SEE NOTES	REV A2	
MATERIAL SEE NOTES		SIZE A3	CAGE CODE 00779	DRAWING NO C-2359527
FINISH SEE NOTES		RESTRICTED TO -		