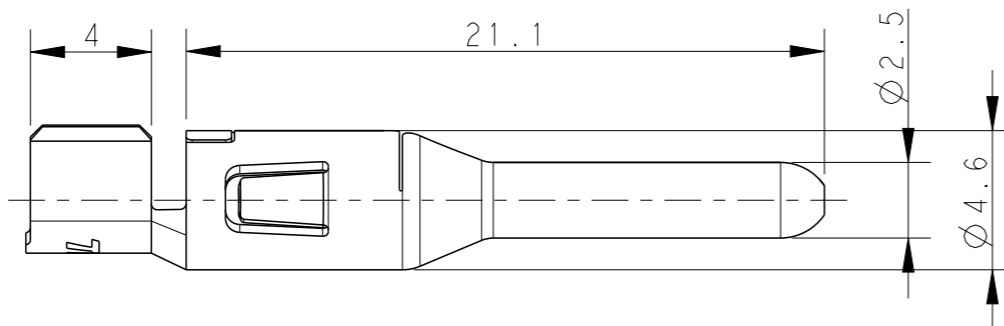
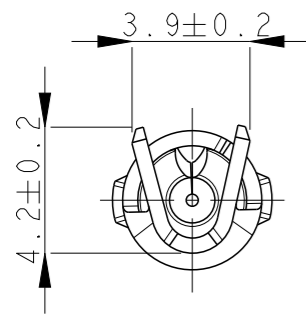
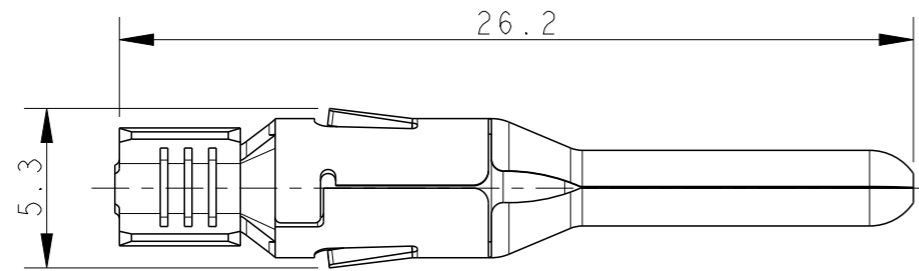


P	LTR	DESCRIPTION	DATE	DWN	APVD
1		INITIAL ISSUE	20AUG2020	SM	MZ
A		RELEASED TO PRODUCTION	26NOV2020	SM	MZ
A1		2359528-3 P/N ADDED FOR 18AWG	02JUN2021	SM	MZ
A2		18AWG RELEASED FOR PRODUCTION	28JAN2022	DM	SM

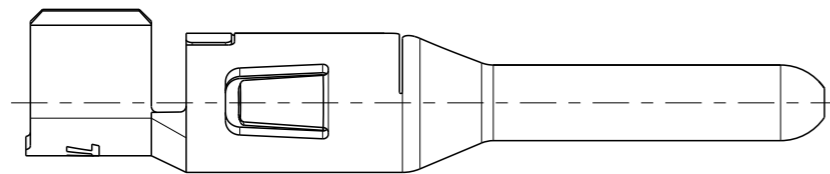
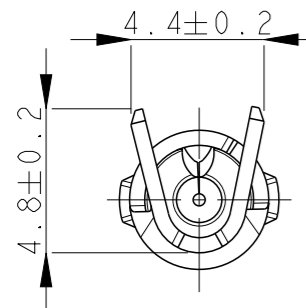
P/N 2359528-1



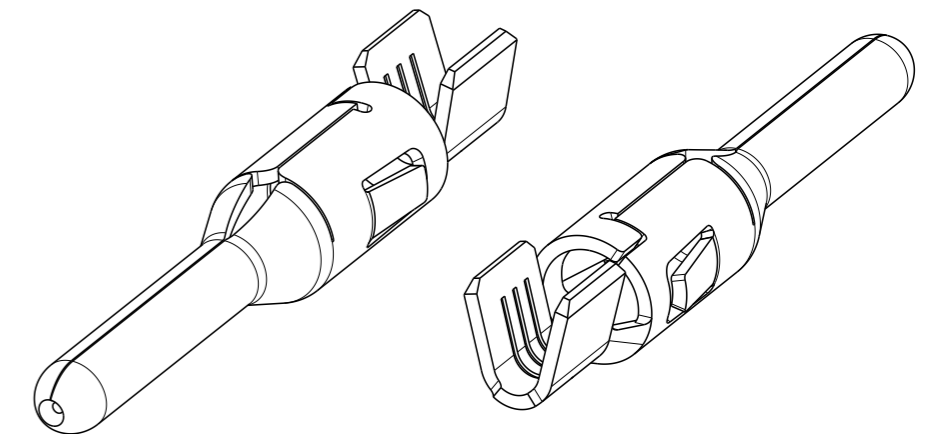
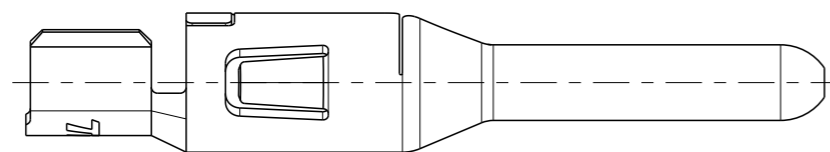
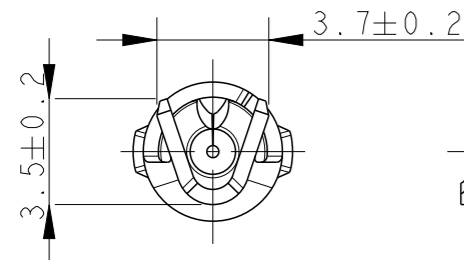
NOTES:

- MATERIAL: COPPER ALLOY, TEMPER >520 MPa  
FINISH : BRIGHT TIN
- OPERATING RATINGS:  
VOLTAGE (max): 600Vac Max  
CURRENT (max): 25A ON 4.0mm<sup>2</sup> & 20A ON 12AWG  
TEMPERATURE : -40°C TO 85°C
- FOR ASSEMBLY & CRIMP INSTRUCTIONS, REFER APPLICATION SPECIFICATION 114-133123
- PACKAGING: CONTACTS ON REEL

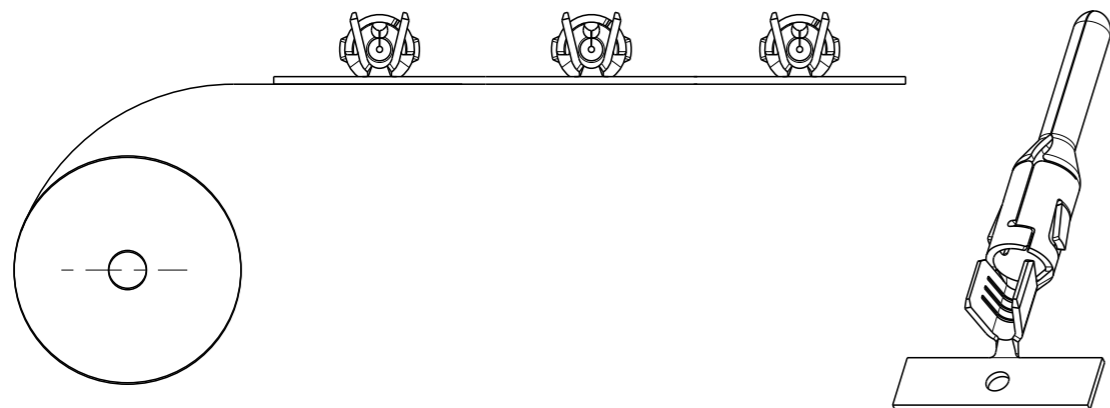
P/N 2359528-2



P/N 2359528-3



CONTACTS SUPPLIED ON REEL  
PITCH BETWEEN TWO CONTACTS: 15.0



**PRODUCT UNDER TESTING**

CONTACT PRODUCT ENGINEERING  
BEFORE USING THIS PRINT

CRIMP PIN CONTACT	18 AWG	2359528-3
	4.0 (12 AWG)	2359528-2
	1.5-2.5 (16-14 AWG)	2359528-1
DESCRIPTION	WIRE SIZE mm <sup>2</sup> (AWG)	PART NUMBER

THIS DRAWING IS A CONTROLLED DOCUMENT.		DWN 20AUG2020 SUBHASH.M			
DIMENSIONS: mm		CHK 03SEP2020 M. ZUCCA			
TOLERANCES UNLESS OTHERWISE SPECIFIED:		APVD 26NOV2020 PETER OTT	NAME NECTOR T, CRIMP PIN CONTACT		
0 PLC ±0.2		PRODUCT SPEC 108-133123	SIZE A3	CAGE CODE 00779	DRAWING NO C-2359528
1 PLC ±0.1		APPLICATION SPEC 114-133123	RESTRICTED TO		
2 PLC ±0.05		WEIGHT -	SCALE 4:1 SHEET 1 OF 1 REV A2		
3 PLC ±		CUSTOMER DRAWING			
4 PLC ±					
ANGLES ±1°					
FINISH SEE NOTES					