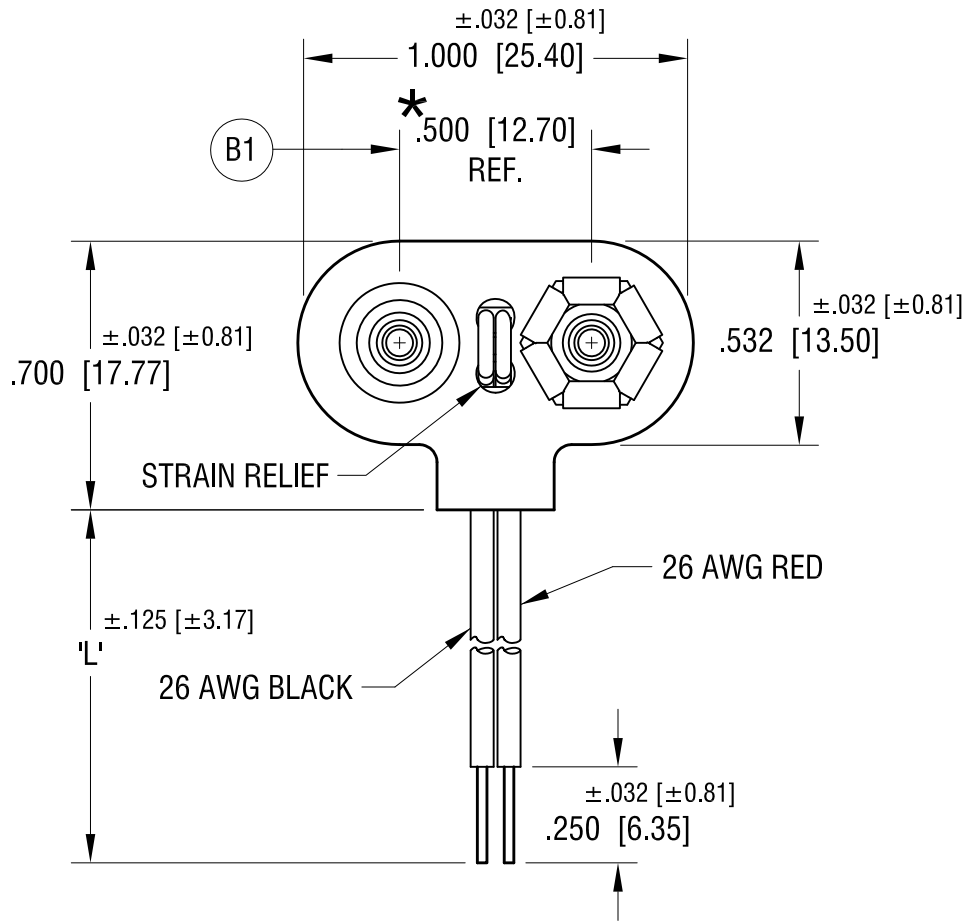
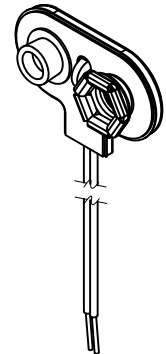


THIS DOCUMENT IS THE PROPERTY OF KEYSTONE ELECTRONICS CORP. AND SHALL NOT BE REPRODUCED, DISTRIBUTED OR USED AS A BASIS FOR MANUFACTURE WITHOUT PRIOR WRITTEN PERMISSION FROM KEYSTONE ELECTRONICS CORP.



ACTUAL SIZE



NOTE:

1. WIRE: 26 AWG, 1007 UL/CSA APPROVED
2. CONTACTS: BRASS, NICKEL PLATE
3. INSULATION: MAT'L- VINYL .012 [0.30] MINIMUM THICKNESS
4. PLATE/INSUTATOR: MAT'L- FIBER .032 [0.81] THICK
5. RED WIRE CONNECTED TO FEMALE CONTACT;  
BLACK WIRE CONNECTED TO MALE CONTACT.
6. \* REF. DIMENSION MUST FIT  
INDUSTRY STANDARD 9 VOLT BATTERY.

PART NO.	'L' DIM.
235	4.000 [101.60]
236	6.000 [152.40]
237	8.000 [203.20]

DATE	DESCRIPTION	REV.
8.23.21	(B1) WAS .500±.005, ADD NOT 6. CHANGE AS PER ECN 21-097	B
2.09.21	INSULATION WAS PVC CHANGE AS PER ECN 21-018	A

**KEYSTONE ELECTRONICS CORP.**  
www.keyelco.com • NEW HYDE PARK, NY 11040 • Tel (516) 328-7500

PART NAME  
**ECONOMY '9' VOLT BATTERY STRAP**

MATERIAL  
**AS NOTED**

FINISH <b>AS NOTED</b>	DRN BY <b>BOONE</b>	DATE <b>8.08.95</b>
	APP'D <b>LN</b>	SCALE <b>2X</b>

TOLERANCES INCH [MM]  
DECIMAL ±.015 [±0.38]  
ANGULAR ± 1°  
UNLESS OTHERWISE SPECIFIED

CODE  
**C**

DWG NO.  
**235-237**