

4

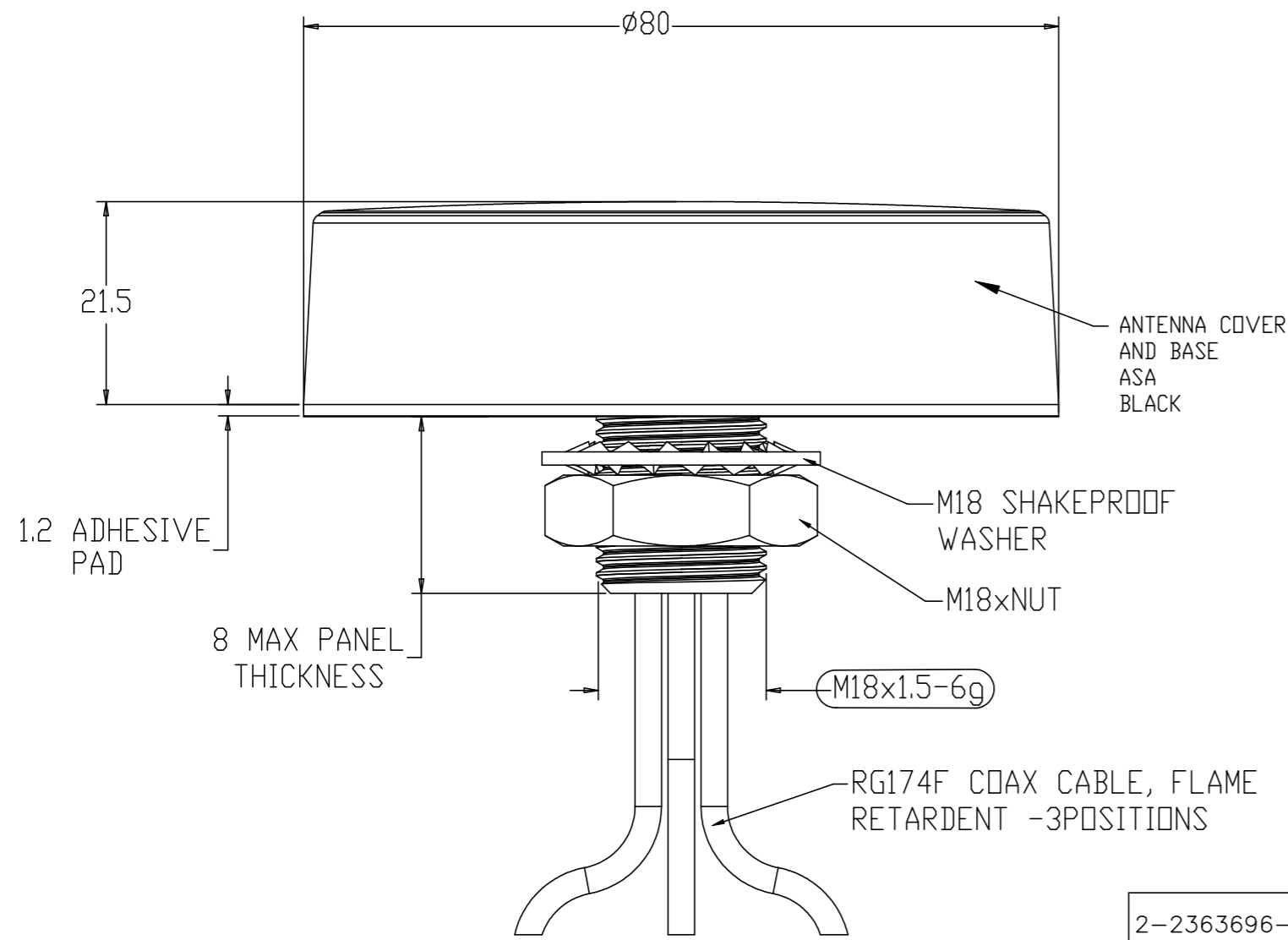
3

2

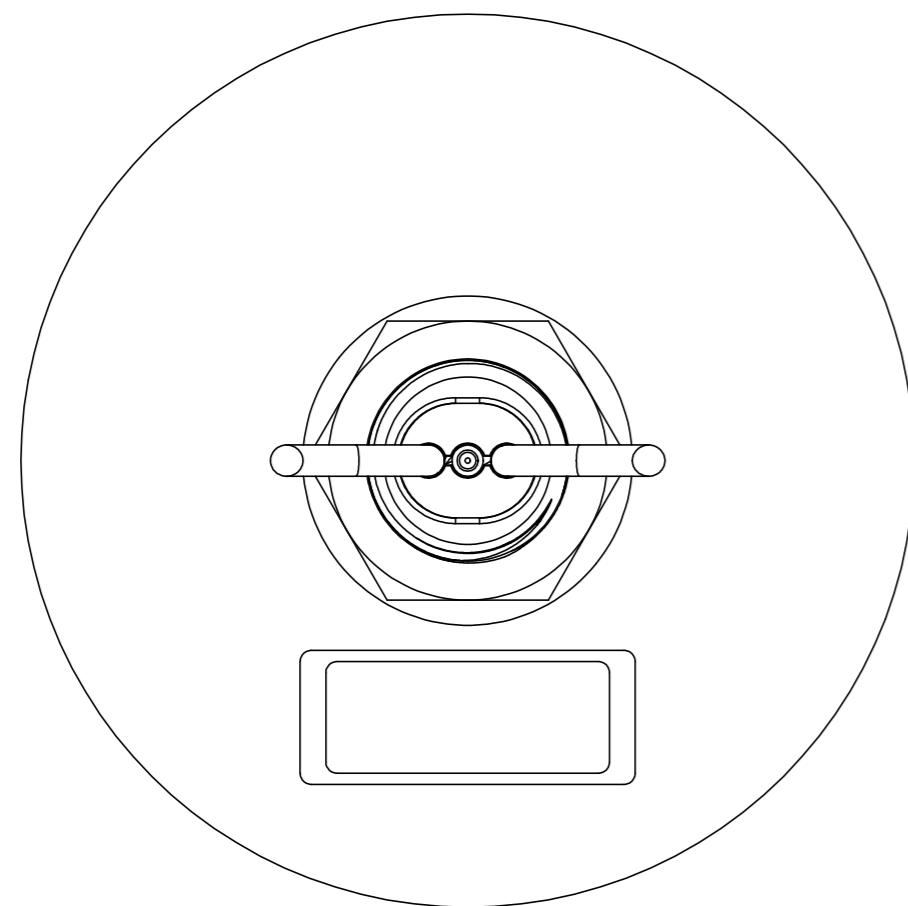
1

THIS DRAWING IS UNPUBLISHED. RELEASED FOR PUBLICATION. ALL RIGHTS RESERVED. © COPYRIGHT - TE Connectivity Ltd.

REVISIONS					
P	LTR	DESCRIPTION	DATE	DWN	APVD
	A	INITIAL RELEASE	19DEC2019	GK	ES



- NOTES:
1. REFER DATASHEET: 2363696
  2. FREQUENCY RANGE: SEE TABLE
  3. PATTERN: OMNI-DIRECTIONAL
  4. POLARIZATION: VERTICAL
  5. MAX. INPUT POWER: 20 Watts
  6. OPERATING TEMPERATURE: -40 TO +85°C (-40 TO 185°F)
  7. MATERIAL: ASA, BLACK



2-2363696-4	MULTIFUNCT PUCK ANTCELL SMA 1m	CELLULAR:698-960/1710-3800MHZ	CELLULAR : RG 174	2G/3G/4G/5G	1m (3'3")	CELLULAR : SMA PLUG
2-2363696-3	MULTIFUNCT PUCK ANTCELL FAKRA 1m				3m (10')	CELLULAR : FAKRA D JACK
2-2363696-2	MULTIFUNCT PUCK ANT CELL FAKRA 3m					
2-2363696-1	MULTIFUNCT PUCK ANT CELL SMA 3m	CELLULAR:698-960/1710-3800MHZ Wi-Fi:2400-2485/4900-6000MHZ	CELLULAR : RG 174 Wi-Fi : RG 174	2G/3G/4G/5G/WiFi	1m (3'3")	CELLULAR : SMA PLUG Wi-Fi : SMA REV POL
1-2363696-4	MULTIFUNCT PUCK ANT CELL/WiFi SMA 1m				3m (10')	CELLULAR : FAKRA D JACK Wi-Fi : FAKRA I JACK
1-2363696-3	MULTIFUNCT PUCK ANT CELL/WiFi FAKRA 1m					
1-2363696-2	MULTIFUNCT PUCK ANT CELL/WiFi FAKRA 3m	CELLULAR:698-960/1710-3800MHZ Wi-Fi:2400-2485/4900-6000MHZ GNSS:1562-1612MHZ	CELLULAR : RG 174 Wi-Fi : RG 174 GNSS : RG 174	2G/3G/4G/5G /WiFi/GPS	1m (3'3")	CELLULAR : SMA PLUG Wi-Fi : SMA REV POL GNSS : SMA PLUG
1-2363696-1	MULTIFUNCT PUCK ANT CELL/WiFi SMA 3m				3m (10')	CELLULAR : FAKRA D JACK Wi-Fi : FAKRA I JACK GNSS : FAKRA C JACK
2363696-4	MULTIFUNCT PUCK ANT CELL/WiFi/GPS SMA 1m					
2363696-3	MULTIFUNCT PUCK ANT CELL/WiFi/GPS FAK 1m	CELLULAR:698-960/1710-3800MHZ Wi-Fi:2400-2485/4900-6000MHZ GNSS:1562-1612MHZ	CELLULAR : RG 174 Wi-Fi : RG 174 GNSS : RG 174	2G/3G/4G/5G /WiFi/GPS	1m (3'3")	CELLULAR : SMA PLUG Wi-Fi : SMA REV POL GNSS : SMA PLUG
2363696-2	MULTIFUNCT PUCK ANT CELL/WiFi/GPS FAK 3m				3m (10')	CELLULAR : FAKRA D JACK Wi-Fi : FAKRA I JACK GNSS : FAKRA C JACK
2363696-1	MULTIFUNCT PUCK ANT CELL/WiFi/GPS SMA 3m					
TE P/N	DESCRIPTION	FREQUENCY RANGE	CABLE TYPE (MEETS UN ECE 118)	OPERATIONAL BANDS	LENGTH	TERMINATION

THIS DRAWING IS A CONTROLLED DOCUMENT.

DIMENSIONS: mm

TOLERANCES UNLESS OTHERWISE SPECIFIED:

0 PLC	± 0.5
1 PLC	± 0.2
2 PLC	± 0.1
3 PLC	± -
4 PLC	± -
ANGLES	± 1°

MATERIAL: - FINISH: -

DWN: 22OCT2019 Gopalakrishna H.V.  
CHK: 22OCT2019 Gopalakrishna H.V.  
APVD: 22OCT2019 E Stellingma

NAME: Gopalakrishna H.V.

PRODUCT SPEC: -  
APPLICATION SPEC: -

WEIGHT: -

CUSTOMER DRAWING

SCALE: 1:1 SHEET: 1 of 1 REV: A

RESTRICTED TO: -