

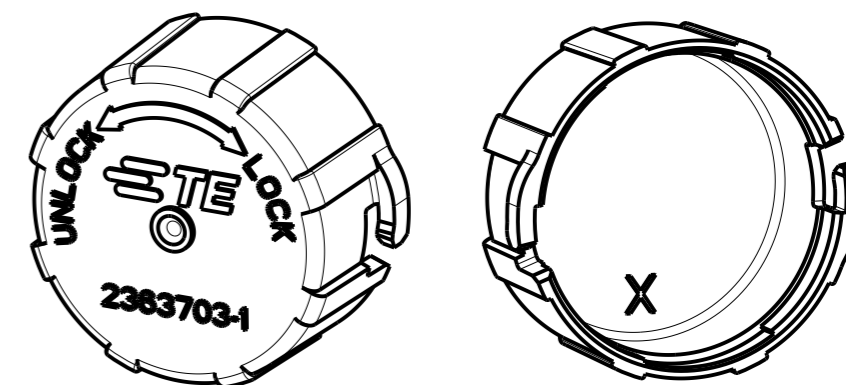
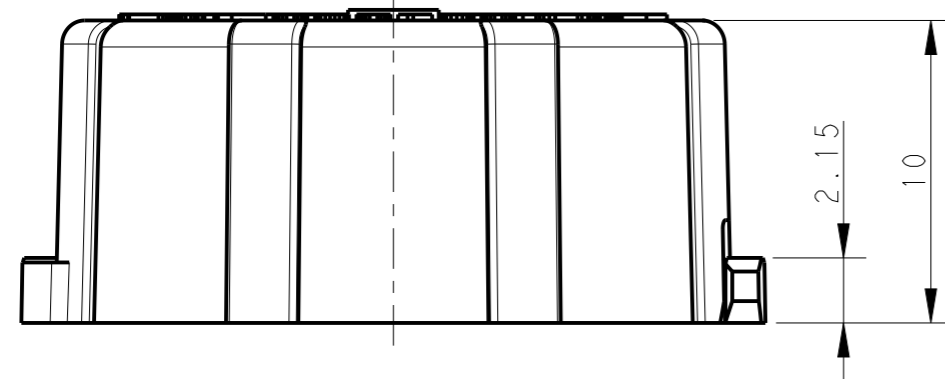
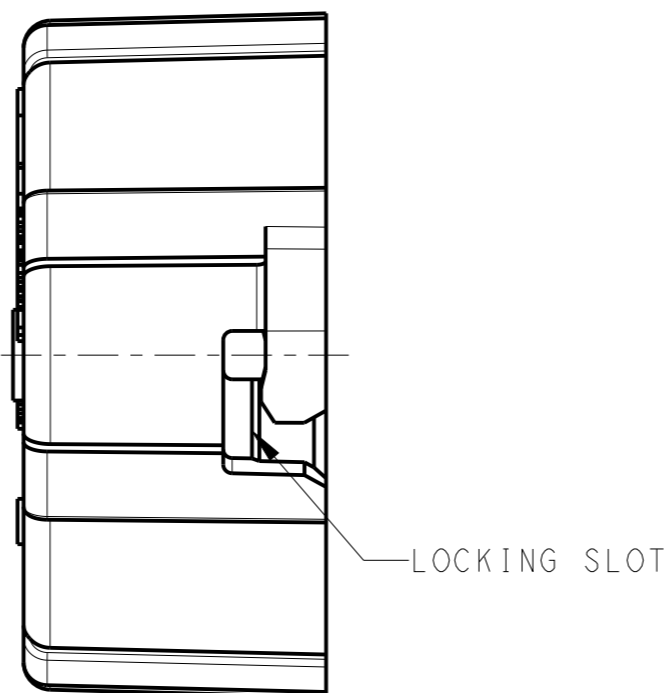
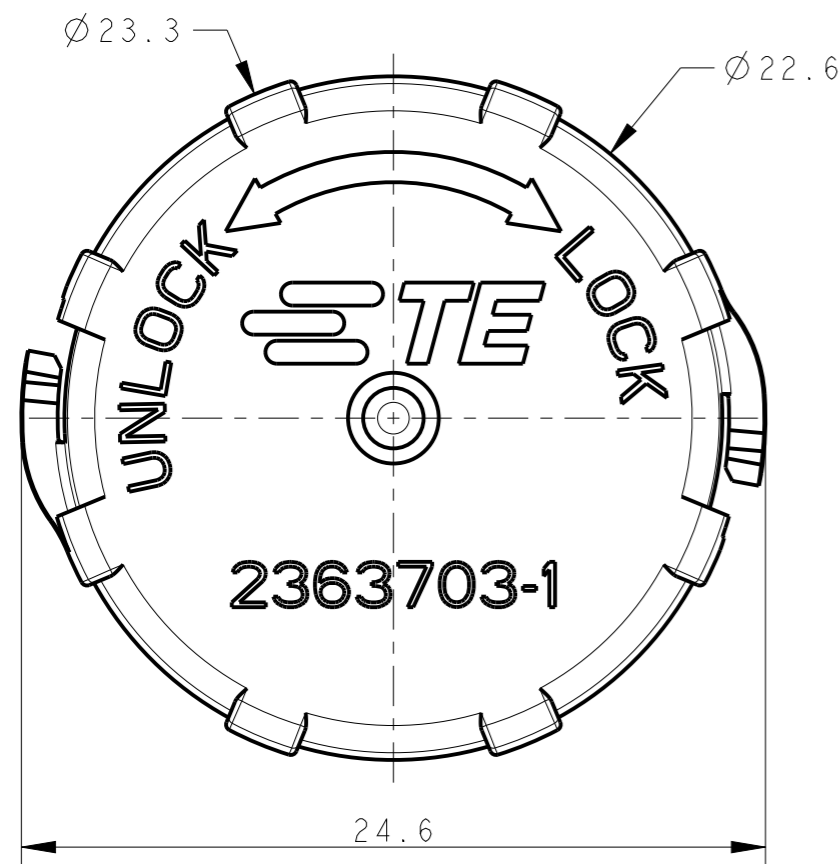
P	LTR	DESCRIPTION	DATE	DWN	APVD
	A	INITIAL RELEASE	26NOV2020	SM	MZ

NOTES:

- MATERIALS:
PLASTIC: PBT+PC ALLOY, UL-V0 (BLACK COLOR)
- IP RATING: IP68
- FOR ASSEMBLY INSTRUCTIONS, REFER APPLICATION SPECIFICATION 114-133123
- PACKAGING: IN PE BAG

PRODUCT UNDER TESTING

CONTACT PRODUCT ENGINEERING BEFORE USING THIS PRINT



PN: 2363703-1 AS SHOWN
SCALE 2:1

THIS DRAWING IS A CONTROLLED DOCUMENT.

DIMENSIONS:		TOLERANCES UNLESS OTHERWISE SPECIFIED:	
mm		0 PLC	±0.2
		1 PLC	±0.2
		2 PLC	±0.1
		3 PLC	±
		4 PLC	±
MATERIAL		FINISH	±1°
-		-	-

DWN	SUBHASH.M	26NOV2020
CHK	M. ZUCCA	26NOV2020
APVD	PETER OTT	26NOV2020
PRODUCT SPEC	108-133123	
APPLICATION SPEC	114-133123	
WEIGHT	-	
CUSTOMER DRAWING		



NAME
NECTOR T, 3Pos, PIN CONNECTOR DUST CAP

SIZE	CAGE CODE	DRAWING NO	RESTRICTED TO
A3	00779	C-2363703	-

SCALE 4:1 SHEET 1 OF 1 REV A