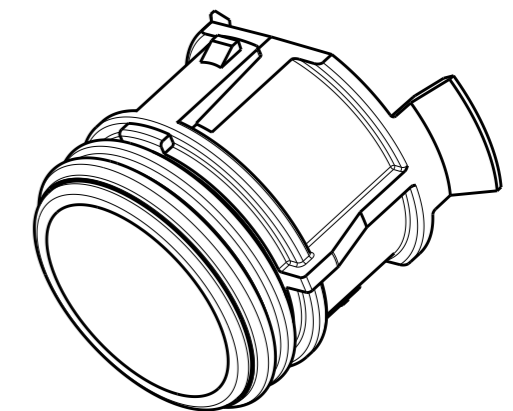


P	LTR	DESCRIPTION	DATE	DWN	APVD
	A	INITIAL RELEASE	26NOV2020	SM	MZ

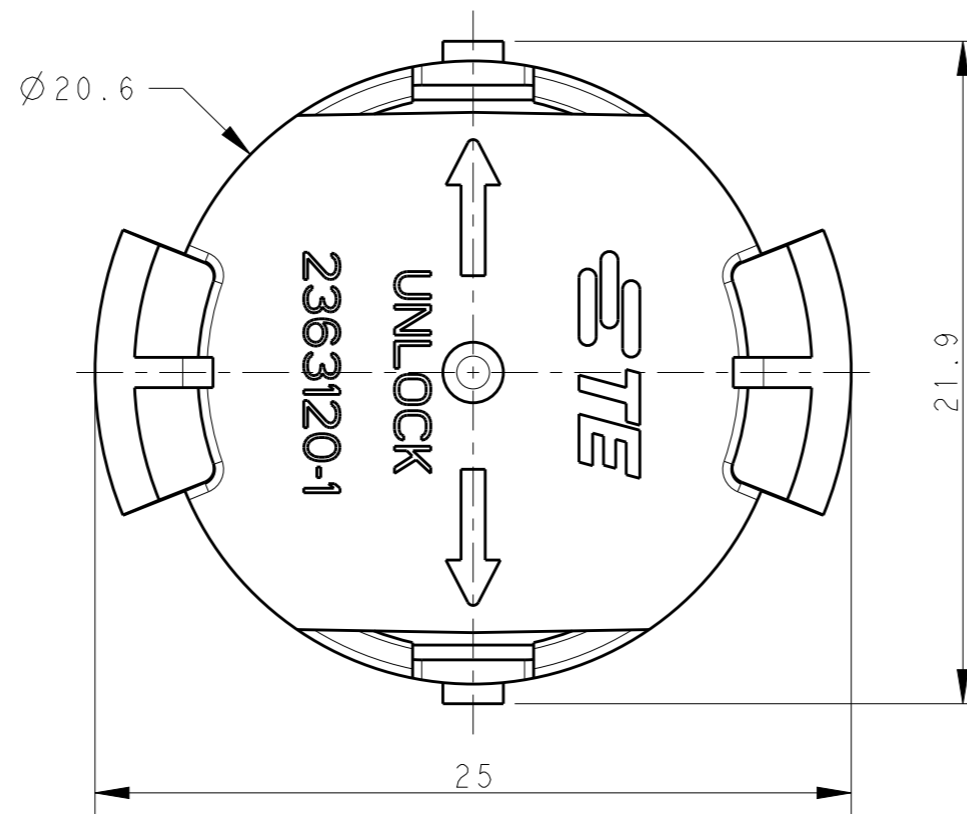
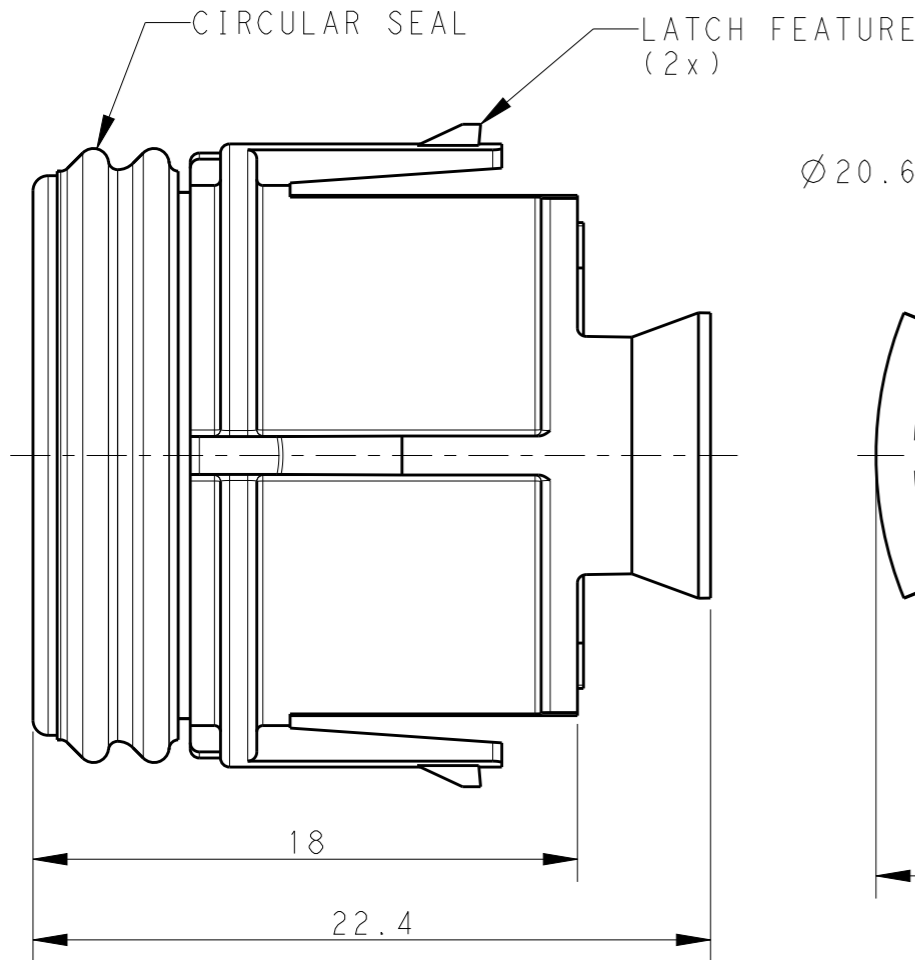
NOTES:

- MATERIALS:
 PLASTIC: PBT+PC ALLOY, UL-V0 (BLACK COLOR)
 SEAL : NBR (ORANGE COLOR)
- IP RATING: IP68
- FOR ASSEMBLY INSTRUCTIONS, REFER APPLICATION SPECIFICATION 114-133123
- PACKAGING: IN PE BAG

PRODUCT UNDER TESTING
 CONTACT PRODUCT ENGINEERING
 BEFORE USING THIS PRINT



PN 2366866-1 AS SHOWN
 SCALE 2:1



THIS DRAWING IS A CONTROLLED DOCUMENT.

DIMENSIONS: mm		TOLERANCES UNLESS OTHERWISE SPECIFIED:	
		0 PLC	±0.2
		1 PLC	±0.2
		2 PLC	±0.1
		3 PLC	±-
		4 PLC	±-
MATERIAL		FINISH	
-		-	

DWN	26NOV2020
SUBHASH.M	
CHK	26NOV2020
M. ZUCCA	
APVD	26NOV2020
PETER OTT	
PRODUCT SPEC	108-133123
APPLICATION SPEC	114-133123
WEIGHT	-
CUSTOMER DRAWING	

TE Connectivity		NAME	
		NECTOR T, 3Pos, SOCKET CONN. DUST CAP	
SIZE	CAGE CODE	DRAWING NO	RESTRICTED TO
A3	00779	C-2366866	-
SCALE		SHEET	REV
4:1		1 OF 1	A