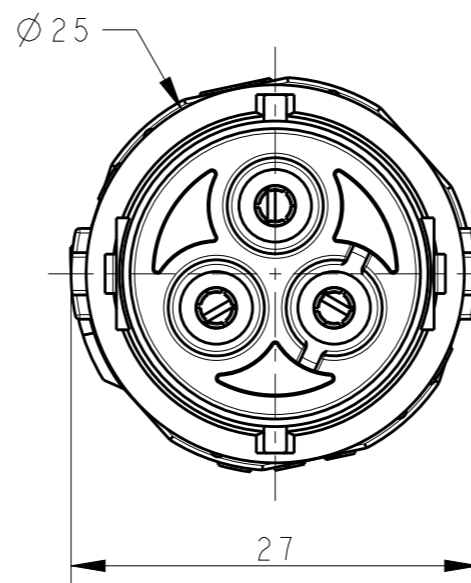
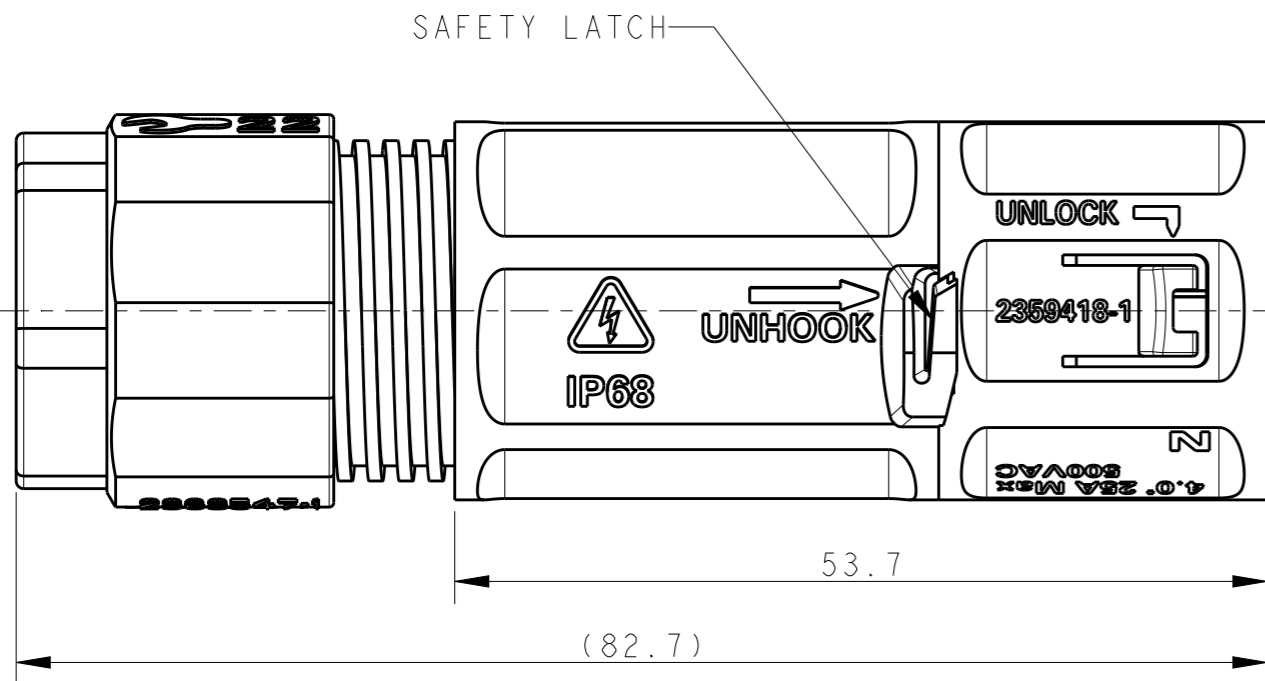


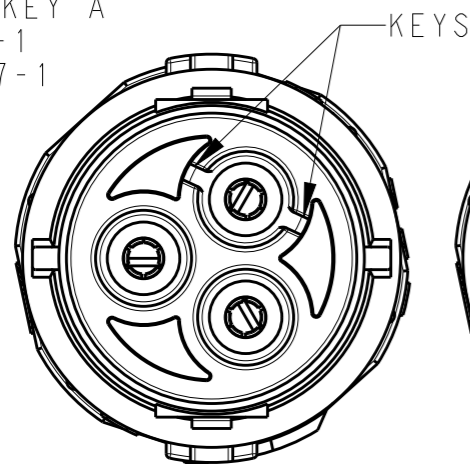
P	LTR	DESCRIPTION	DATE	DWN	APVD
1		INITIAL ISSUE	28AUG2020	SM	MZ
2		INFORMATION ADDED TO SHEET 2	03SEP2020	SM	MZ
3		DRAWING FORMAT UPDATES	24NOV2020	SM	-
A		PRODUCT UNDER TESTING	24NOV2020	SM	MZ



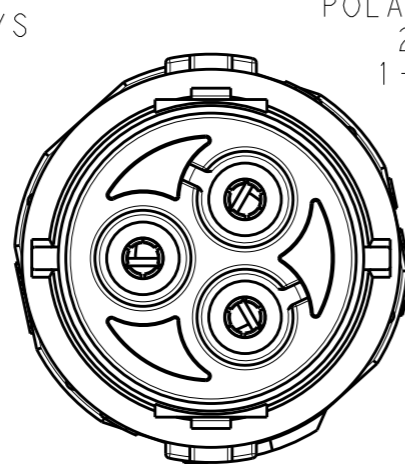
NOTES:

- MATERIALS:  
PLASTICS: PBT+PC ALLOY, UL-V0, UV-F1  
CONTACTS: COPPER ALLOY, TIN PLATED
- OPERATING RATINGS :  
VOLTAGE (max): 600Vac Max  
CURRENT (max): 25A ON 4.0mm<sup>2</sup> & 20A ON 12AWG  
TEMPERATURE : -40°C TO 85°C  
IP RATING : IP67 & IP68
- FOR ASSEMBLY INSTRUCTIONS, REFER APPLICATION SPECIFICATION 114-133123
- PACKAGING: MOQ 200 pcs IN PE BAG

POLARIZING KEY A  
2379237-1  
1-2379237-1

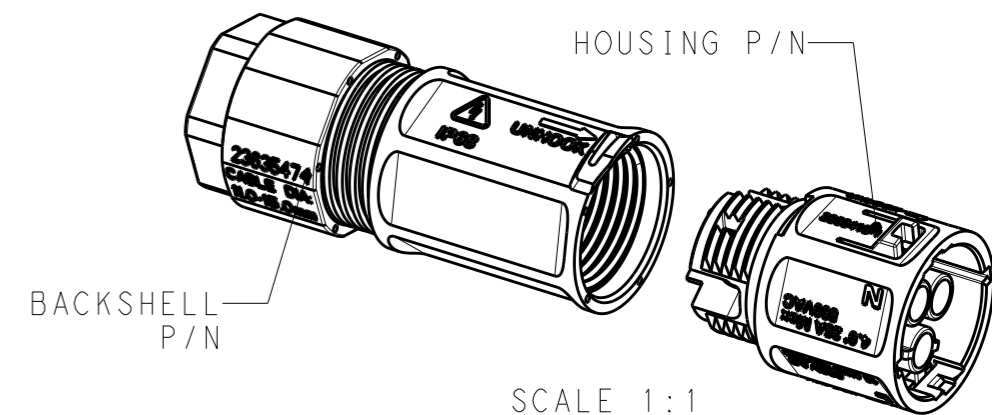


POLARIZING KEY B  
2379237-2  
1-2379237-2

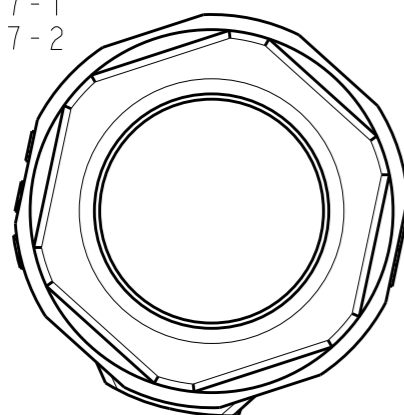


**PRODUCT UNDER TESTING**

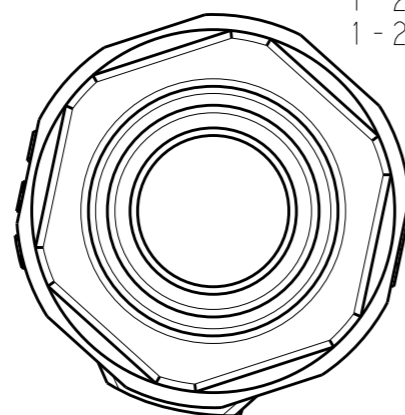
CONTACT PRODUCT ENGINEERING BEFORE USING THIS PRINT



BACKSHELL FOR  
2379237-1  
2379237-2



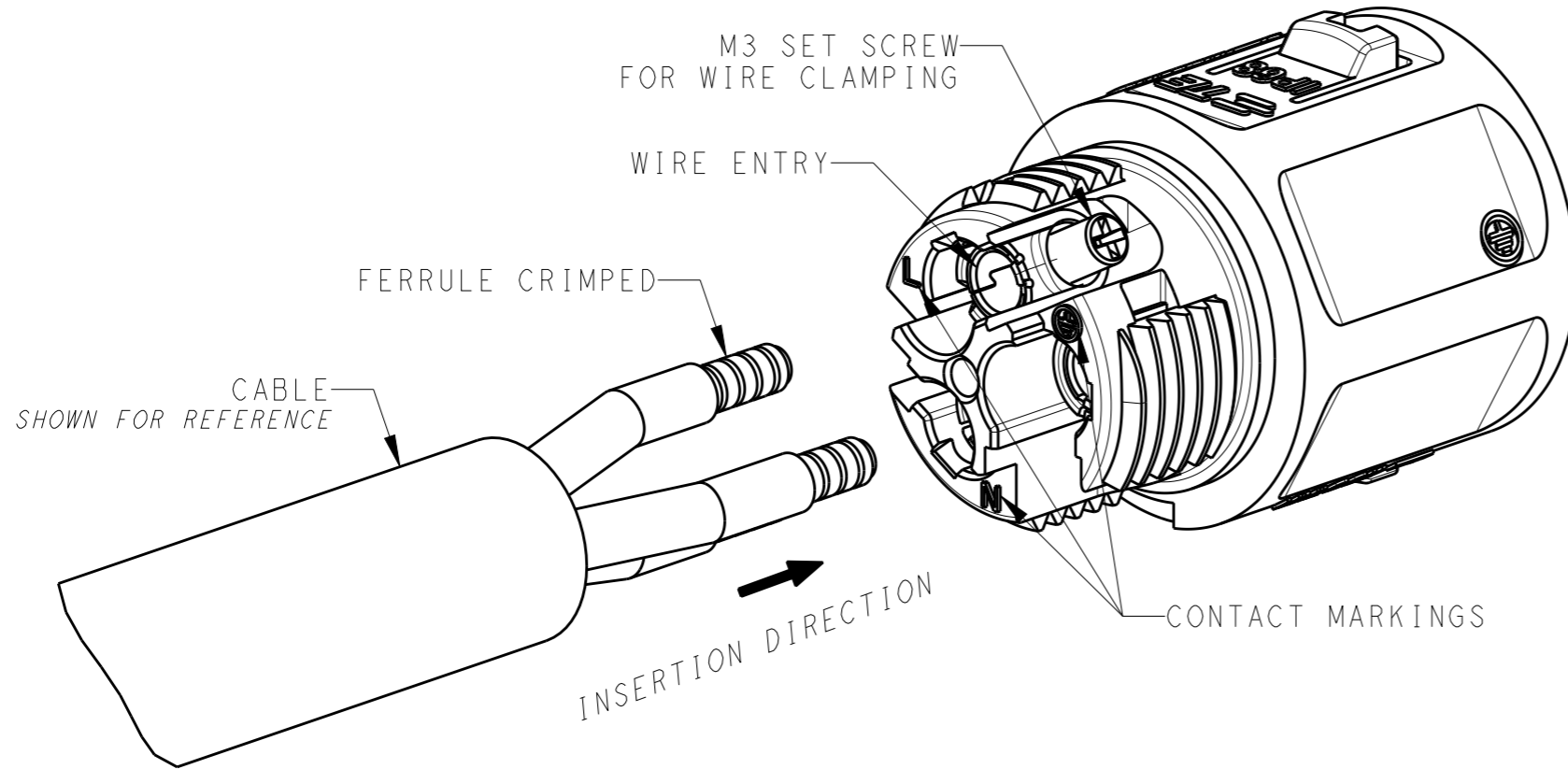
BACKSHELL FOR  
1-2379237-1  
1-2379237-2



BACKSHELL P/N	HOUSING ASSY P/N	POLARIZING KEY	CABLE RANGE	DESCRIPTION	PART NUMBER
2363547-2	2359418-2	KEY B	Ø7 - Ø10	IN-LINE SOCKET CONNECTOR	1-2379237-2
	2359418-1	KEY A			1-2379237-1
2363547-1	2359418-2	KEY B	Ø10.5 - Ø15		2379237-2
	2359418-1	KEY A			2379237-1

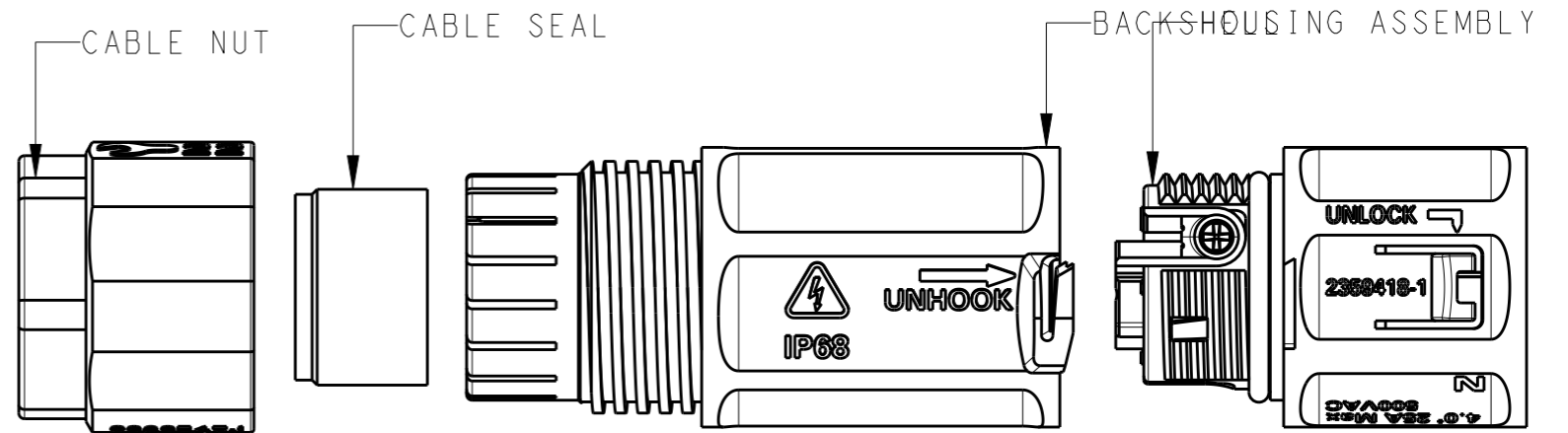
THIS DRAWING IS A CONTROLLED DOCUMENT.		DWN SUBHASH. M 28AUG2020	TE Connectivity	
DIMENSIONS: mm		CHK M. ZUCCA 28AUG2020		
TOLERANCES UNLESS OTHERWISE SPECIFIED:		APVD PETER OTT 24NOV2020	NAME NECTOR T, 3Pos, SOCKET CONNECTOR SCREW TYPE	
0 PLC ±0.2 1 PLC ±0.2 2 PLC ±0.1 3 PLC ± 4 PLC ± ANGLES ±°		PRODUCT SPEC 108-133123	RESTRICTED TO	
MATERIAL		APPLICATION SPEC 114-133123	SIZE A3	CAGE CODE 00779
FINISH		WEIGHT	DRAWING NO C-2379237	REV A
		CUSTOMER DRAWING	SCALE 2:1	SHEET 1 OF 2

SCREW TERMINATION  
 REFER 114-133123 FOR DETAILED INSTRUCTION  
 NOT TO SCALE



REVISIONS					
P	LTR	DESCRIPTION	DATE	DWN	APVD
-		SEE SHEET 1	-	-	-

EXPLODED COMPONENTS  
 NOT TO SCALE



THIS DRAWING IS A CONTROLLED DOCUMENT.		DWN SUBHASH. M 28AUG2020	TE Connectivity		
DIMENSIONS: mm		CHK M. ZUCCA 28AUG2020			
TOLERANCES UNLESS OTHERWISE SPECIFIED:		APVD PETER OTT 24NOV2020	NAME NECTOR T, 3Pos, SOCKET CONNECTOR SCREW TYPE		
0 PLC ±0.2 1 PLC ±0.2 2 PLC ±0.1 3 PLC ± 4 PLC ± ANGLES ±1°		PRODUCT SPEC 108-133123	SIZE A3		
MATERIAL -		APPLICATION SPEC 114-133123	CAGE CODE 00779	DRAWING NO C-2379237	RESTRICTED TO -
FINISH -		WEIGHT -	SCALE 2:1		
-		CUSTOMER DRAWING	SHEET 2 OF 2		REV A