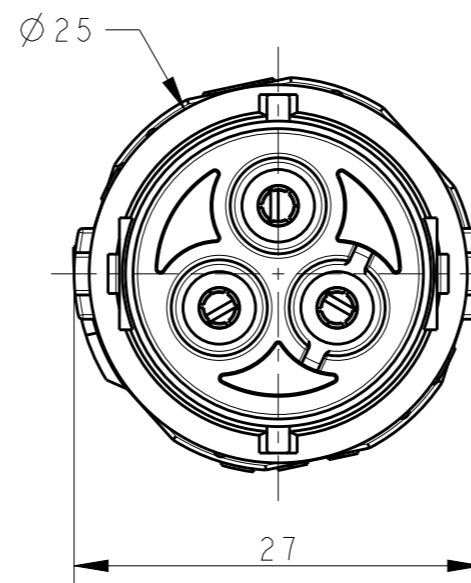
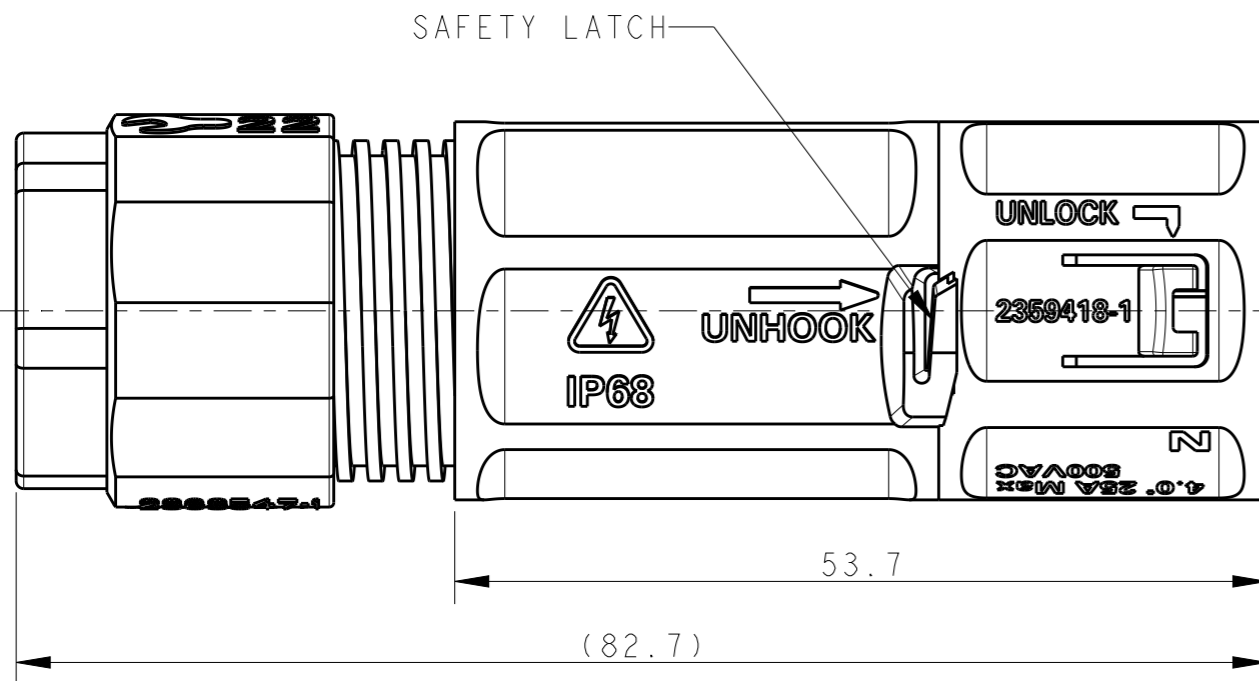


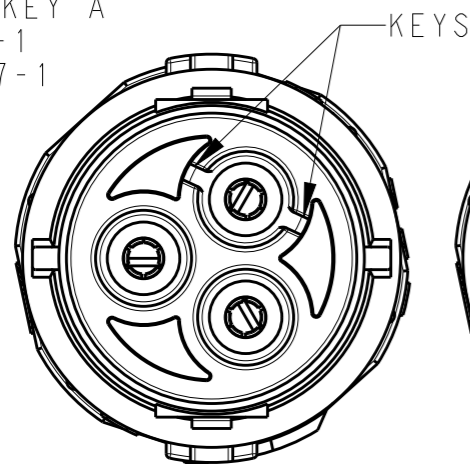
| P | LTR | DESCRIPTION                  | DATE      | DWN | APVD |
|---|-----|------------------------------|-----------|-----|------|
| 1 |     | INITIAL ISSUE                | 28AUG2020 | SM  | MZ   |
| 2 |     | INFORMATION ADDED TO SHEET 2 | 03SEP2020 | SM  | MZ   |
| 3 |     | DRAWING FORMAT UPDATES       | 24NOV2020 | SM  | -    |
| A |     | PRODUCT UNDER TESTING        | 24NOV2020 | SM  | MZ   |



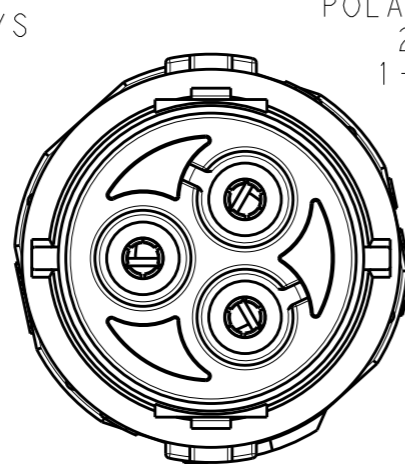
NOTES:

- MATERIALS:  
PLASTICS: PBT+PC ALLOY, UL-V0, UV-F1  
CONTACTS: COPPER ALLOY, TIN PLATED
- OPERATING RATINGS :  
VOLTAGE (max): 600Vac Max  
CURRENT (max): 25A ON 4.0mm<sup>2</sup> & 20A ON 12AWG  
TEMPERATURE : -40°C TO 85°C  
IP RATING : IP67 & IP68
- FOR ASSEMBLY INSTRUCTIONS, REFER APPLICATION SPECIFICATION 114-133123
- PACKAGING: MOQ 200 pcs IN PE BAG

POLARIZING KEY A  
2379237-1  
1-2379237-1

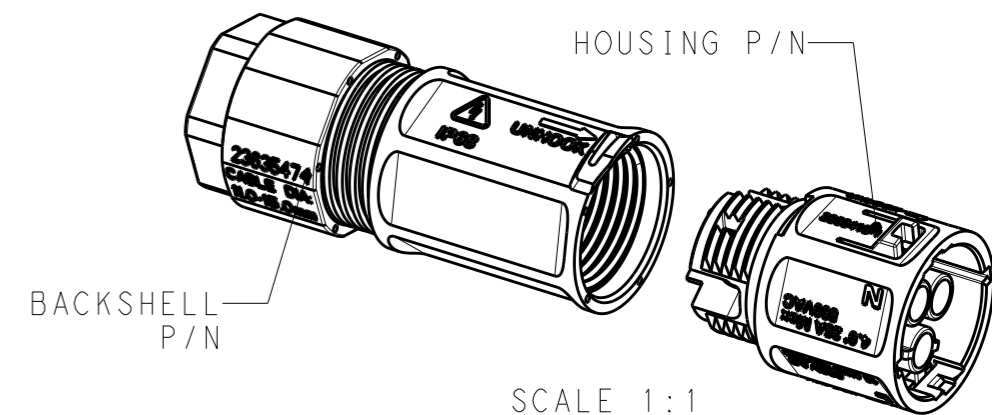


POLARIZING KEY B  
2379237-2  
1-2379237-2

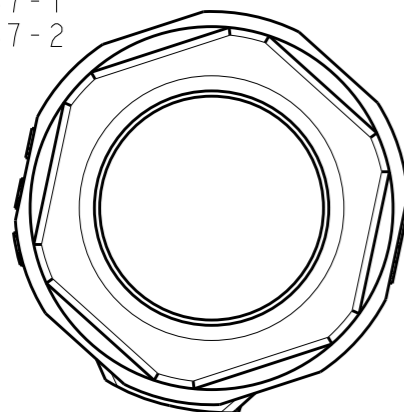


**PRODUCT UNDER TESTING**

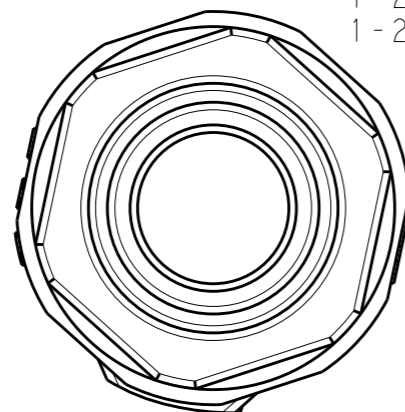
CONTACT PRODUCT ENGINEERING BEFORE USING THIS PRINT



BACKSHELL FOR  
2379237-1  
2379237-2



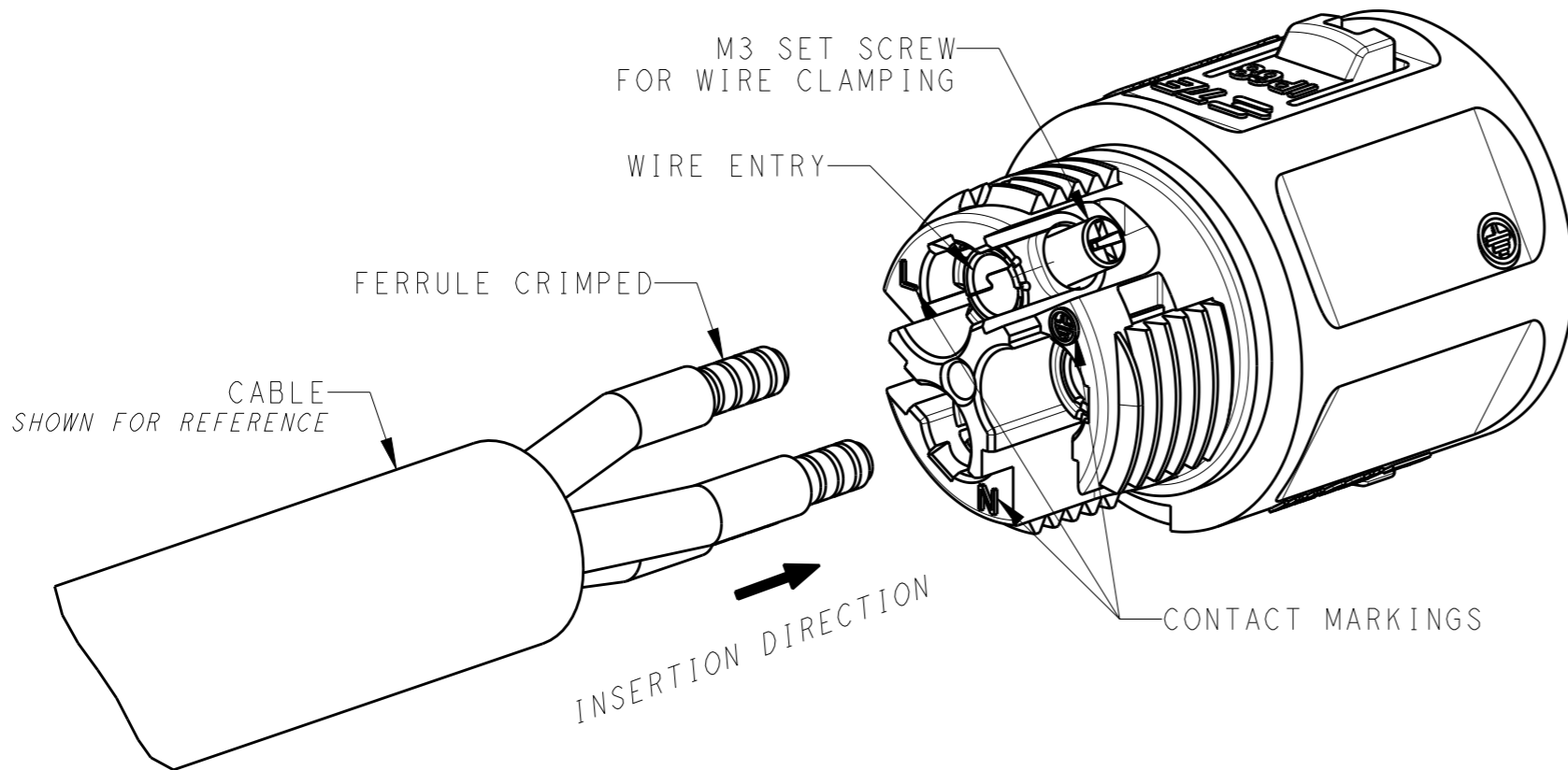
BACKSHELL FOR  
1-2379237-1  
1-2379237-2



| BACKSHELL P/N | HOUSING ASSY P/N | POLARIZING KEY | CABLE RANGE | DESCRIPTION              | PART NUMBER |
|---------------|------------------|----------------|-------------|--------------------------|-------------|
| 2363547-2     | 2359418-2        | KEY B          | Ø7 - Ø10    | IN-LINE SOCKET CONNECTOR | 1-2379237-2 |
|               | 2359418-1        | KEY A          |             |                          | 1-2379237-1 |
| 2363547-1     | 2359418-2        | KEY B          | Ø10.5 - Ø15 |                          | 2379237-2   |
|               | 2359418-1        | KEY A          |             |                          | 2379237-1   |

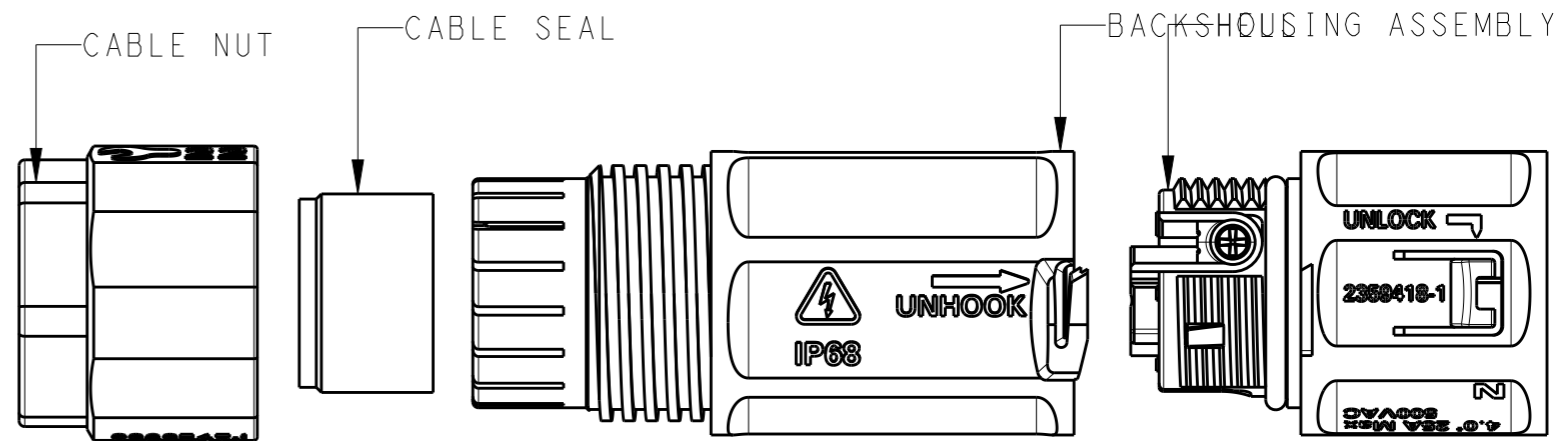
|   |  |                                |  |                    |
|---|--|--------------------------------|--|--------------------|
| THIS DRAWING IS A CONTROLLED DOCUMENT.                                    |  | DWN<br>SUBHASH. M<br>28AUG2020 | TE Connectivity  |                    |
| DIMENSIONS:<br>mm   |  | CHK<br>M. ZUCCA<br>28AUG2020   |  |                    |
| TOLERANCES UNLESS OTHERWISE SPECIFIED:                                    |  | APVD<br>PETER OTT<br>24NOV2020 | NAME<br>NECTOR T, 3Pos, SOCKET CONNECTOR<br>SCREW TYPE |                    |
| 0 PLC ±0.2<br>1 PLC ±0.2<br>2 PLC ±0.1<br>3 PLC ±<br>4 PLC ±<br>ANGLES ±° |  | PRODUCT SPEC<br>108-133123     | RESTRICTED TO  |                    |
| MATERIAL  |  | APPLICATION SPEC<br>114-133123 | SIZE<br>A3   | CAGE CODE<br>00779 |
| FINISH  |  | WEIGHT                         | DRAWING NO<br>C-2379237                                | REV<br>A           |
|   |  | CUSTOMER DRAWING               | SCALE<br>2:1   | SHEET<br>1 OF 2    |


SCREW TERMINATION  
REFER 114-133123 FOR DETAILED INSTRUCTION  
NOT TO SCALE



| REVISIONS |     |             |      |     |      |
|-----------|-----|-------------|------|-----|------|
| P         | LTR | DESCRIPTION | DATE | DWN | APVD |
| -         |     | SEE SHEET 1 | -    | -   | -    |
|           |     |             |      |     |      |
|           |     |             |      |     |      |

EXPLODED COMPONENTS  
NOT TO SCALE



|  |  |                                |   |                    |                         |
|--|--|--------------------------------|---|--------------------|-------------------------|
| THIS DRAWING IS A CONTROLLED DOCUMENT.                                     |  | DWN<br>SUBHASH. M<br>28AUG2020 |  TE Connectivity |                    |                         |
| DIMENSIONS:<br>mm  |  | CHK<br>M. ZUCCA<br>28AUG2020   |   |                    |                         |
| TOLERANCES UNLESS OTHERWISE SPECIFIED:                                     |  | APVD<br>PETER OTT<br>24NOV2020 | NAME<br>NECTOR T, 3Pos, SOCKET CONNECTOR<br>SCREW TYPE  |                    |                         |
| 0 PLC ±0.2<br>1 PLC ±0.2<br>2 PLC ±0.1<br>3 PLC ±<br>4 PLC ±<br>ANGLES ±1° |  | PRODUCT SPEC<br>108-133123     | RESTRICTED TO   |                    |                         |
| MATERIAL   |  | APPLICATION SPEC<br>114-133123 | SIZE<br>A3  | CAGE CODE<br>00779 | DRAWING NO<br>C-2379237 |
| FINISH   |  | WEIGHT                         | SCALE<br>2:1  |                    | SHEET<br>2 OF 2         |
|  |  | CUSTOMER DRAWING               | REV<br>A  |                    |                         |