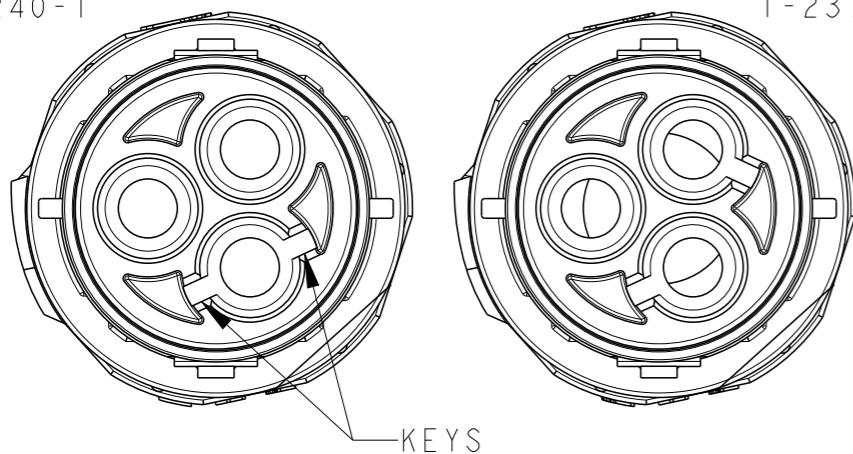


SCALE 1:1

PRODUCT UNDER TESTING
CONTACT PRODUCT ENGINEERING
BEFORE USING THIS PRINT

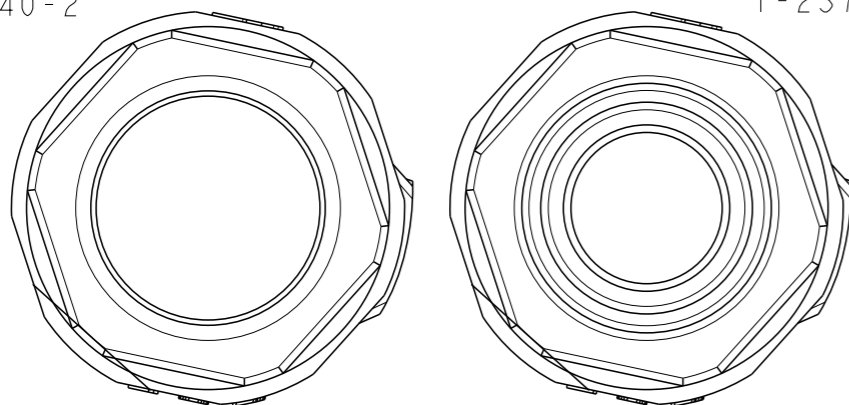
POLARIZING KEY A
2379240-1
1-2379240-1

POLARIZING KEY B
2379240-2
1-2379240-2



BACKSHELL FOR
2379240-1
2379240-2

BACKSHELL FOR
1-2379240-1
1-2379240-2



REVISIONS					
P	LTR	DESCRIPTION	DATE	DWN	APVD
	2	INFORMATION ADDED TO SHEET 2	01OCT2020	SM	MZ
	3	DRAFTING UPDATES	29OCT2020	SM	MZ
	A	PRODUCT UNDER TESTING	24NOV2020	SM	MZ
	AI	18AWG WIRE SIZE ADDED	27JAN2022	DM	SM

NOTES:

⚠ CONTACTS SUPPLIED SEPARATELY ON REELS, MUST PURCHASED ACCORDING TO WIRE SIZES. BELOW ARE THE CONTACT PART NUMBERS:

CONTACT P/N	WIRE SIZE
2359528-1	1.5mm ² TO 2.5mm ² 16AWG TO 14AWG
2359528-2	4.0mm ² 12AWG
2359528-3	18AWG

- MATERIALS:
PLASTICS: PBT+PC ALLOY, UL-V0, UV-FI
CONTACTS: COPPER ALLOY, TIN PLATED
SCREWS : STAINLESS STEEL
- OPERATING RATINGS :
VOLTAGE (max): 600Vac Max
CURRENT (max): 25A ON 4.0mm² & 20A ON 12AWG
TEMPERATURE : -40°C TO 85°C
IP RATING : IP67 & IP68
- FOR ASSEMBLY INSTRUCTIONS, REFER APPLICATION SPECIFICATION 114-133123
- PACKAGING: MOQ 200 pcs IN PE BAG

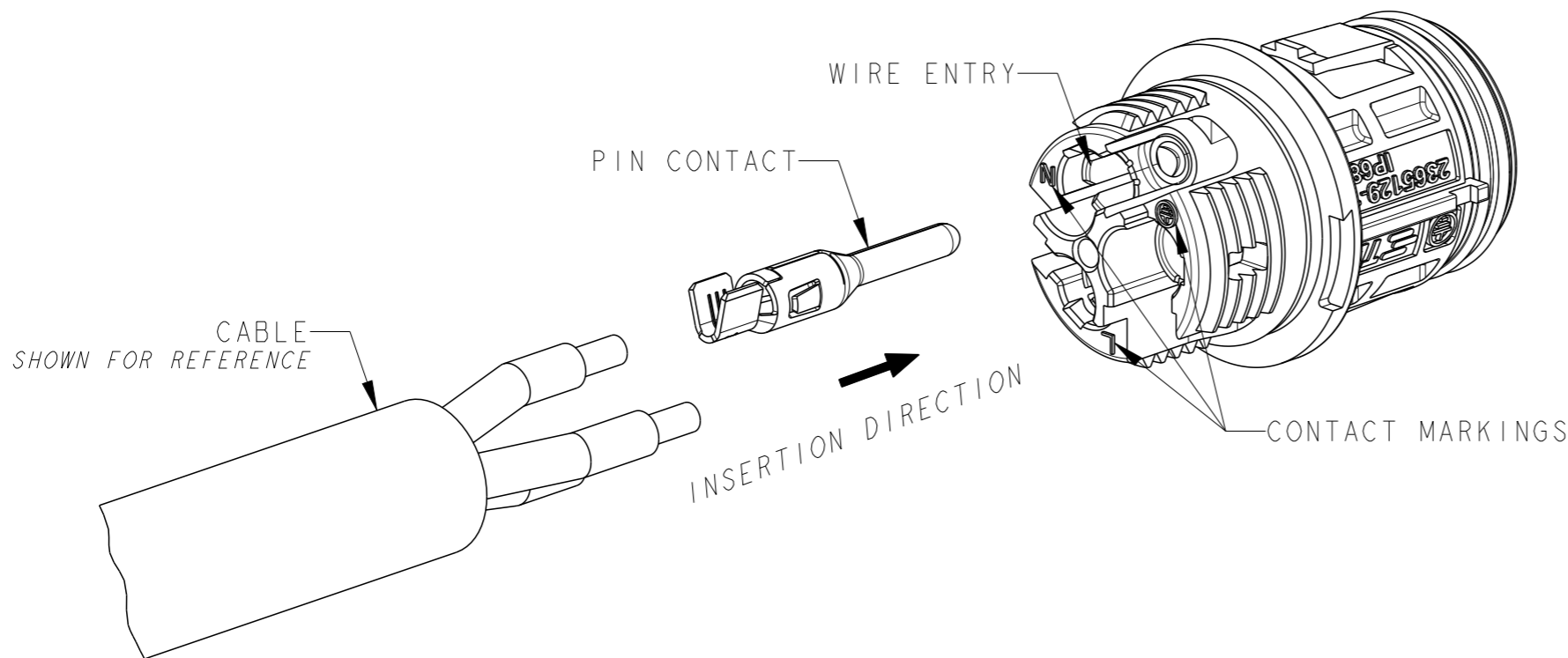
2363547-2	2365129-2	KEY B	Ø7 - Ø10	IN-LINE PIN CONNECTOR	1-2379240-2
	2365129-1	KEY A			1-2379240-1
2363547-1	2365129-2	KEY B	Ø10.5 - Ø15		2379240-2
	2365129-1	KEY A			2379240-1
BACKSHELL P/N	HOUSING ASSY P/N	POLARIZING KEY	CABLE RANGE	DESCRIPTION	PART NUMBER

THIS DRAWING IS A CONTROLLED DOCUMENT.		DWN SUBHASH. M 28AUG2020	TE Connectivity		
DIMENSIONS: mm		CHK M. ZUCCA 28AUG2020			
TOLERANCES UNLESS OTHERWISE SPECIFIED:		APVD PETER OTT 24NOV2020	NAME NECTOR T, 3Pos, PIN CONNECTOR CRIMP TYPE		
0 PLC ±0.2 1 PLC ±0.2 2 PLC ±0.1 3 PLC ± 4 PLC ± ANGLES ±°		PRODUCT SPEC 108-133123	SIZE A3		
MATERIAL		APPLICATION SPEC 114-133123	CAGE CODE 00779	DRAWING NO C-2379240	RESTRICTED TO
FINISH		WEIGHT	SCALE 2:1 SHEET 1 OF 2 REV AI		
		CUSTOMER DRAWING			

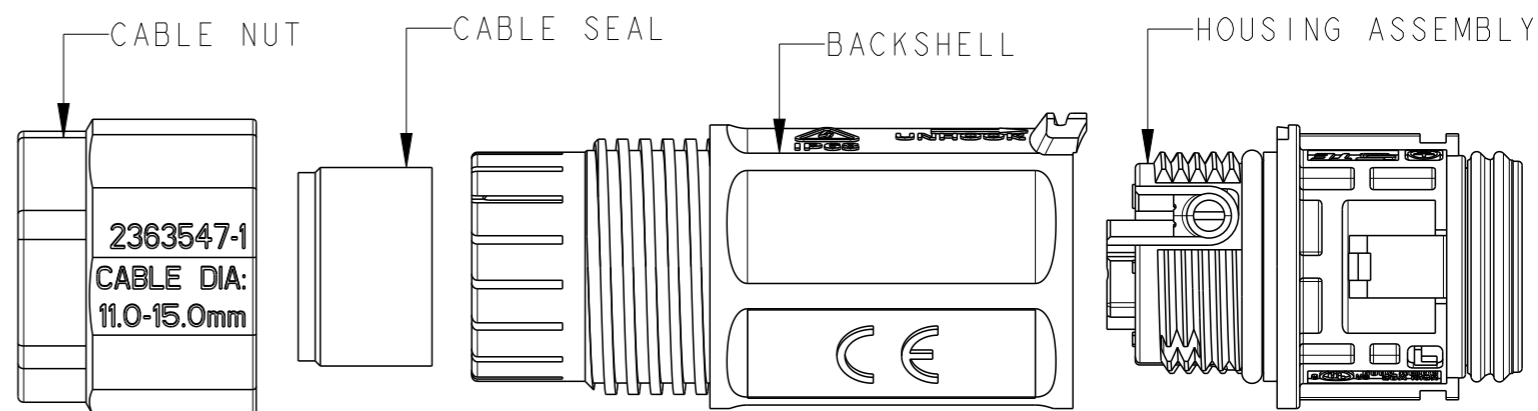
REVISIONS

P	LTR	DESCRIPTION	DATE	DWN	APVD
-	-	SEE SHEET 1	-	-	-

CRIMP TERMINATION
 REFER 114-133123 FOR DETAILED INSTRUCTION
 NOT TO SCALE



EXPLODED COMPONENTS
 NOT TO SCALE



THIS DRAWING IS A CONTROLLED DOCUMENT.		DWN SUBHASH. M 28AUG2020																
DIMENSIONS: mm		CHK M. ZUCCA 28AUG2020																
TOLERANCES UNLESS OTHERWISE SPECIFIED:		APVD PETER.OTT 24NOV2020	NAME NECTOR T, 3Pos, PIN CONNECTOR CRIMP TYPE															
<table border="1"> <tr><td>0 PLC</td><td>±0.2</td></tr> <tr><td>1 PLC</td><td>±0.2</td></tr> <tr><td>2 PLC</td><td>±0.1</td></tr> <tr><td>3 PLC</td><td>±</td></tr> <tr><td>4 PLC</td><td>±</td></tr> <tr><td>ANGLES</td><td>±1°</td></tr> </table>		0 PLC	±0.2	1 PLC	±0.2	2 PLC	±0.1	3 PLC	±	4 PLC	±	ANGLES	±1°	PRODUCT SPEC 108-133123	SIZE A3	CAGE CODE 00779	DRAWING NO C-2379240	RESTRICTED TO -
0 PLC	±0.2																	
1 PLC	±0.2																	
2 PLC	±0.1																	
3 PLC	±																	
4 PLC	±																	
ANGLES	±1°																	
MATERIAL -	FINISH -	APPLICATION SPEC 114-133123	SCALE 2:1		SHEET 2 OF 2	REV A1												
CUSTOMER DRAWING		WEIGHT -																