

## 2.9mm Design Specifications



2.9mm

### General

**Materials:** SST, Corrosion-resistant, Non-magnetic 303, per ASTM A484 & A582. Beryllium Copper per ASTM-B-196, QQ-C-530, Oxide-noryl™, MIL-P-46129

**Finish:** Center contacts and solder components shall be plated per MIL-G-45204 Type II, Class I over Nickel plate per QQ-N-290, Body & Body components shall be passivated per ASTM A380

**Compatibility:** Mechanically compatible with 3.5mm and SMA connectors.

### Electrical Frequency:

**DC-40 GHz**

**Nominal Impedance:**

50 Ohms

**Temperature Rating:**

-55° C to 100° C

### Mechanical

**Connector Durability:**

500 cycles minimum

**Contact Torque:**

4.0 inch-ounces minimum

Coupling nut mating torque: 8-10 inch lbs.

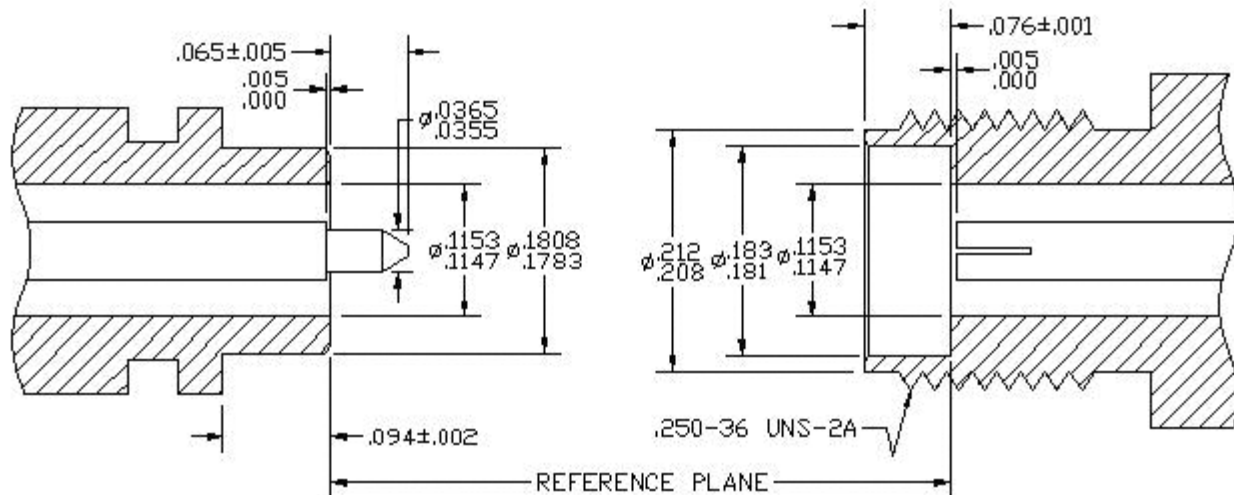
### Environmental

**Corrosion (salt spray):**

MIL-STD-202, method 101, test condition B 5% salt solution

**Vibration High Frequency:**

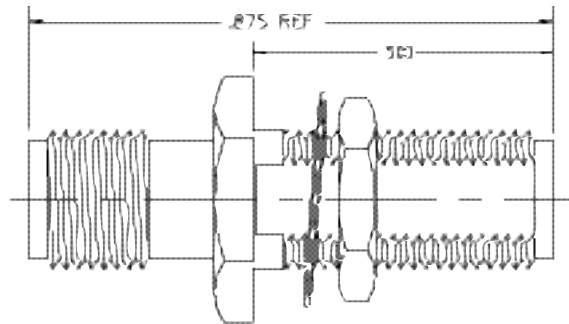
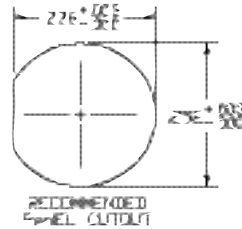
MIL-STD-202, method 204, test condition D (20 G's)



### 25-925-2000-90

2.9mm Jack to 2.9mm Jack  
Bulkhead Mount

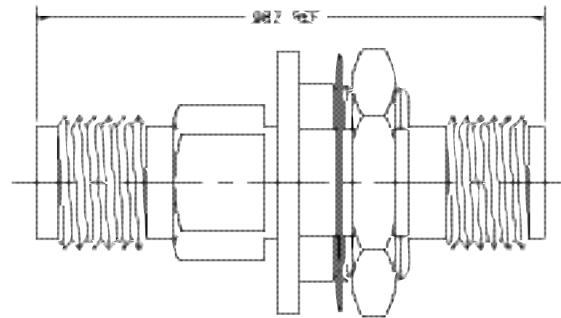
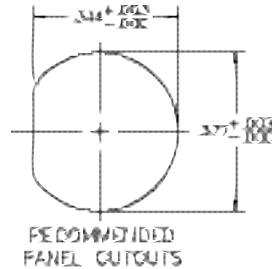
DC-40 GHz



### 25-925-3500-90

2.9mm Jack to 2.9mm Jack  
Bulkhead Mount

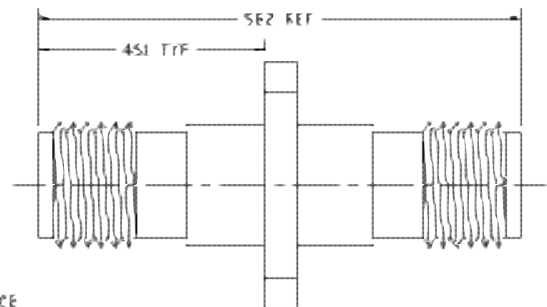
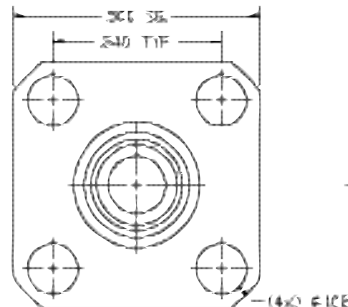
DC-40 GHz



### 25-925-4010-90

2.9mm Jack to 2.9mm Jack  
4 Hole Flange Mount

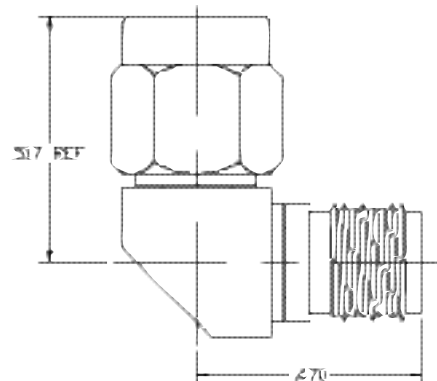
DC-40 GHz



### 24-925-2010-90

2.9mm Plug to 2.9mm Jack R/A

DC-40 GHz

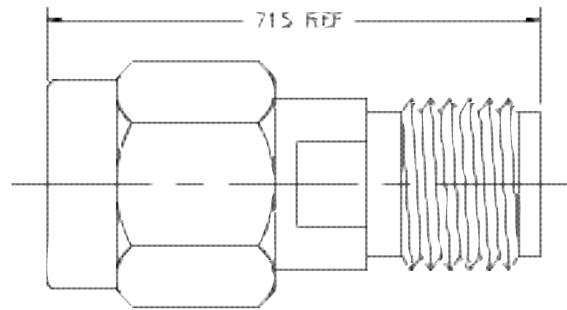


## 2.9mm In-Series Adapters

**24-925-0000-90**

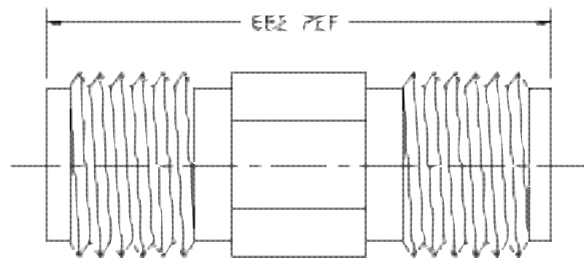
2.9mm Plug to 2.9mm Jack

DC-40 GHz

**25-925-0000-90**

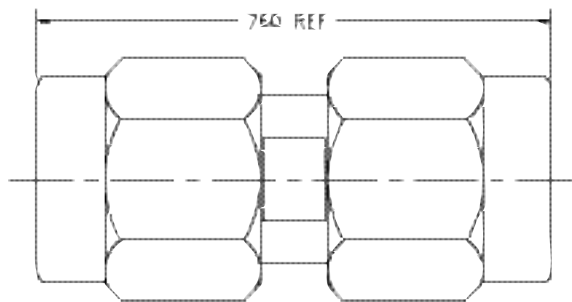
2.9mm Jack to 2.9mm Jack

DC-40 GHz

**24-924-0000-90**

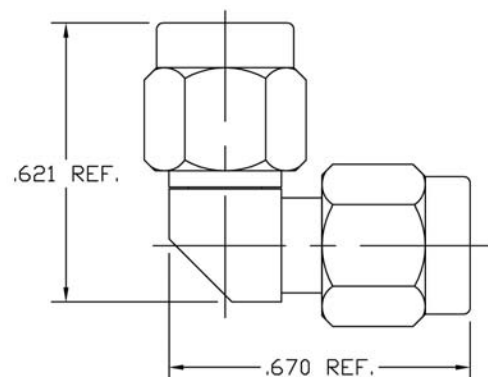
2.9mm Plug to 2.9mm Plug

DC-40 GHz

**24-924-2010-90**

2.9mm Plug to 2.9mm Plug R/A

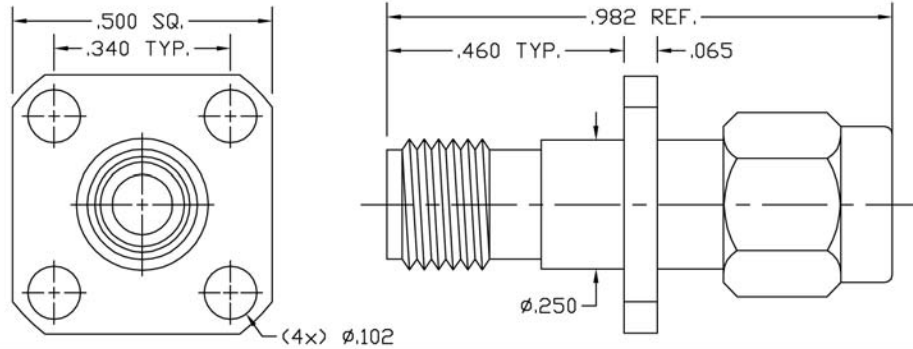
DC-40 GHz



## 24-925-3100-90

2.9mm Plug to 2.9mm Jack  
4 Hole Flange Mount

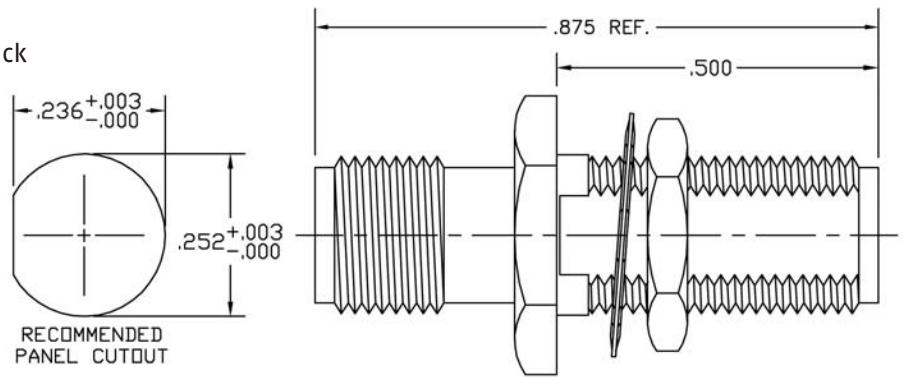
DC-40 GHz



## 25-925-2000-91

2.9mm Jack to 2.9mm Jack  
Bulkhead Mount  
(No O-Ring)

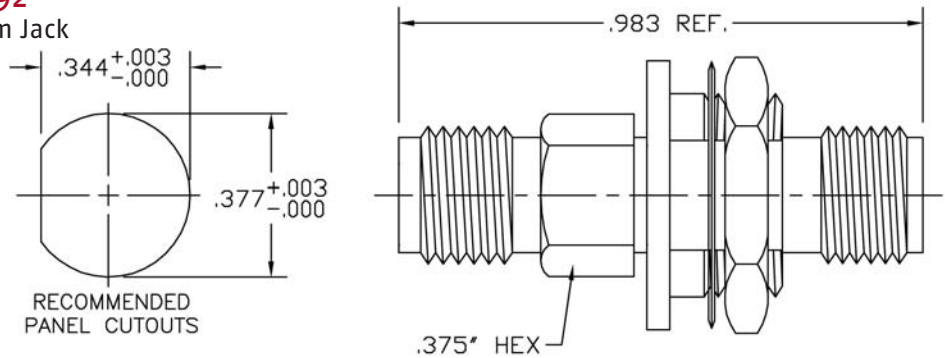
DC-40 GHz



## 25-925-2000-92

2.9mm Jack to 2.9mm Jack  
Bulkhead Mount

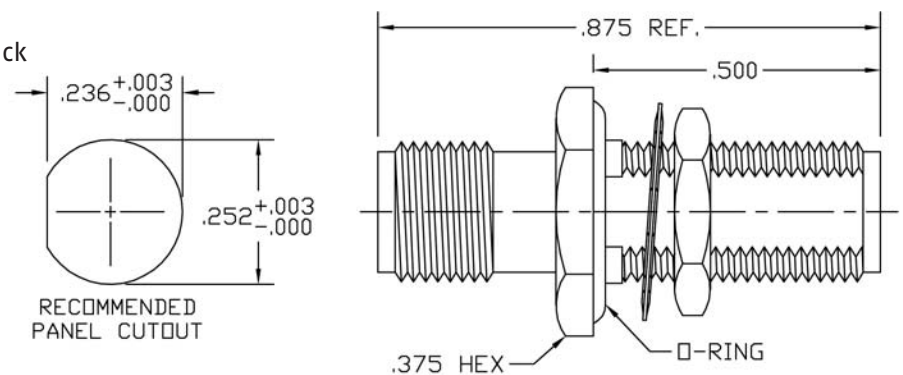
DC-32 GHz



## 25-925-2000-93

2.9mm Jack to 2.9mm Jack  
Bulkhead Mount

DC-40 GHz



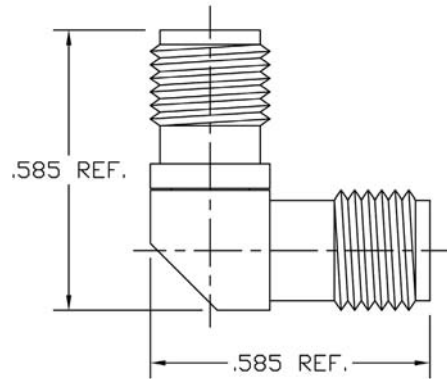
## 2.9mm In-Series Adapters



### 25-925-2010-90

2.9mm Jack to 2.9mm Jack R/A

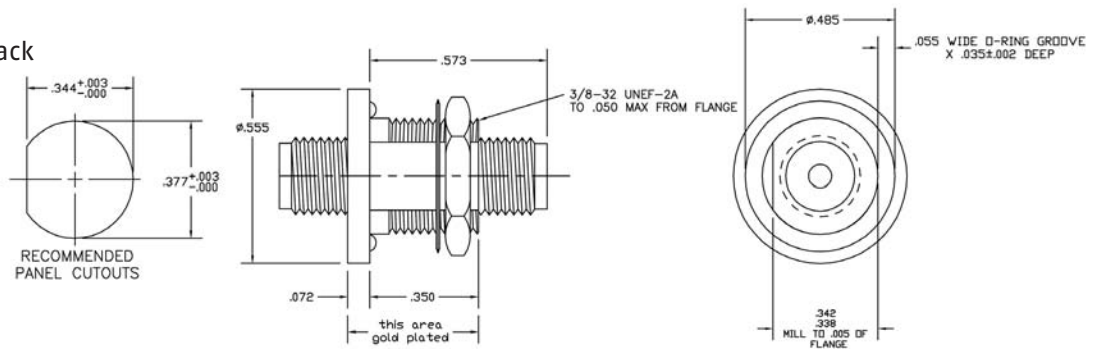
DC-40 GHz



### 25-925-2040-90

2.9mm Jack to 2.9mm Jack  
Hermetic Bulkhead

DC-40 GHz

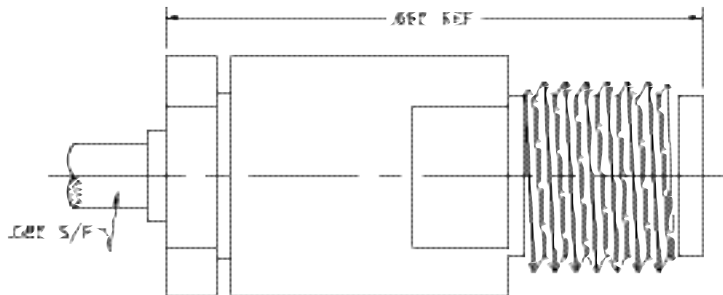


## 2.9mm Cable Connectors

### 25-000-1585-90

2.9mm Jack to .085 S/R Cable  
Solder Clamp

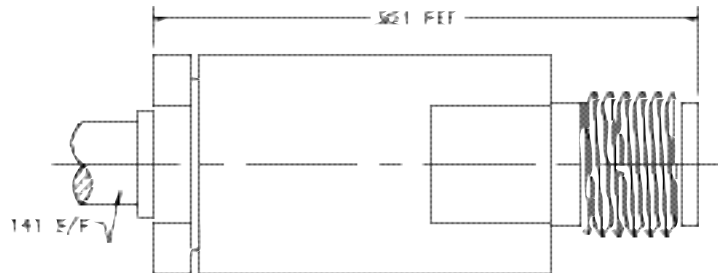
DC-40 GHz



### 25-000-1541-90

2.9mm Jack to .141 S/R Cable  
Solder Clamp

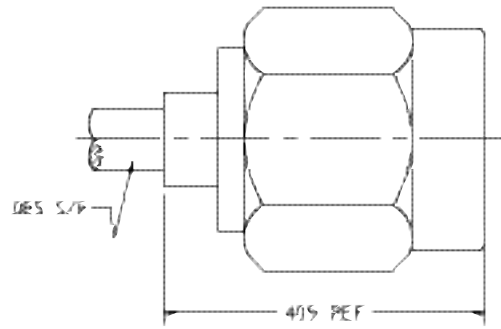
DC-40 GHz



### 24-000-1085-90

2.9mm Plug to .085 S/R Cable  
Direct Solder

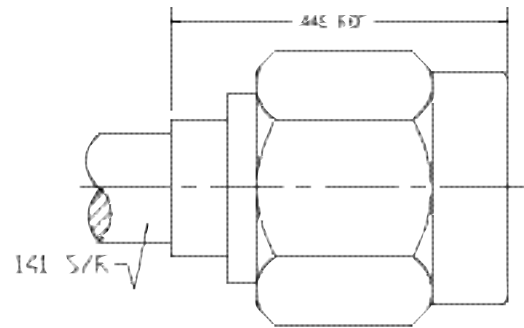
DC-40 GHz



### 24-000-1041-90

2.9mm Plug to .141 S/R Cable  
Direct Solder

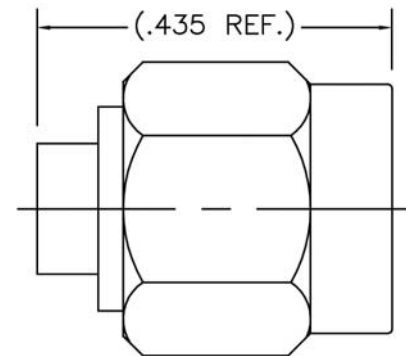
DC-40 GHz



### 24-000-1012-90

2.9mm Plug to UT120 Low Loss  
Direct Solder

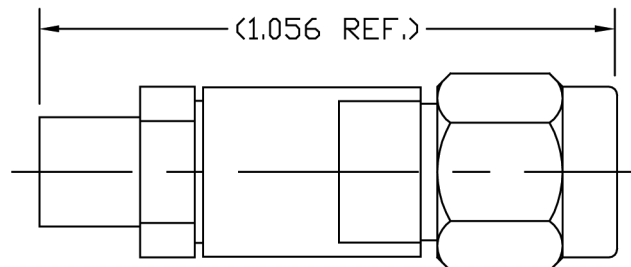
DC-40 GHz



### 24-000-1501-90

2.9mm Plug to IW1501  
Solder Clamp

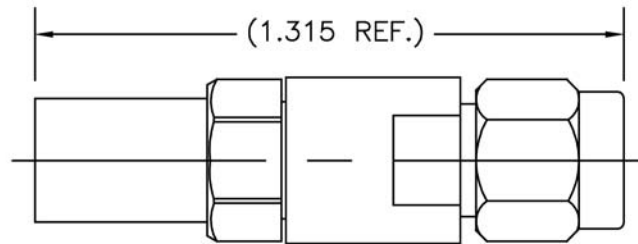
DC-40 GHz



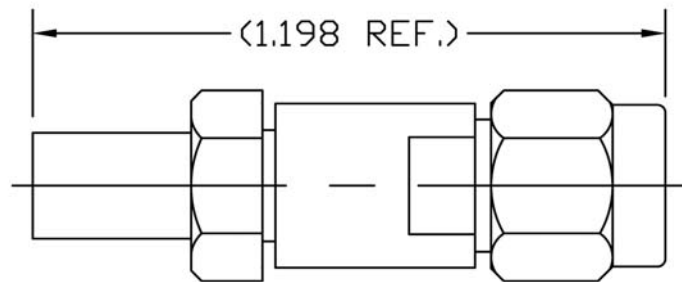
## 2.9mm Cable Connectors

**24-000-1503-90**2.9mm Plug to IW1503  
Solder Clamp

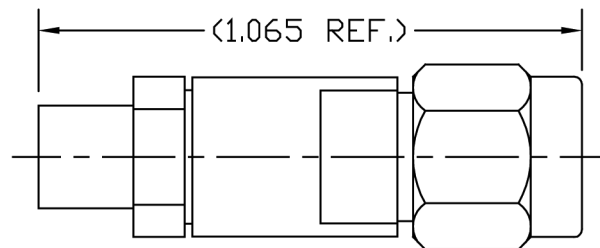
DC-40 GHz

**24-000-1516-90**2.9mm Plug to SFT-316  
Solder Clamp

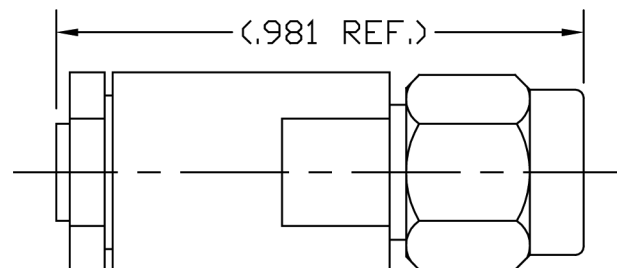
DC-40 GHz

**24-000-1523-0****0**  
2.9mm Plug to LL120  
Solder Clamp

DC-40 GHz

**24-000-1541-90**2.9mm Plug to .141 S/R  
Solder Clamp

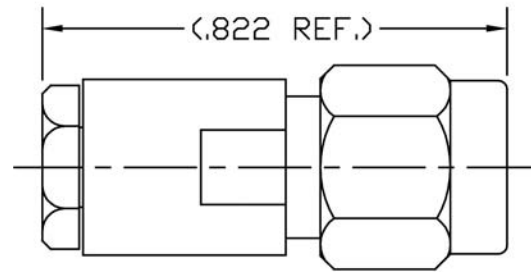
DC-34 GHz



### 24-000-1547-80

2.9mm Plug to .047 S/R  
Solder Clamp

DC-40 GHz

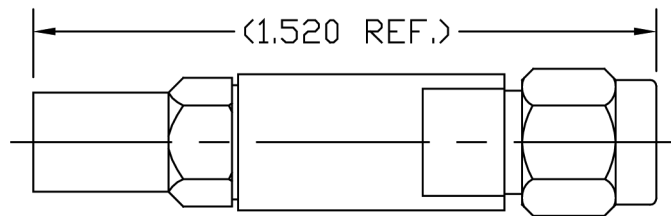


### 24-000-1563-9

0

2.9mm Plug to HP160  
Solder Clamp

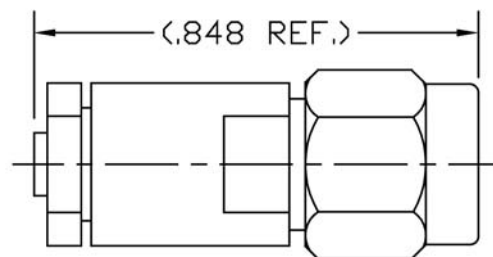
DC-40 GHz



### 24-000-1585-90

2.9mm Plug to .085 S/R  
Solder Clamp

DC-40 GHz

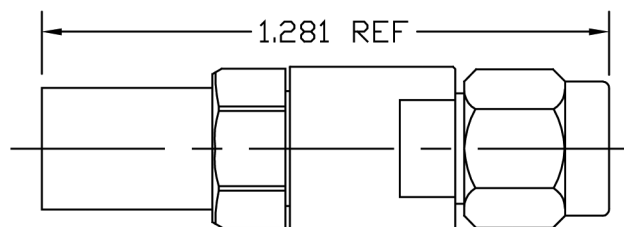


### 24-000-1597-9

0

2.9mm Plug to LL142  
Solder Clamp

DC-40 GHz

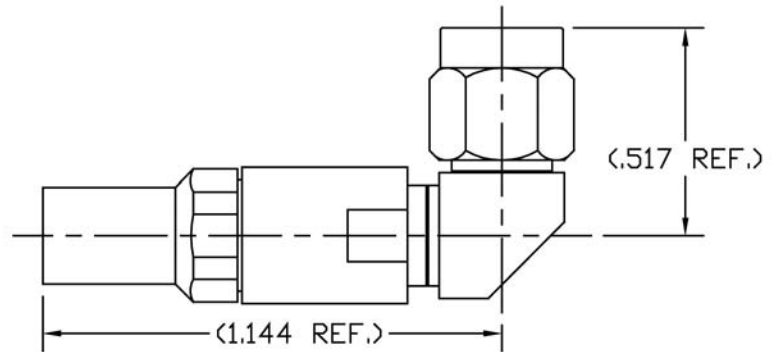




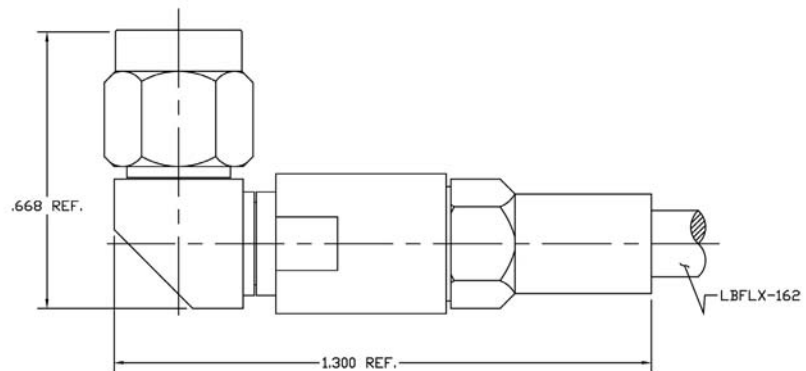
## 2.9mm Cable Connectors

**24-041-1501-90**2.9mm Plug R/A to IW1501  
Solder Clamp

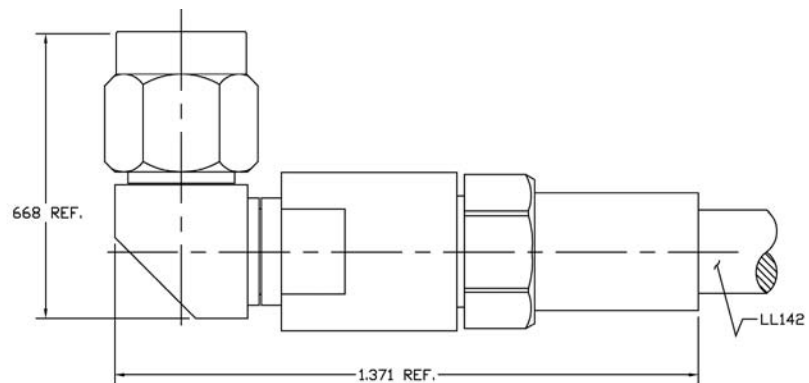
DC-40 GHz

**24-041-1562-90**2.9mm Plug R/A to Lab-Flex 162  
Solder Clamp

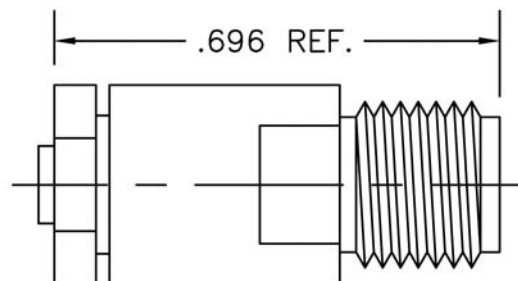
DC-40 GHz

**24-041-1597-90**2.9mm Plug R/A to LL142  
Solder Clamp

DC-40 GHz

**25-000-1508-90**2.9mm Jack to .085 Low Loss  
Solder Clamp

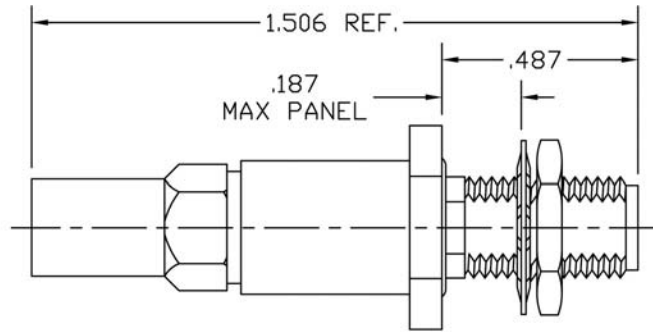
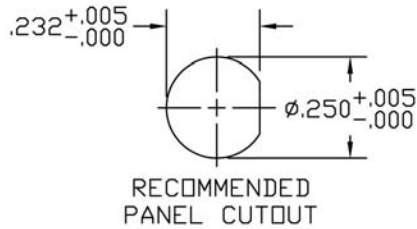
DC-40 GHz



## 2.9mm Cable Connectors

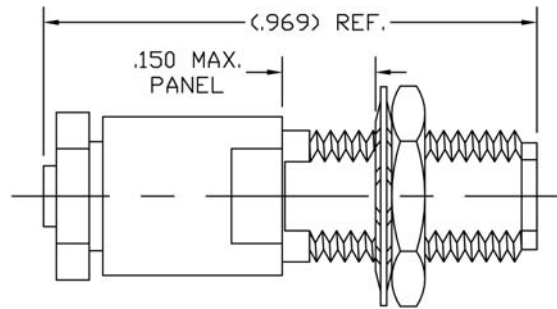
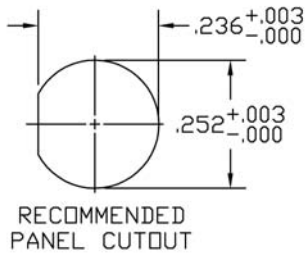
### 25-020-1563-90

2.9mm Jack Bulkhead to HP160  
Solder Clamp  
DC-40 GHz



### 25-020-1585-90

2.9mm Jack Bulkhead to .085 S/R  
Solder Clamp  
DC-40 GHz

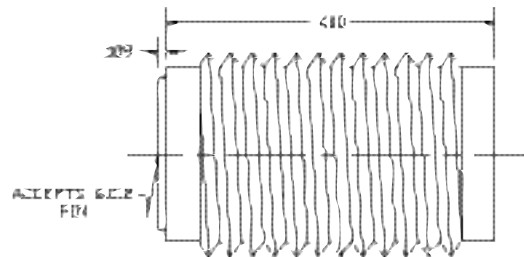


## 2.9mm Receptacles

### 25-145-1510-12

2.9mm Jack Receptacle  
(Sparkplug)

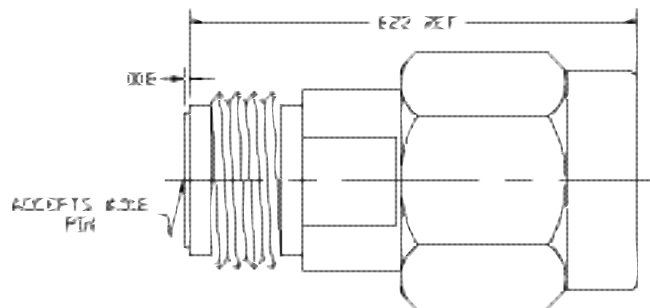
DC-40 GHz



### 24-145-1510-12

2.9mm Plug Receptacle  
(Sparkplug)

DC-40 GHz

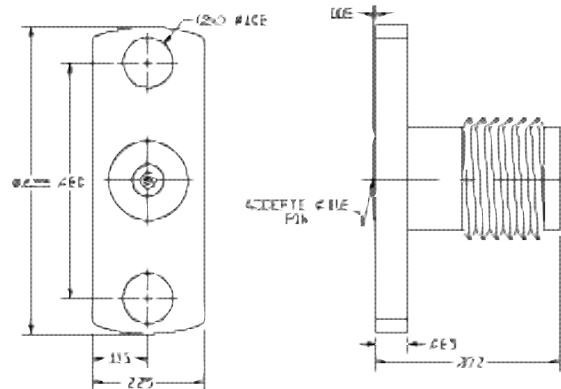


## 2.9mm Receptacles

### 25-130-1500-90

2.9mm Jack Receptacle  
2 Hole Flange Mount

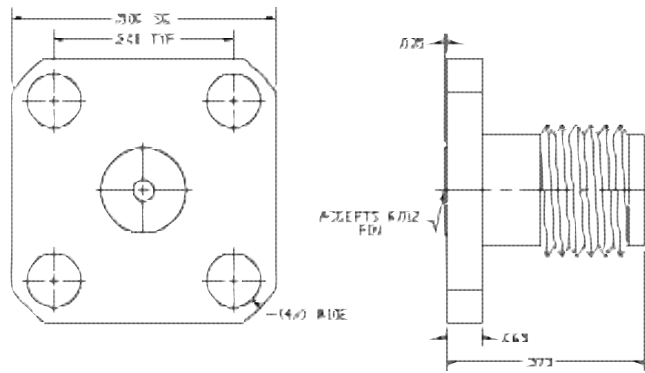
DC-40 GHz



### 25-131-1500-90

2.9mm Jack Receptacle  
4 Hole Flange Mount

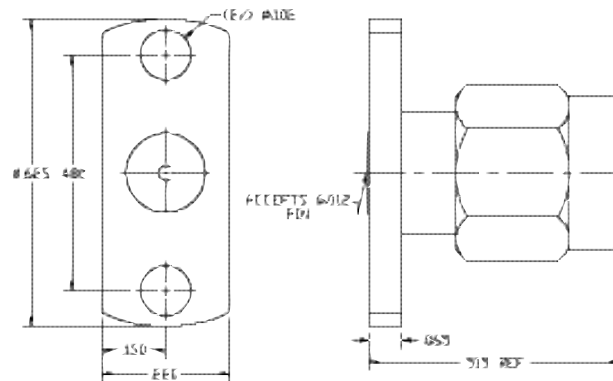
DC-40 GHz



### 24-130-1500-90

2.9mm Plug Receptacle  
2 Hole Flange Mount

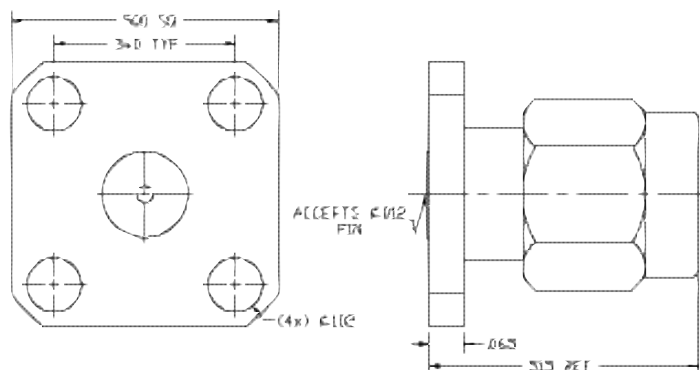
DC-40 GHz



### 24-131-1500-90

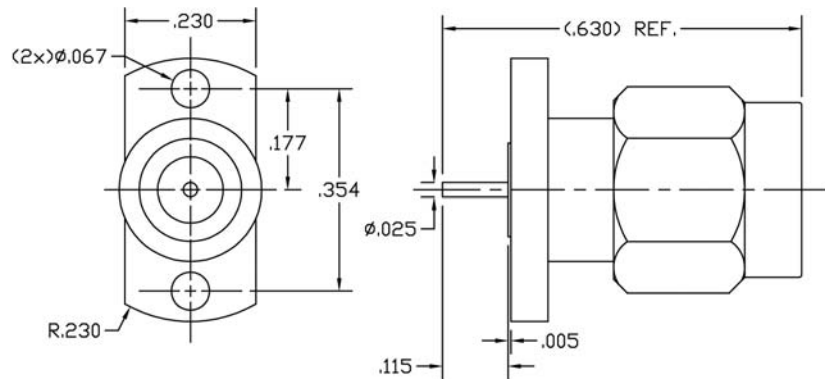
2.9mm Plug Receptacle  
4 Hole Flange Mount

DC-40 GHz



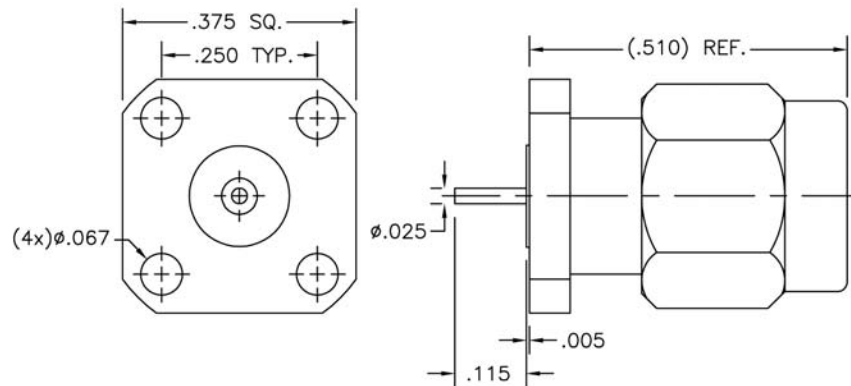
**24-130-1000-90**  
2.9mm Plug Receptacle  
2 Hole Flange Mount

DC-40 GHz



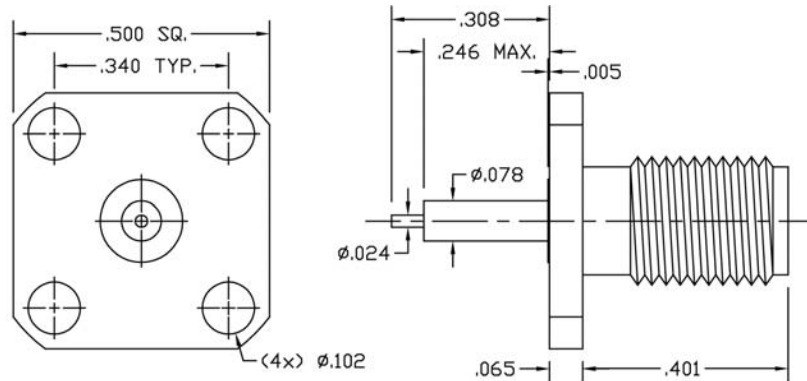
**24-131-1000-90**  
2.9mm Plug Receptacle  
4 Hole Flange Mount

DC-40 GHz



**25-131-1000-96**  
2.9mm Jack Receptacle  
4 Hole Flange Mount

DC-40 GHz



**25-146-1000-90**  
2.9mm Jack PCB Mount

DC-40 GHz

