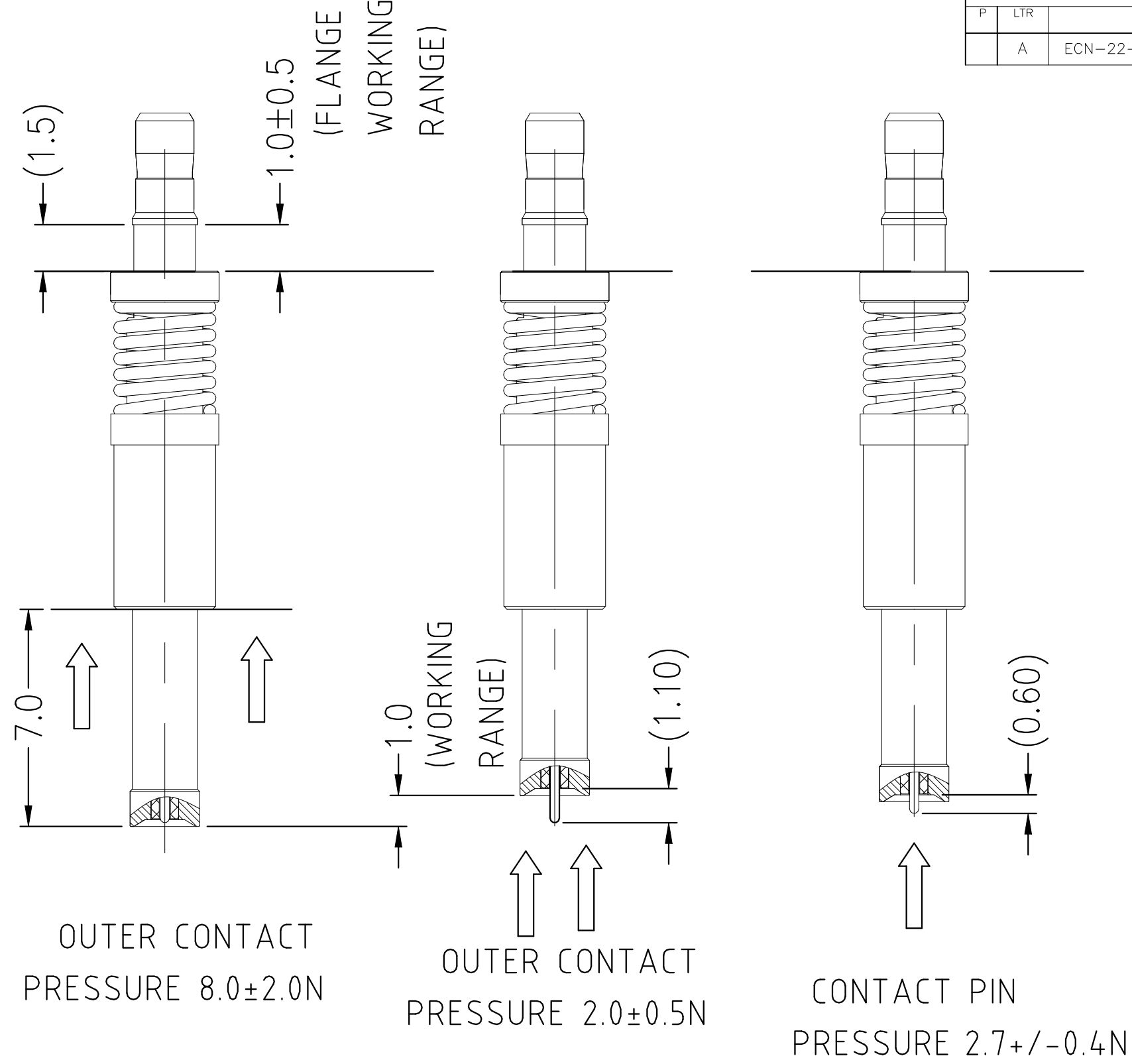
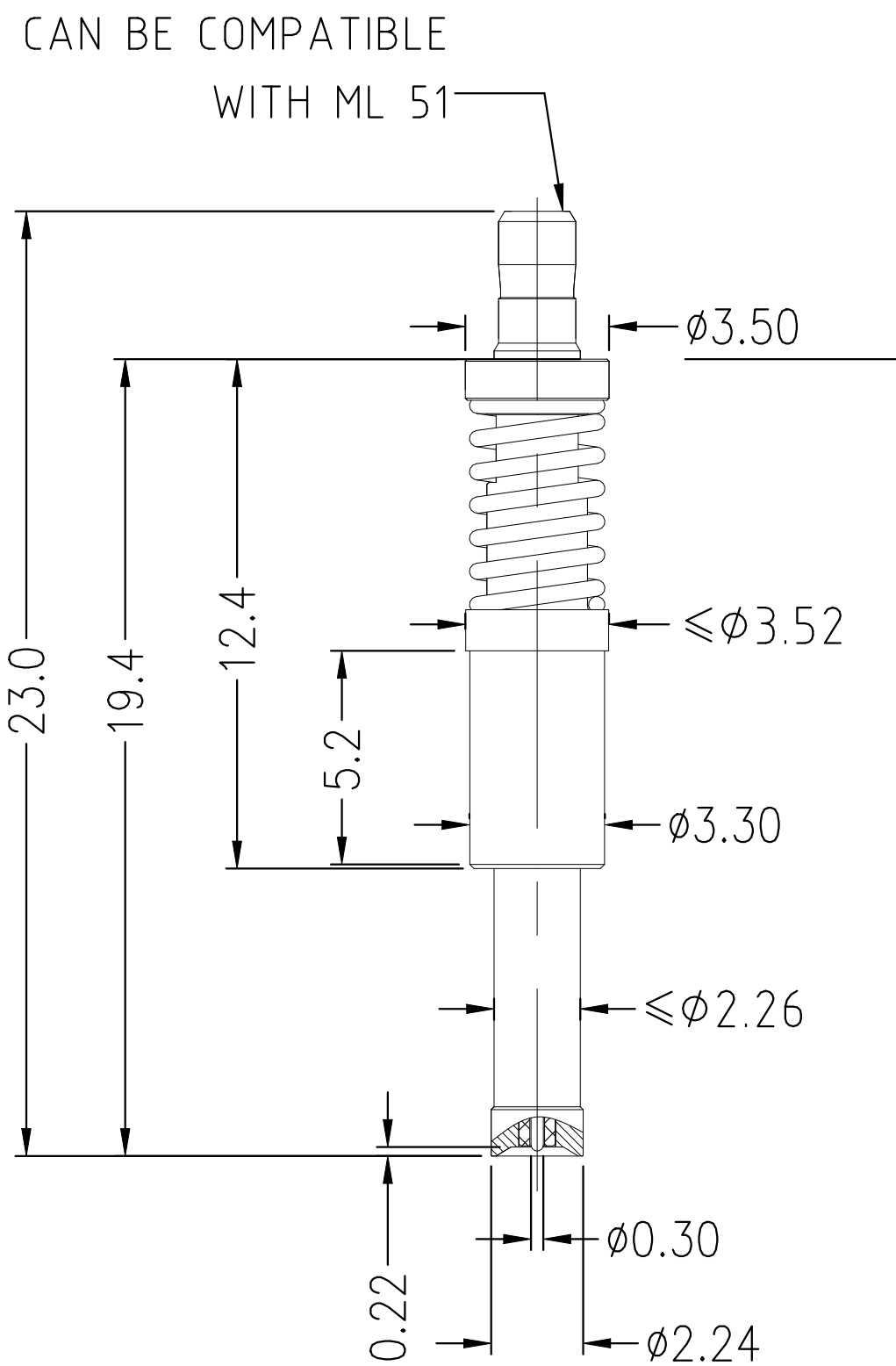


P	LTR	DESCRIPTION	DATE	DWN	APVD
A		ECN-22-152748	11MAY2022	PZ	WKH



ELECTRICAL	MECHANICAL	ENVIRONMENTAL
Impedance (Ohm): <u>50</u> Frequency Range:DC to 9GHz Voltage Rating (Peak) @ Sea Level 170 V RMS Insulation Resistance (MIN.) 500 M ohms Contact Resistance (mohms MAX) Center Contact 50 Outer Contact 20 Dielectric Withstand Voltage: 500 V RMS Max Insertion Loss :<0.6 dB @0-6GHz <0.8 dB @6-9GHz VSWR: 1.3 max @ DC~6GHz 1.5 max @ 6GHz~9GHz	Interface Dimension <u>IV SWITCH</u> Force to Engage and Disengage Engage: N/A Disengage: N/A CONDUCTOR ELASTICITY: FLANGE ELASTICITY(PRESS 1.0±0.5mm) 600gf~1000gf OUTER CONDUCTOR ELASTICITY(PRESS 1.0±0.05mm) 150gf~250gf INNER CONDUCTOR ELASTICITY(PRESS 0.6±0.05mm) 230gf~310gf Cable Retention Axial (Lbs) N/A Mating cycles <u>10000</u> cycles (IV SWITCH)	TEMPERATURE RANGE -40 °C~+85 °C ROHS <u>COMPLIANT</u>

2408018-1	SPRING	STAINLESS STEEL	PASSIVATION
	CONTACT PIN	BERYLLIUM COPPER	PL.GOLD/NICKEL/COPPER
	INSULATOR	PTFE MIL-P-19468	N/A
	BODY	STAINLESS STEEL	PASSIVATION
	PART NUMBER	MATERIAL	PLATING

THIS DRAWING IS A CONTROLLED DOCUMENT.

DWN	PENG ZHAI	18FEB2022
CHK	WENKE HE	18FEB2022
APVD	WENKE HE	18FEB2022

TE Connectivity

TEST PROBE FOR RF SWITCH 4 ADAPTOR

SIZE	A2	CAGE CODE	00779	DRAWING NO	C=2408018	RESTRICTED TO	-
SCALE	1:1	SHEET	1 of 1	REV	A		

CUSTOMER DRAWING