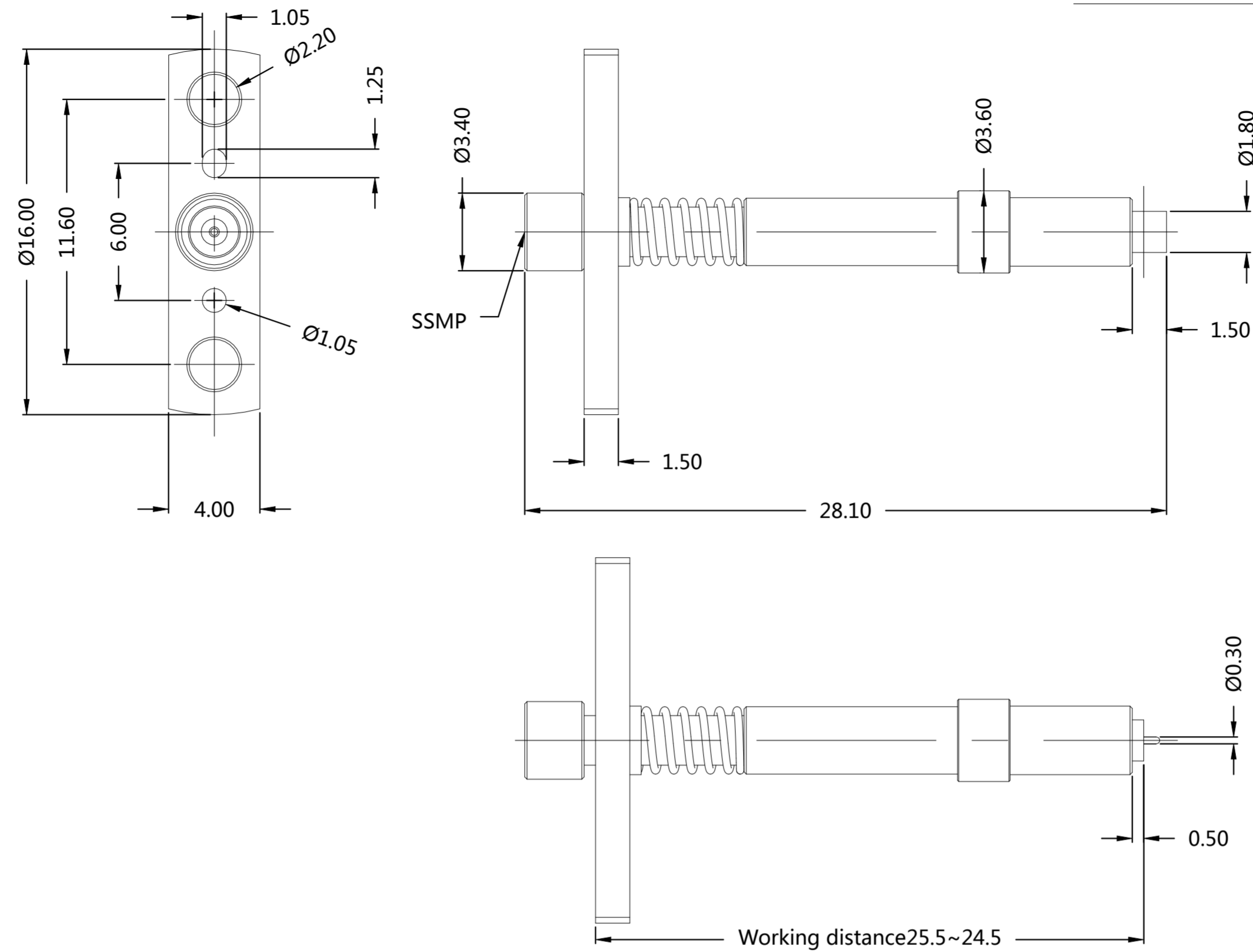


REVISIONS					
P	LTR	DESCRIPTION	DATE	DWN	APVD
A		ECN-22-152748	11MAY2022	PZ	WKH



ELECTRICAL	MECHANICAL	ENVIRONMENTAL
Impedance (Ohm): <u>50</u> Frequency Range:DC to 9GHz Voltage Rating (Peak) @ Sea Level 170 V RMS Insulation Resistance (MIN.) 500 M ohms Contact Resistance (mohms MAX) Center Contact <u>50</u> Outer Contact <u>20</u> Dielectric Withstand Voltage: 500 V RMS Max Insertion Loss :<0.6 dB @0-6GHz <0.8 dB @6-9GHz VSWR: 1.3 max @ DC~6GHz 1.5 max @ 6GHz~9GHz	Interface Dimension <u>SSMP TO SWITCH</u> Force to Engage and Disengage Engage: <u>N/A</u> Disengage: <u>N/A</u> CONDUCTOR ELASTICITY: FLANGE ELASTICITY(PRESS 1.0±0.5mm) 350gf~550gf OUTER CONDUCTOR ELASTICITY(PRESS 1.0±0.05mm) 150gf~300gf INNER CONDUCTOR ELASTICITY(PRESS 0.6±0.05mm) 100gf~220gf Cable Retention Axial (Lbs) <u>N/A</u> Mating cycles <u>10000</u> cycles (SWITCH SIDE) <u>500</u> cycles (SSMP)	TEMPERATURE RANGE -40 °C~+85 °C ROHS <u>COMPLIANT</u>

2408022-1	FLANGE	STAINLESS STEEL	PASSIVATION
	CONTACT PIN	BERYLLIUM COPPER	PL.GOLD30u"/NICKEL/COPPER
	INSULATOR	PTFE MIL-P-19468	N/A
	BODY	BRASS C3604	PL.GOLD5u"/NICKEL/COPPER
	PART NUMBER	MATERIAL	PLATING

THIS DRAWING IS A CONTROLLED DOCUMENT.		DWN	18FEB2022		TE Connectivity
DIMENSIONS: mm		CHK	18FEB2022		
TOLERANCES UNLESS OTHERWISE SPECIFIED:		APVD	18FEB2022		
0 PLC ± - 1 PLC ± 0.3 2 PLC ± 0.2 3 PLC ± 0.1 4 PLC ± - ANGLES ± 5°		NAME	WENKE HE		
MATERIAL	FINISH	PRODUCT SPEC	APPLICATION SPEC	SSMP MALE S/T TO SWITCH ADAPTER	
		WEIGHT		SIZE	A2
CUSTOMER DRAWING		CAGE CODE	00779	DRAWING NO	C=2408022
		SCALE	1:1	SHEET	1 OF 1
		REV	A		