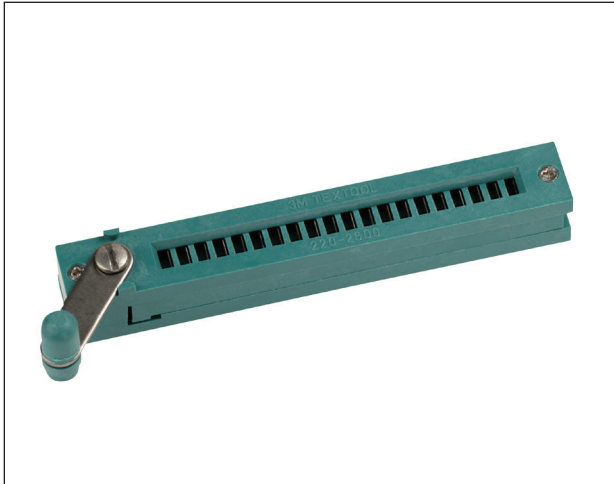


3M™ Textool™ ZIP Strip Sockets

.100" [2.54 mm] In-Line ZIP Strip Sockets



- For single-in-line packages on .100" (2.54 mm) centers
- Can be used in sets of two or more to create a socket for non-standard leaded packages on 100" (2.54 mm) centers
- SIP pin counts from 10 through 36 leads
- Lever actuated zero insertion force mechanism
- Accepts pins up to .025" (0.6 mm) square
- Socket contact point of .085" (2.2 mm) below top surface of socket
- See Regulatory Information Appendix for chemical compliance information. Paragraphs E1 and C1 apply

Date Modified: January 23, 2014

TS-0362-C
Sheet 1 of 2

Physical

Insulation

Material: Glass Filled Polysulfone

Flammability: UL 94V-0

Color: Green

Marking: 3M Logo & Part Number Identifier

Contact:

Material: Beryllium Copper

Wiping Area: 30 m" (0.76 mm) Gold over 50 m" (1.3 mm) Nickel

Electrical

Current Rating: 1 Amp

Insulation Resistance: $> 1 \times 10^9 \Omega$ at 500 V_{DC}

Withstanding Voltage: 1000 V_{RMS} at Sea Level

Environmental

Temperature Rating: -55°C to +125°C



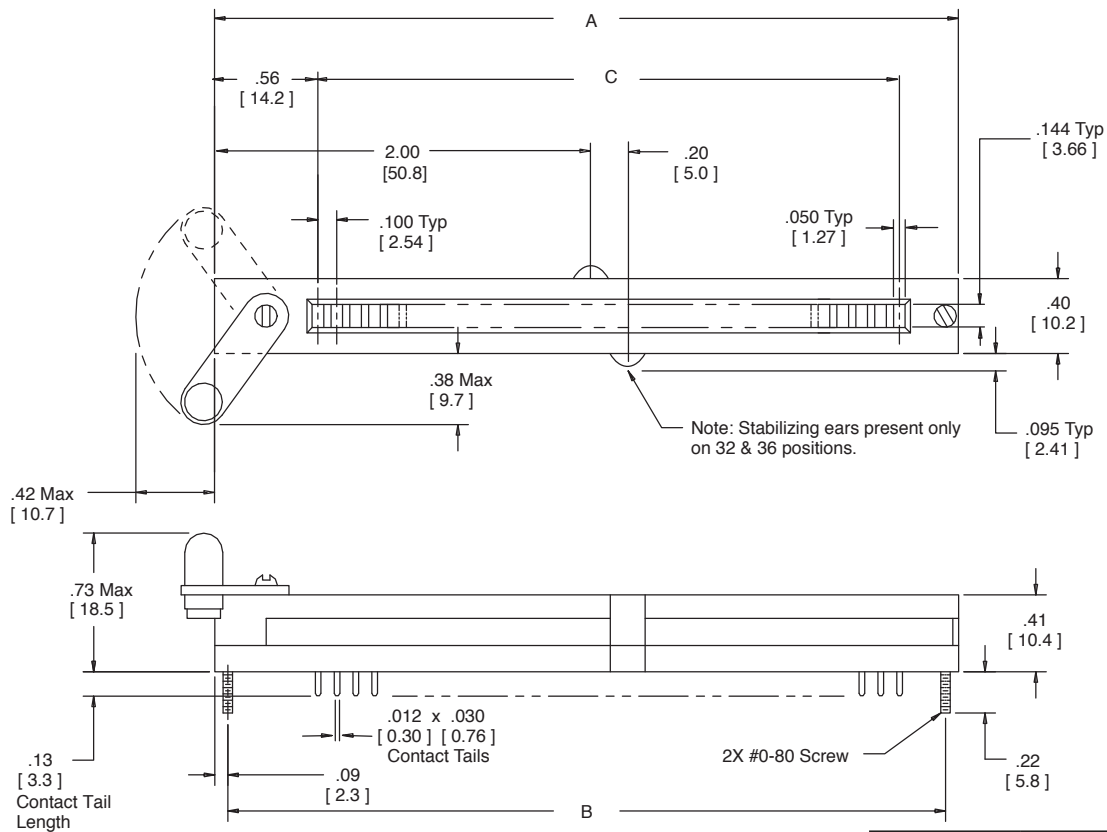
Electronic Solutions Division
Interconnect Solutions
<http://www.3Mconnectors.com>

3M is a trademark of 3M Company.
For technical, sales or ordering information call
800-225-5373

3M™ Textool™ ZIP Strip Sockets

.100" [2.54 mm] In-Line ZIP Strip Sockets

Dimensions			
Contact Quantity	A	B	C
10	1.77 [45.0]	1.59 [40.4]	.900 [22.86]
20	2.75 [69.9]	2.57 [65.3]	1.900 [48.26]
24	3.15 [80.0]	2.97 [75.4]	2.300 [58.42]
32	3.97 [100.8]	3.81 [96.8]	3.100 [78.74]
36	4.35 [110.5]	4.17 [105.9]	3.500 [88.90]



	Tolerance $\frac{\text{inch}}{\text{(mm)}}$	
Dimension	.00 (.0)	.000 (.00)
Tolerance	±.010 (±.25)	±.005 (±.13)

Ordering Information

Socket Part Number	Contact Quantity
210-2599-00-0602	10
220-2600-00-0602	20
224-5809-00-0602	24
232-2601-00-0602	32
236-6225-00-0602	36

TS-0362-C
Sheet 2 of 2



Electronic Solutions Division
Interconnect Solutions
<http://www.3Mconnectors.com>

3M is a trademark of 3M Company.
For technical, sales or ordering information call
800-225-5373