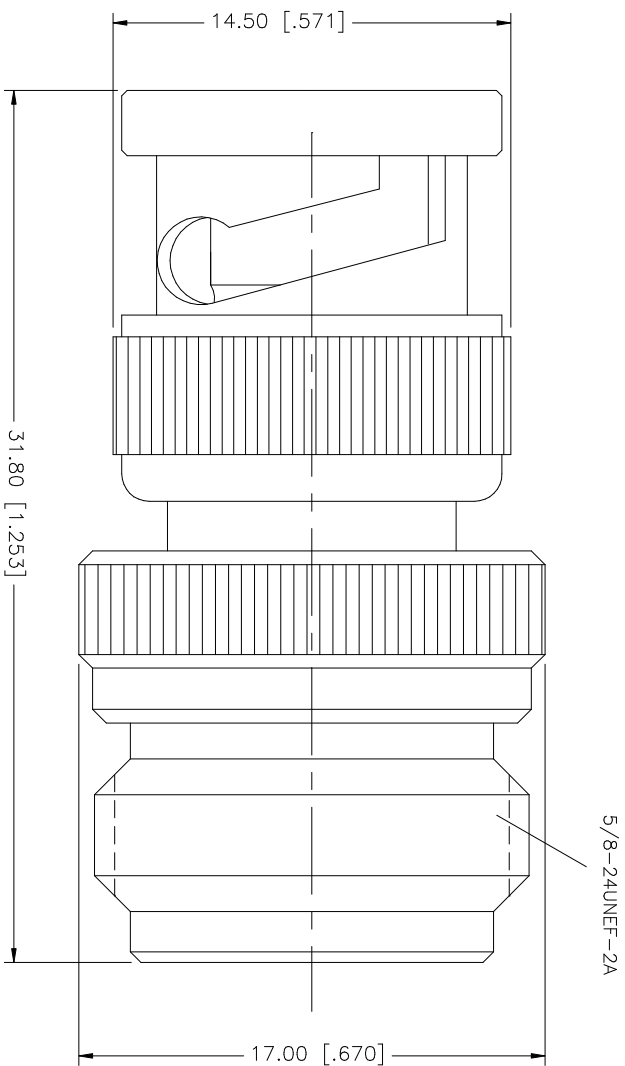


REV.	DATE	DESCRIPTION
NC	04/25/97	INITIAL RELEASE
A	07/28/06	UPDATE DRAWING FORMAT



NO.	DESCRIPTION	MATERIAL	FINISH	QTY	UNLESS OTHERWISE SPECIFIED DIMENSIONS ARE IN MILLIMETERS. DIMENSIONS IN PARENTHESIS ARE IN INCHES AND FOR SUBSTITUTED SERVICE ONLY.	UNLESS OTHERWISE SPECIFIED TOLERANCES FOR MILLIMETERS ARE:	UNLESS OTHERWISE SPECIFIED TOLERANCES FOR INCHES ARE:	APPROVALS	DATE	PART DESCRIPTION							
8						0.5 - 8mm ± 0.20mm	.020 - .315 = ± 0.007"	DRAWN	G.R.S.	07/28/06	Amphenol Connex BNC MALE TO N FEMALE ADAPTER - 242101						
7					8 - 30mm ± 0.40mm	.315 - 1.180 = ± 0.015"	CHECKED										
6					30 - 120mm ± 0.50mm	1.180 - 4.724 = ± 0.020"	ISSUED										
5							SHEET	1 OF 1									
4																	
3	CONTACT PIN	PHOS. BRONZE	GOLD	1													
2	INSULATOR	TEFLON	NATURAL	1													
1	BODY	BRASS	NICKEL	1													
	DESCRIPTION	MATERIAL	FINISH	QTY	DO NOT SCALE DRAWING			CAD FILE	C:/242/242101.DWG	DWG. NO.	242101.DWG	REV.	A	SIZE	A	SCALE	N/A