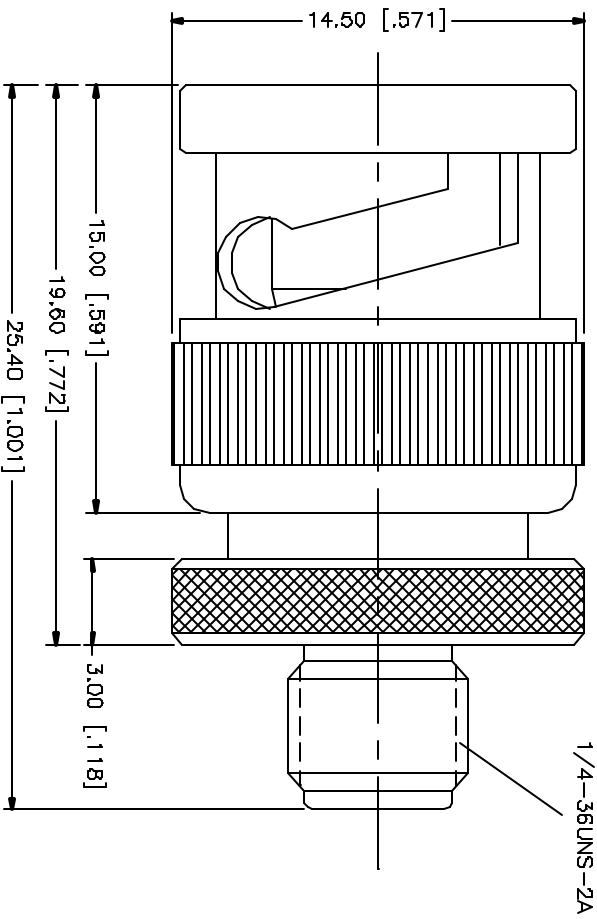


REV.	DATE	DESCRIPTION
A	03/27/05	UPDATE DRAWING'S FORMAT



REV.	DATE	DESCRIPTION	MATERIAL	FINISH	QTY
8					
7					
6					
5					
4					
3		CONTACT PIN	PHOS. BRONZE	GOLD	1
2		INSULATOR	TEFLON	NATURAL	1
1		BODY	BRASS	GOLD	1
		DESCRIPTION			

UNLESS OTHERWISE SPECIFIED DIMENSIONS ARE IN MILLIMETERS DIMENSIONS IN [ ] ARE IN INCHES AND FOR CUSTOMER REFERENCE ONLY.	
UNLESS OTHERWISE SPECIFIED TOLERANCES FOR MILLIMETERS ARE:	
0.5 - 30mm	± 0.20mm
30 - 120mm	± 0.40mm
120 - 300mm	± 0.50mm
UNLESS OTHERWISE SPECIFIED TOLERANCES FOR INCHES ARE:	
.000 - .315	± 0.0075
.315 - 1.180	± 0.015
1.180 - 4.724	± 0.020
DO NOT SCALE DRAWING	

APPROVALS	DATE
DRAWN G.R.S.	03/27/05
CHECKED	
RELEASD	
SHEET 1 OF 1	

S&D FILE	C:/242/242103.DWG
DWG. NO.	242103.DWG
REV.	A
SIZE	A
SCALE	NA

PART DESCRIPTION	
SMA FEMALE TO BNC MALE ADAPTER	
PART NO.	242103

# Amphenol Connex