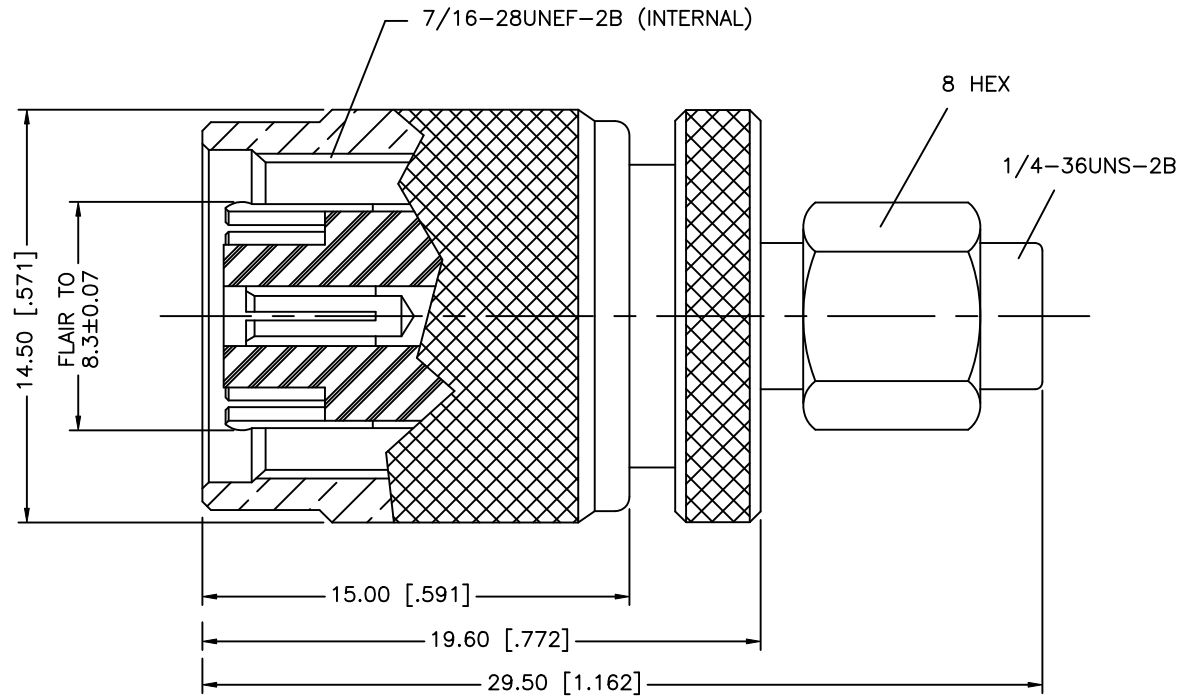


REV.	DATE	ECR NO.	DESCRIPTION
NC	07/24/08	-	INITIAL RELEASE



REV.	DATE	ECR NO.	DESCRIPTION
NC	07/24/08	-	INITIAL RELEASE

8				<small>UNLESS OTHERWISE SPECIFIED DIMENSIONS ARE IN MILLIMETERS. DIMENSIONS IN [] ARE IN INCHES AND FOR CUSTOMER REFERENCE ONLY.</small> <small>UNLESS OTHERWISE SPECIFIED TOLERANCES FOR MILLIMETERS ARE: 0.5 - 8mm ± 0.20mm 8 - 30mm ± 0.40mm 30 - 120mm ± 0.50mm</small> <small>UNLESS OTHERWISE SPECIFIED TOLERANCES FOR INCHES ARE: .020 - .315 = ± 0.007" .315 - 1.180 = ± 0.015" 1.180 - 4.724 = ± 0.020"</small>	APPROVALS	DATE	<h1 style="color: blue;">Amphenol Connex</h1>	
7					DRAWN	GRS		07/24/08
6					CHECKED			
5	SHELL	BRASS	NICKEL		1	ISSUED		
4	GASKET	RUBBER	RED		1	SHEET	1 OF 1	PART DESCRIPTION SMA PLUG TO TNC R/P PLUG ADAPTER
3	CONTACT PIN	PHOS. BRONZE	GOLD		1	PART NO. 242106RP		
2	INSULATOR	PTFE	NATURAL		1	DWG. NO. 242106RP.DWG		REV. NC SIZE A SCALE NA
1	BODY	BRASS	NICKEL		1	CAD FILE C:/242/242106RP.DWG		
	DESCRIPTION	MATERIAL	FINISH	QTY	DO NOT SCALE DRAWING			