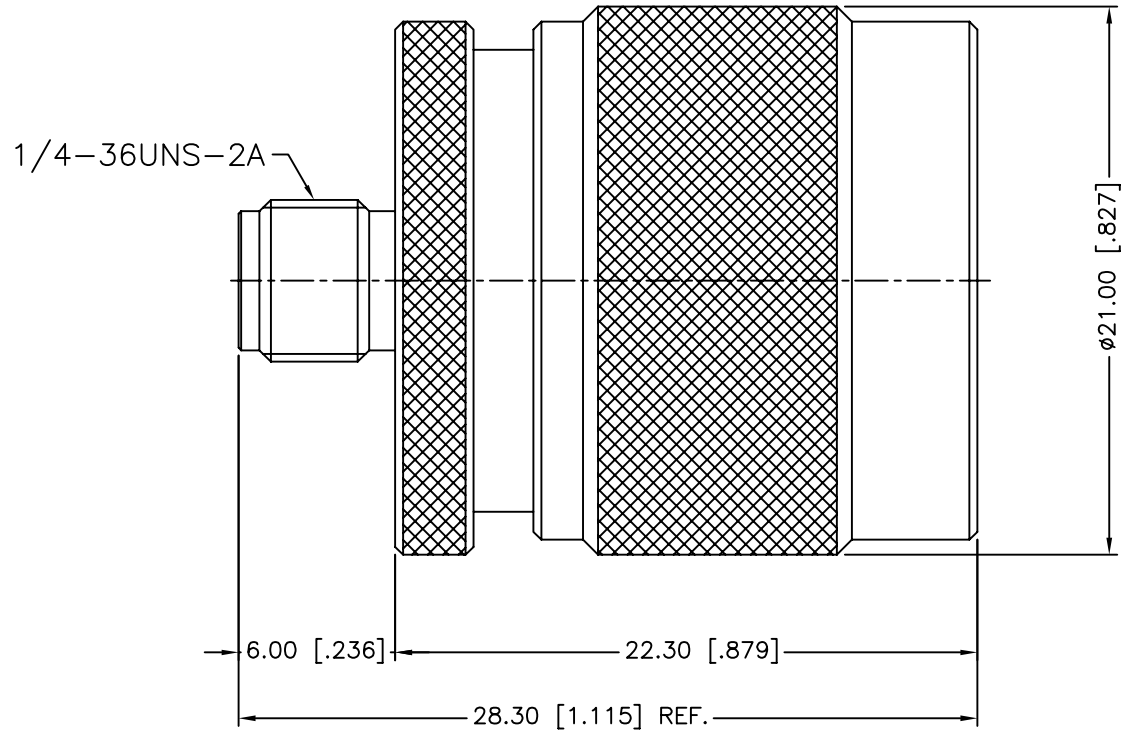


REV.	DATE	ECR NO.	DESCRIPTION
NC	08/25/09	XXXXXX	INITIAL RELEASE



				UNLESS OTHERWISE SPECIFIED DIMENSIONS ARE IN MILLIMETERS. DIMENSIONS IN () ARE IN INCHES AND FOR CUSTOMER REFERENCE ONLY.	APPROVALS	DATE	Amphenol Connex			
8					DRAWN	CW				08/25/09
7	CONTACT BODY	BRASS	NICKEL	1	CHECKED			PART NO. 242113		
6	SHELL	BRASS	NICKEL	1	ISSUED					
5	RETAINER RING	SUS 304	NATURAL	1	SHEET	1 OF 1		REV. NC SIZE A SCALE NA		
4	GASKET	SILICONE	RED	1	CAD FILE	C:/CONNEX/242113.DWG				
3	CONTACT PIN	PHOSPHOR BRONZE	GOLD	1						
2	INSULATOR	PTFE	NATURAL	1						
1	BODY	BRASS	NICKEL	1						
	DESCRIPTION	MATERIAL	FINISH	QTY	DO NOT SCALE DRAWING					

UNLESS OTHERWISE SPECIFIED DIMENSIONS ARE IN MILLIMETERS. DIMENSIONS IN () ARE IN INCHES AND FOR CUSTOMER REFERENCE ONLY.

UNLESS OTHERWISE SPECIFIED TOLERANCES FOR MILLIMETERS ARE:
0.5 - 8mm ± 0.20mm
8 - 30mm ± 0.40mm
30 - 120mm ± 0.50mm

UNLESS OTHERWISE SPECIFIED TOLERANCES FOR INCHES ARE:
.020 - .315 ± 0.007"
.315 - 1.180 ± 0.015"
1.180 - 4.724 ± 0.020"