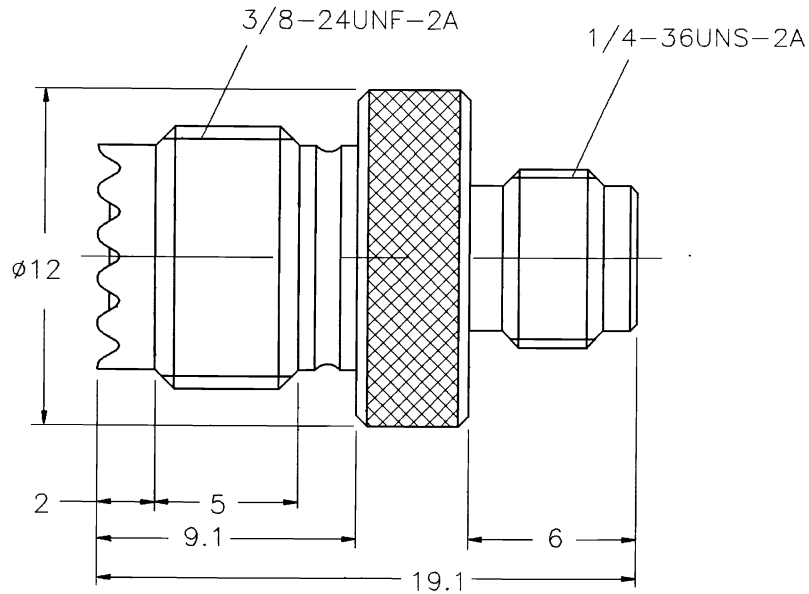



REV.	DATE	DESCRIPTION
NC	4/1/97	INITIAL RELEASE



DESCRIPTION	MATERIAL	FINISH	DIMENSIONS ARE IN MILLIMETERS UNLESS OTHERWISE SPECIFIED TOLERANCES ARE:	APPROVALS	DATE					
						TITLE	SIZE	FSCM NO.	DWG. NO.	REV.
1 BODY	BRASS	NICKEL	0.5-6 = ± 0.2	DRAWN G.R.S.	4/1/97	SMA FEMALE TO MINI-UHF FEMALE ADAPTOR	A	99001	242119.DWG	NC
2 CONTACT PIN	PHOS. BRONZE	GOLD	6-30 = ± 0.4	CHECKED						
3 INSULATOR	TEFLON	NATURAL	30-120 = ± 0.6	ISSUED						
4			120-315 = ± 1							
5			315-1000 = ± 1.6							
6			1000-2000 = ± 2.4							
7										
8			DO NOT SCALE DRAWING							
						SCALE 4:1	PART NO. 242119	SHEET 1 OF 1		