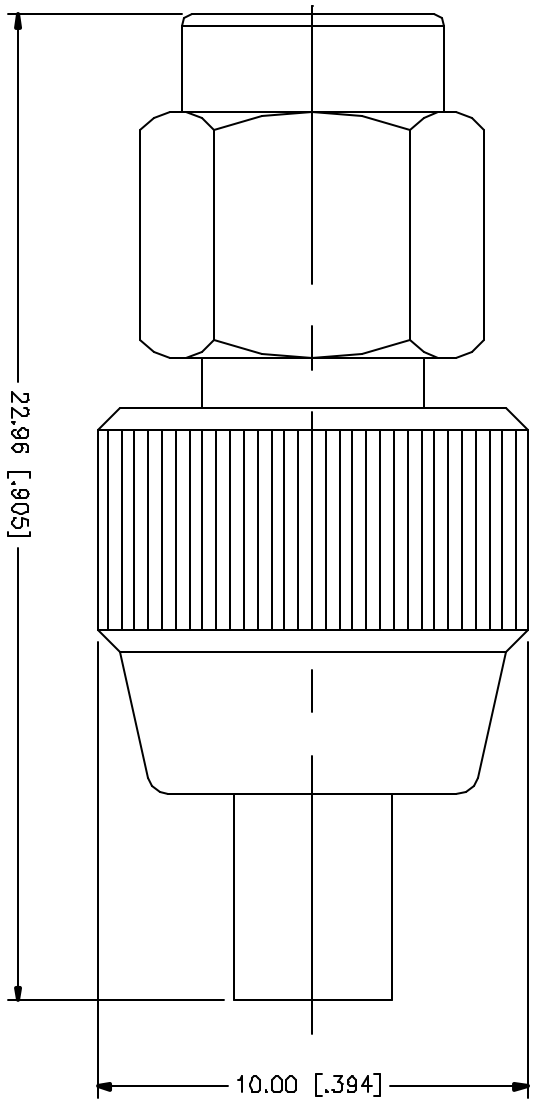


REV.	DATE	DESCRIPTION
A	03/27/05	UPDATE DRAWING FORMAT



QTY	DESCRIPTION	MATERIAL	FINISH	QTY	APPROVALS	DATE	PART DESCRIPTION	DWG. NO.	REV.	SIZE	SCALE
1	CONTACT PIN	BFR. COPPER	GOLD	1	DRAWN	03/27/05	<p><b>Amphenol Connex</b></p> <p>SMA MALE TO MCX FEMALE ADAPTER</p> <p>242126</p>	242126.DWG	A	A	NA
1	INSULATOR	TEFLON	NATURAL	1	CHECKED						
1	BODY	BRASS	GOLD	1	ISSUED						
1	DESCRIPTION			1	SHEET						
<p>PLEASE REFER TO THE DRAWING FOR DIMENSIONS AND TOLERANCES PER MILITARY SPEC. 0.3 - 31mm ± 0.25mm 31 - 120mm ± 0.50mm</p> <p>PLEASE REFER TO THE DRAWING FOR DIMENSIONS AND TOLERANCES PER MILITARY SPEC. .020 - .315 ± 0.007 .315 - 1.180 ± 0.015 1.180 - 4.724 ± 0.020</p> <p>DWG. FILE C:/242/242126.DWG</p>											