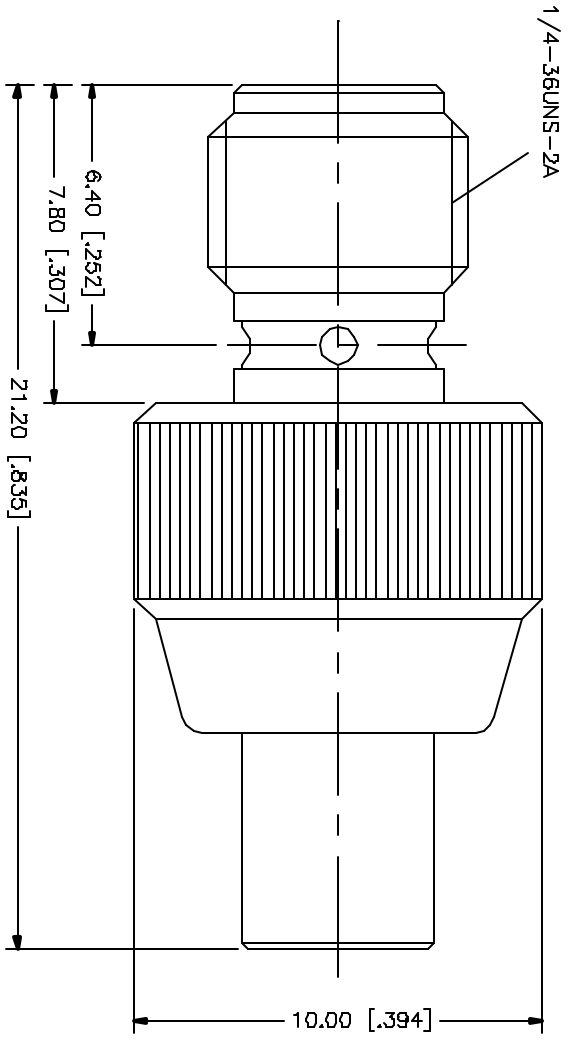


REV.	DATE	DESCRIPTION
A	03/27/05	UPDATE DRAWING FORMAT



REV.	DATE	DESCRIPTION	MATERIAL	FINISH	QTY
B					
7					
6					
5					
4					
3		CONTACT PIN	BER. COPPER	GOLD	1
2		INSULATOR	TEFLON	NATURAL	1
1		BODY	BRASS	GOLD	1
		DESCRIPTION			

<p>UNLESS OTHERWISE SPECIFIED DIMENSIONS ARE IN MILLIMETERS (DIMENSIONS IN [] ARE IN INCHES AND FOR DIMENSIONS NOTED OTHERWISE ONLY.)</p> <p>UNLESS OTHERWISE SPECIFIED TOLERANCES FOR MILLIMETERS ARE: D > 0 - 0.10mm ± 0.20mm 0 - 0.10mm ± 0.40mm 0.10 - 1.00mm ± 0.05mm</p> <p>UNLESS OTHERWISE SPECIFIED TOLERANCES FOR INCHES ARE: .020 - .315 = ± 0.007" .315 - 1.180 = ± 0.015" 1.180 - 4.724 = ± 0.020"</p>		<p>APPROVALS</p> <p>DATE</p> <p>03/27/05</p>
<p>DO NOT SCALE DRAWING</p>		<p>CAD FILE</p> <p>C:/242/242129.DWG</p>

<p>Amphenol Connex</p> <p>PART DESCRIPTION</p> <p>SMA FEMALE TO MCX FEMALE ADAPTER</p>		<p>PART NO.</p> <p>242129</p>
<p>DWG. NO.</p> <p>242129.DWG</p>	<p>REV. A</p>	<p>SIZE A</p>
		<p>SCALE NA</p>