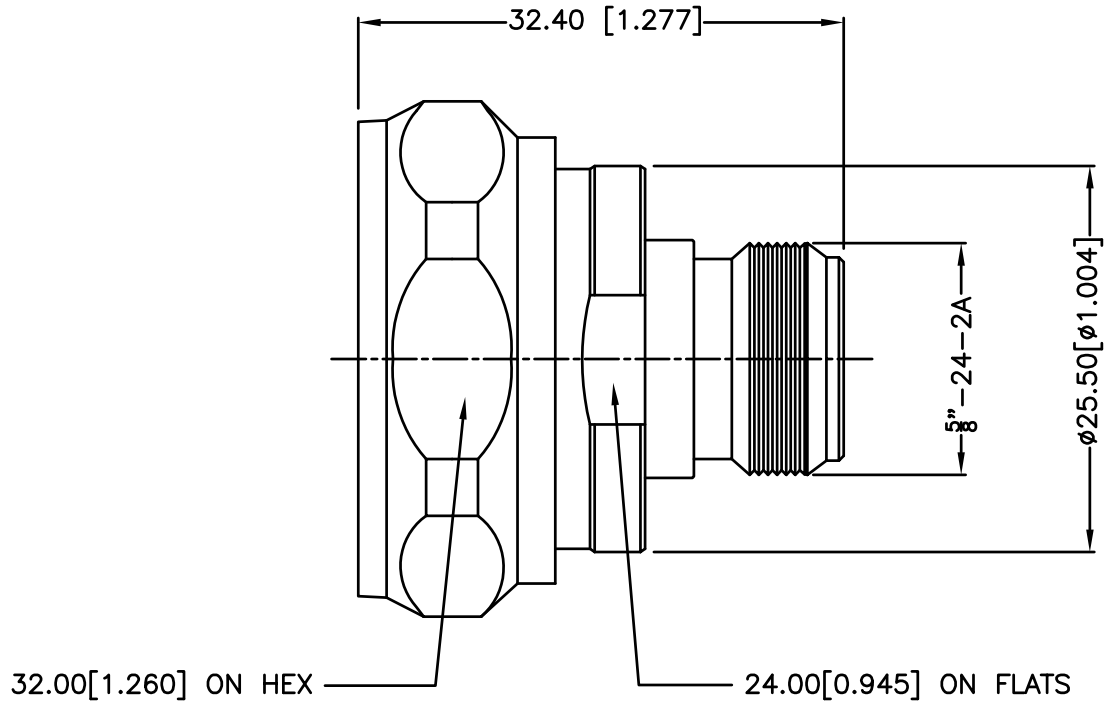


REV.	DATE	ECR NO.	DESCRIPTION
A	09/07/09	----	RELEASE TO MFG
B	09/03/10	2093	BOM UPDATED



DESCRIPTION	MATERIAL	FINISH	QTY	DO NOT SCALE DRAWING	APPROVALS	DATE	AMPHENOL CONNEX						
6	GASKET	SILICONE	RED	1	DRAWN	CLEMENT	09/07/09	PART DESCRIPTION N FEMALE TO 7/16 MALE ADAPTOR					
5	CONTACT PIN	BERYLLIUM COPPER	SILVER	1	CHECKED								
4	INSULATOR	TEFLON	NATURAL	1	ISSUED			PART NO. 242136					
3	BODY	BRASS	NEXCOTE	1	SHEET	1 OF 1		DWG. NO. 242136.DWG					
2	SHELL	BRASS	NEXCOTE	1	CAD FILE		C:/242/242136.DWG	REV.	B	SIZE	A	SCALE	NA
1	HOUSING	BRASS	NEXCOTE	1									

UNLESS OTHERWISE SPECIFIED DIMENSIONS ARE IN MILLIMETERS. DIMENSIONS IN [] ARE IN INCHES AND FOR CUSTOMER REFERENCE ONLY.

UNLESS OTHERWISE SPECIFIED TOLERANCES FOR MILLIMETERS ARE:
0.5 - 8mm ± 0.20mm
8 - 30mm ± 0.40mm
30 - 120mm ± 0.50mm

UNLESS OTHERWISE SPECIFIED TOLERANCES FOR INCHES ARE:
.020 - .315 = ± 0.007"
.315 - 1.180 = ± 0.015"
1.180 - 4.724 = ± 0.020"