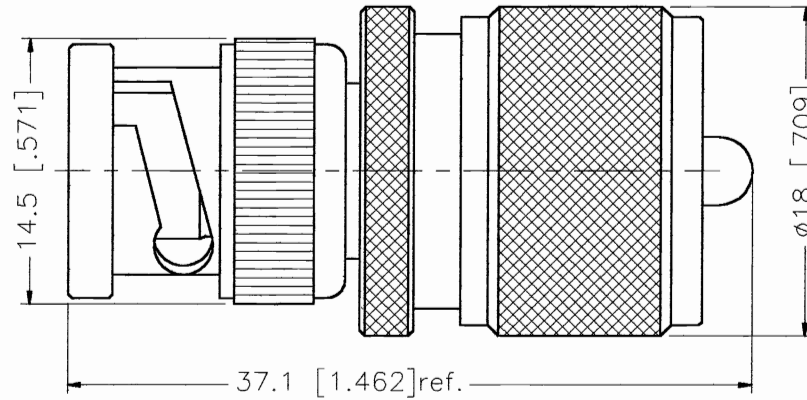



REV.	DATE	DESCRIPTION
NC	06/13/99	INITIAL RELEASE



	DESCRIPTION	MATERIAL	FINISH	UNLESS OTHERWISE SPECIFIED DIMENSIONS ARE IN MILLIMETERS DIMENSIONS IN [ ] ARE IN INCHES FOR CUSTOMER REFERENCE ONLY	APPROVALS	DATE				
					DRAWN					
1	BODY	BRASS	NICKEL	UNLESS OTHERWISE SPECIFIED TOLERANCES FOR MILLIMETERS ARE: 0.5-6 = ± 0.2 6-30 = ± 0.4 30-120 = ± 0.6 120-315 = ± 1 315-1000 = ± 1.6 1000-2000 = ± 2.4	CHECKED	06/13/99	TITLE BNC MALE TO UHF MALE ADAPTOR			
2	INSULATOR	DELTRIN	NATURAL		ISSUED		SIZE	FSCM NO.	DWG. NO.	REV.
3	CONTACT PIN	BRASS	GOLD				A	99001	242139.DWG	NC
4							SCALE	NA	PART NO.	SHEET
5									242139	1 OF 1
6										
7										
8					DO NOT SCALE DRAWING					