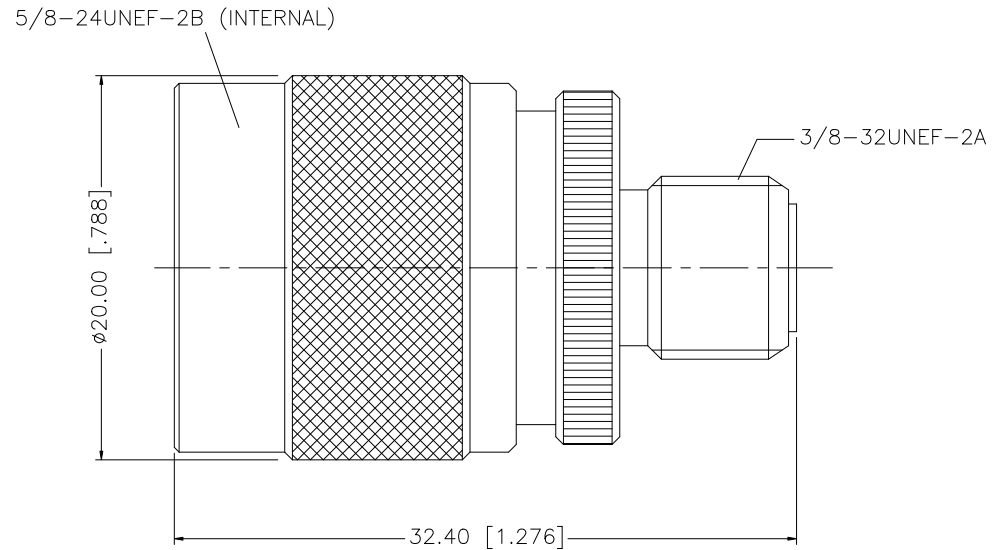


REV.	DATE	ECR NO.	DESCRIPTION
NC	03/06/00	-	INITIAL RELEASE
A	06/03/08	100024	UPDATE DRAWING FORMAT, INSULATOR REVISED TO PTFE



8				<small>UNLESS OTHERWISE SPECIFIED DIMENSIONS ARE IN MILLIMETERS. DIMENSIONS IN [ ] ARE IN INCHES AND FOR CUSTOMER REFERENCE ONLY.</small> <small>UNLESS OTHERWISE SPECIFIED TOLERANCES FOR MILLIMETERS ARE:</small> 0.5 - 8mm ± 0.20mm 8 - 30mm ± 0.40mm 30 - 120mm ± 0.50mm <small>UNLESS OTHERWISE SPECIFIED TOLERANCES FOR INCHES ARE:</small> .020 - .315 = ± 0.007" .315 - 1.180 = ± 0.015" 1.180 - 4.724 = ± 0.020" DO NOT SCALE DRAWING	APPROVALS	DATE	<h1 style="color: blue;">Amphenol Connex</h1>			
7					DRAWN	GRS		06/03/08		
6					CHECKED					
5					ISSUED					
4	GASKET	SILICONE	RED		1	SHEET		1 OF 1		
3	CONTACT PIN	BER. COPPER	GOLD	1	PART NO.		242156			
2	INSULATOR	PTFE	NATURAL	1	DWG. NO.			242156.DWG		
1	BODY	BRASS	NICKEL	1	REV.	A	SIZE	A	SCALE	NA
	DESCRIPTION	MATERIAL	FINISH	QTY	CAD FILE		C:/242/242156.DWG			

PART DESCRIPTION			
N MALE TO F FEMALE W/WATERPROOF ADAPTER			
PART NO.			
242156			
DWG. NO.	242156.DWG	REV.	A
SIZE	A	SCALE	NA