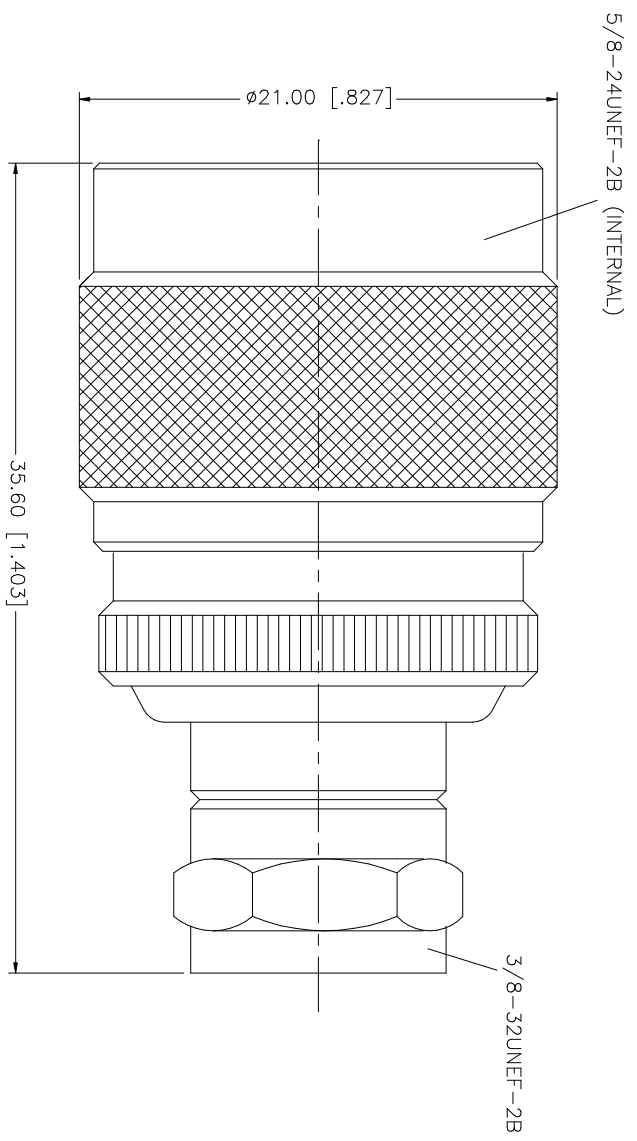


REV.	DATE	DESCRIPTION
A	09/25/03	MODIFY BODY LAYOUT



NO.	DESCRIPTION	MATERIAL	FINISH	QTY	UNLESS OTHERWISE SPECIFIED DIMENSIONS ARE IN INCHES AND FOR CUSTOMER REFERENCE ONLY. TOLERANCES FOR MILLING ARE:	UNLESS OTHERWISE SPECIFIED DIMENSIONS ARE IN MILLIMETERS ARE:	UNLESS OTHERWISE SPECIFIED DIMENSIONS FOR INCHES ARE:	UNLESS OTHERWISE SPECIFIED DIMENSIONS FOR MILLIMETERS ARE:	APPROVALS	DATE	PART DESCRIPTION							
8					0.5 - 8mm ± 0.20mm	0.020 - .315 = ± 0.007"	0.5 - 8mm ± 0.20mm	0.020 - .315 = ± 0.007"	DRAWN	09/25/03	<p style="text-align: center;"><b>Amphenol Connex</b></p> <p style="text-align: center;">PART DESCRIPTION</p> <p style="text-align: center;">N 50ohm MALE TO F 75ohm MALE ADAPTER</p>							
7					8 - 30mm ± 0.40mm	.315 - 1.180 = ± 0.015"	8 - 30mm ± 0.40mm	CHECKED										
6					30 - 120mm ± 0.50mm	1.180 - 4.724 = ± 0.020"	30 - 120mm ± 0.50mm	ISSUED										
5								SHEET	1 OF 1									
4																		
3	CONTACT PIN	BRASS	GOLD	1														
2	INSULATOR	TEFLON	NATURAL	1														
1	BODY	BRASS	NICKEL	1														
	DESCRIPTION	MATERIAL	FINISH	QTY	DO NOT SCALE DRAWING				CAD FILE	C:/242/242157.DWG	DWG. NO.	242157.DWG	REV	A	SIZE	A	SCALE	NA