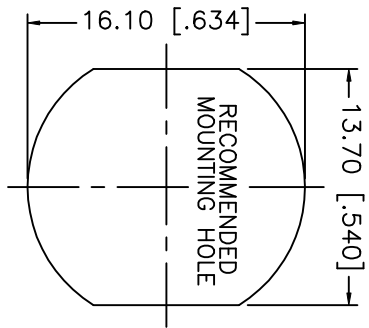
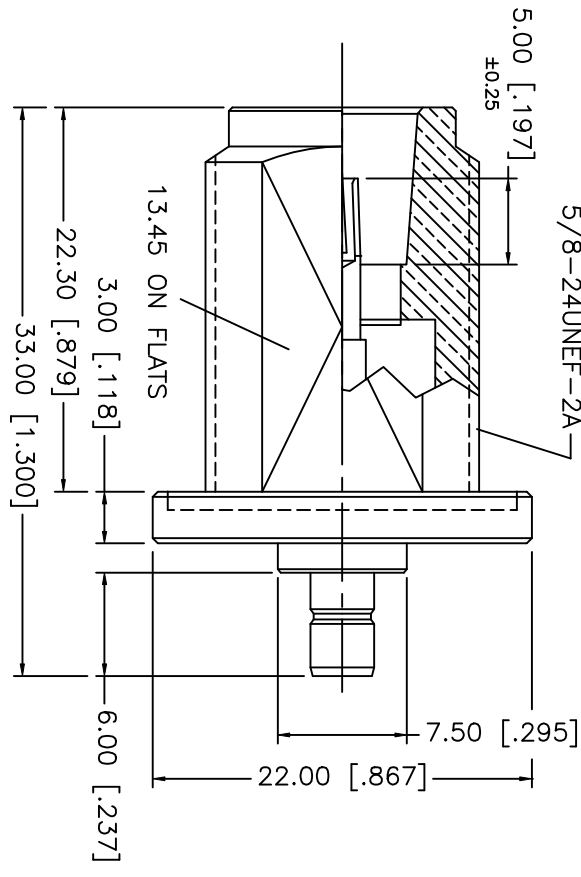
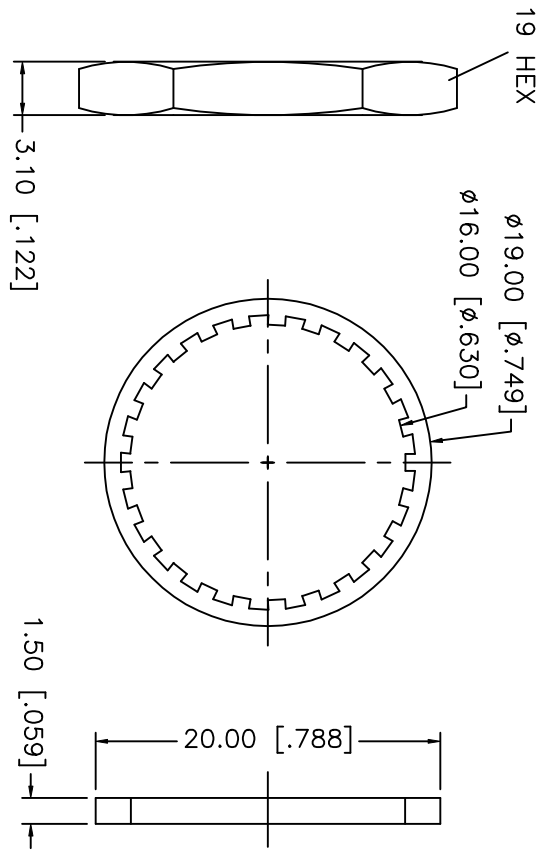


REV.	DATE	DESCRIPTION
NC	03/31/02	INITIAL RELEASE



NOTE:
1. MAX. PANEL THICKNESS = 6.8mm

UNLESS OTHERWISE SPECIFIED DIMENSIONS ARE IN MILLIMETERS	UNLESS OTHERWISE SPECIFIED DIMENSIONS IN [] ARE IN INCHES FOR CUSTOMER REFERENCE ONLY	UNLESS OTHERWISE SPECIFIED TOLERANCES FOR INCH ARE: .XXX = ± 0.005" .XX = ± 0.010" .X = ± 0.020"	DO NOT SCALE DRAWING
8			
7	HEX NUT	BRASS	NICKEL
6	LOCK WASHER	BRASS	NICKEL
5	GASKET	SILICONE	RED
4	BODY	BRASS	NICKEL
3	CONTACT PIN	BER. COPPER	GOLD
2	INSULATOR	TEFLON	NATURAL
1	HOUSING	BRASS	NICKEL
	DESCRIPTION	MATERIAL	FINISH
APPROVALS		DATE	TITLE
DRAWN G.R.S.		03/31/02	N BULKHEAD JACK TO SMB JACK ADAPTOR
CHECKED			
ISSUED			
SCALE		SIZE	REV.
NA		A	NC
PART NO.		DWG. NO.	
242183		242183.DWG	
SHEET			
1 OF 1			

Amphenol - Connex
CONNECTOR CORPORATION