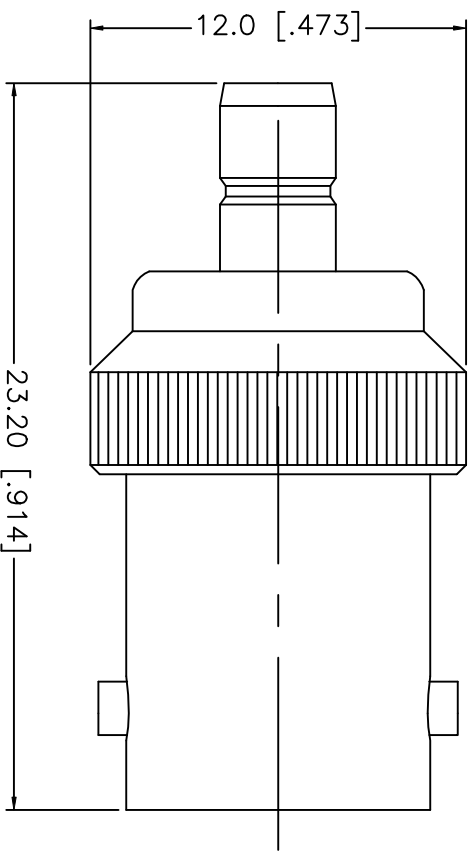


REV.	DATE	DESCRIPTION
NC	04/09/02	INITIAL RELEASE



8			
7			
6			
5			
4	CONTACT PIN	PHOS. BRONZE	GOLD
3	INSULATOR	TEFLON	NATURAL
2	SMB BODY	BRASS	GOLD
1	BNC BODY	BRASS	NICKEL
	DESCRIPTION	MATERIAL	FINISH

UNLESS OTHERWISE SPECIFIED DIMENSIONS ARE IN MILLIMETERS

DIMENSIONS IN [] ARE IN INCHES FOR CUSTOMER REFERENCE ONLY

UNLESS OTHERWISE SPECIFIED TOLERANCES FOR INCHES ARE:

- .XXX = ± 0.005"
- .XX = ± 0.010"
- .X = ± 0.020"

DO NOT SCALE DRAWING

APPROVALS		DATE
DRAWN	G.R.S.	04/09/02
CHECKED		
ISSUED		

Amphenol - Connex

CONNECTOR CORPORATION

TITLE
BNC JACK TO SMB JACK ADAPTOR

SIZE	FSCM NO.	DWG. NO.	REV.
A	99001	242186.DWG	NC
SCALE	PART NO.	SHEET 1 OF 1	
NA	242186		