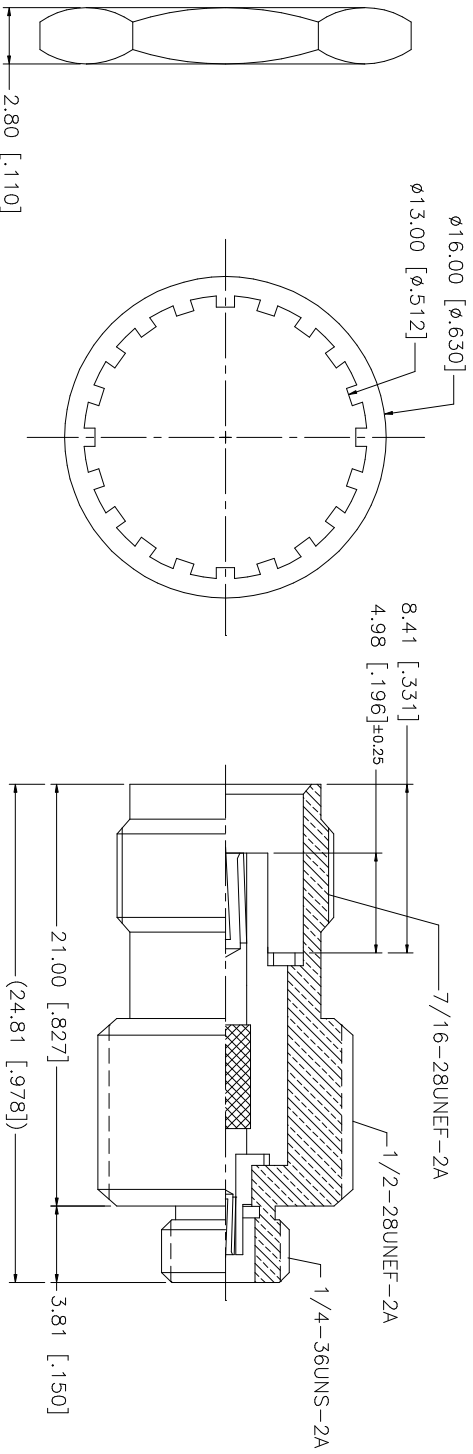


REV.	DATE	DESCRIPTION
A	12/05/02	ADD 1/4-36UNS-2A MATING FACE
B	01/29/03	MODIFY OVERALL BODY DIMENSIONS
C	03/18/04	ADD LOCK RING DIMENSION



NOTES:

1. MAX. PANEL THICKNESS = 6.5mm

NO.	DESCRIPTION	MATERIAL	FINISH	QTY	UNLESS OTHERWISE SPECIFIED DIMENSIONS ARE IN INCHES AND FOR CUSTOMER REFERENCE ONLY.	UNLESS OTHERWISE SPECIFIED TOLERANCES FOR MILLIMETERS ARE:	UNLESS OTHERWISE SPECIFIED TOLERANCES FOR INCHES ARE:	APPROVALS	DATE	PART DESCRIPTION			
8					DO NOT SCALE DRAWING					<p style="text-align: center;"><b>Amphenol Connex</b></p> <p style="text-align: center;">PART DESCRIPTION</p> <p style="text-align: center;"><b>TNC BULKHEAD JACK TO MCX JACK ADAPTER</b></p> <p>PART NO. <span style="float: right;">242190</span></p>			
7	LOCK RING	BRASS	NICKEL	1		0.5 - 8mm ± 0.20mm	.020 - .315 = ± 0.007"	DRAWN	03/18/04				
6	HEX NUT	BRASS	NICKEL	1		8 - 30mm ± 0.40mm	.315 - 1.180 = ± 0.015"	G.R.S.					
5	LOCK WASHER	BRASS	NICKEL	1		30 - 120mm ± 0.50mm	1.180 - 4.724 = ± 0.020"	CHECKED					
4	INSULATOR	TEFLON	NATURAL	1				ISSUED					
3	CONTACT PIN	BER. COPPER	GOLD	1				SHEET	1 OF 1				
2	BODY	BRASS	GOLD	1				CAD FILE					
1	DESCRIPTION							C:/242/242190.DWG			DWG. NO. 242190.DWG	REV. C	SIZE A