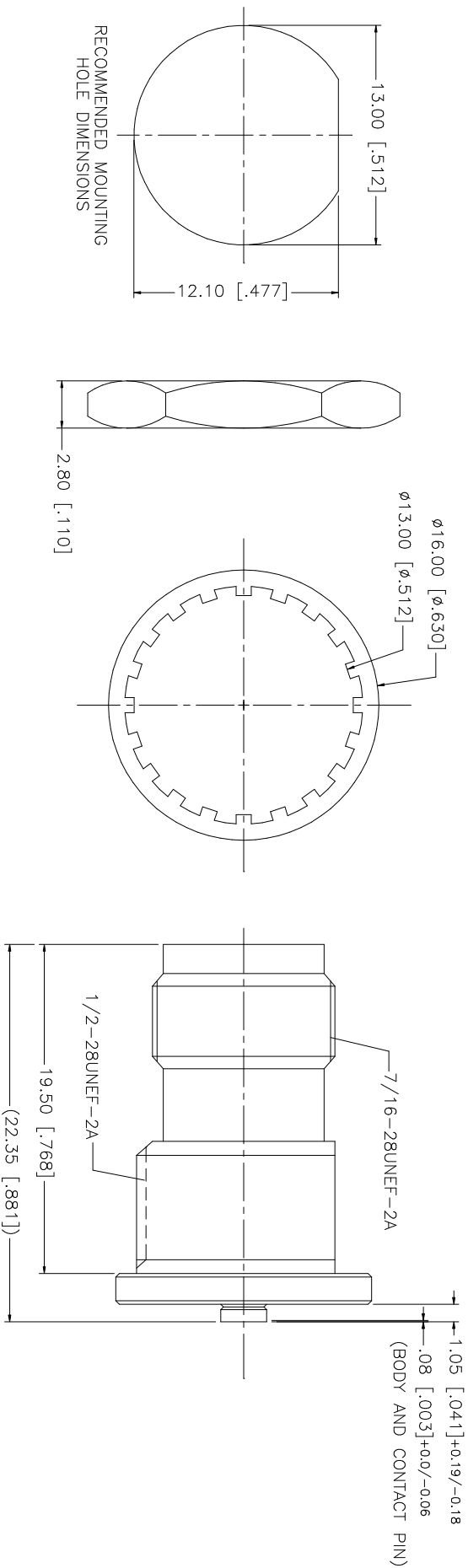


REV.	DATE	DESCRIPTION
A	04/06/04	MODIFY PART DESCRIPTION - REMOVE "REVERSE POLARITY"
B	05/26/06	REVISE PART DESCRIPTION TO "AMC" JACK



NOTES:  
1. MAX. PANEL THICKNESS = 5mm

**Amphenol Connex**

AMC JACK TO TNC JACK  
BULKHEAD ADAPTER

242192

REV.	DATE	DESCRIPTION	MATERIAL	FINISH	QTY
8					
7					
6					
5					
4					
3					
2					
1					
<p>UNLESS OTHERWISE SPECIFIED DIMENSIONS ARE INCHES AND FOR CUSTOMER REFERENCE ONLY. TOLERANCES FOR MILLIMETERS ARE: 0.5 - 8mm ± 0.20mm 8 - 30mm ± 0.40mm 30 - 120mm ± 0.50mm</p> <p>UNLESS OTHERWISE SPECIFIED DIMENSIONS FOR INCHES ARE: .020 - .315 = ± 0.007" .315 - 1.180 = ± 0.015" 1.180 - 4.724 = ± 0.020"</p> <p>DO NOT SCALE DRAWING</p>					
APPROVALS		DATE	PART DESCRIPTION		
DRAWN G.R.S.		05/26/06	AMC JACK TO TNC JACK		
CHECKED			BULKHEAD ADAPTER		
ISSUED					
SHEET 1 OF 1			PART NO. 242192		
CAD FILE C:/242/242192.DWG			DWG. NO. 242192.DWG		
			REV. B	SIZE A	SCALE NA