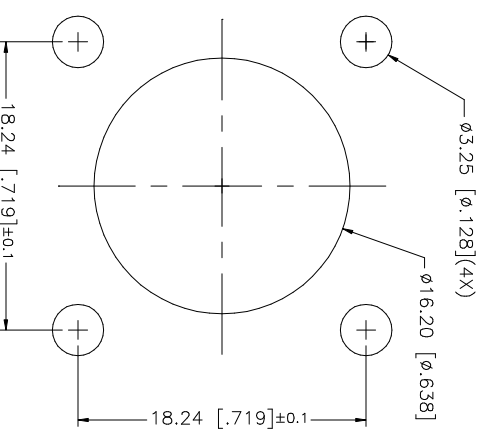
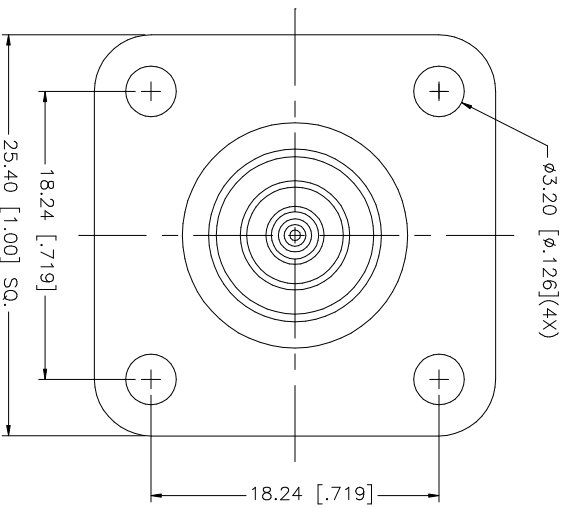
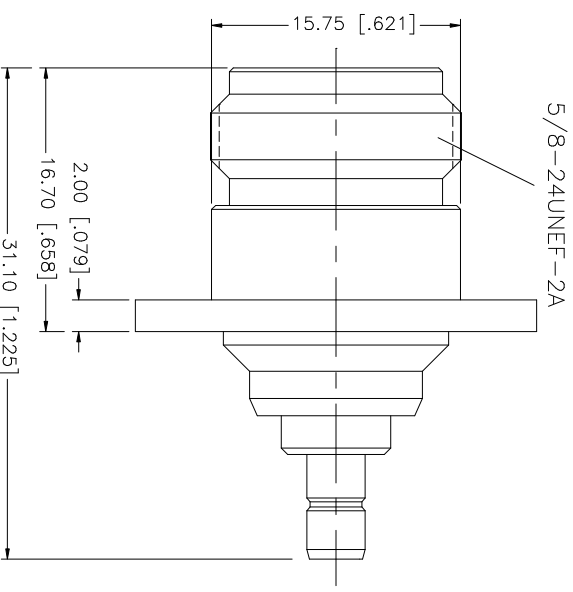


REV.	DATE	DESCRIPTION
NC	02/02/04	INITIAL RELEASE



DESCRIPTION	MATERIAL	FINISH	QTY
1 BODY	BRASS	NICKEL	1
2 INSULATOR	TEFLON	NATURAL	1
3 CONTACT PIN	PHOS. BRONZE	GOLD	1
4			
5			
6			
7			
8			

UNLESS OTHERWISE SPECIFIED DIMENSIONS ARE IN MILLIMETERS. DIMENSIONS IN [ ] ARE IN INCHES AND FOR CUSTOMER REFERENCE ONLY.  
 UNLESS OTHERWISE SPECIFIED TOLERANCES FOR MILLIMETERS ARE:  
 0.5 - 8mm ± 0.20mm  
 8 - 30mm ± 0.40mm  
 30 - 120mm ± 0.50mm  
 UNLESS OTHERWISE SPECIFIED TOLERANCES FOR INCHES ARE:  
 .020 - .315 = ± 0.002"  
 .315 - 1.180 = ± 0.015"  
 1.180 - 4.724 = ± 0.020"

APPROVALS	DATE
DRAWN G.R.S.	02/02/04
CHECKED	
ISSUED	
SHEET 1 OF 1	

**Amphenol Connex**

PART DESCRIPTION  
**N JACK TO SMB JACK PANEL ADAPTER**

PART NO. **242198**

CAD FILE C:/242/242198.DWG      DWG. NO. 242198      REV. NC      SIZE A      SCALE NA