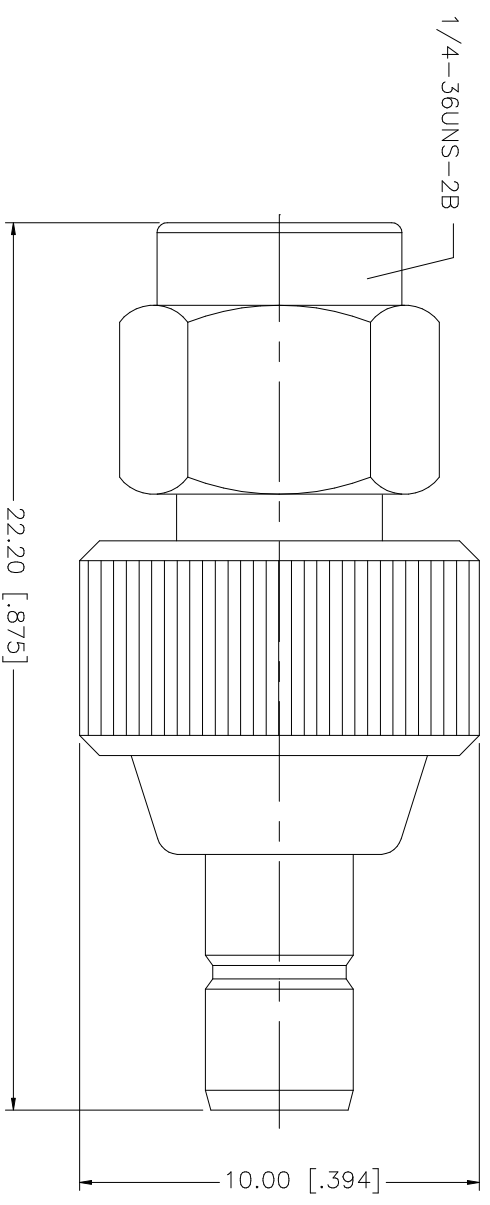


REV.	DATE	DESCRIPTION
NC	02/06/04	INITIAL RELEASE



NO.	DESCRIPTION	MATERIAL	FINISH	QTY	UNLESS OTHERWISE SPECIFIED DIMENSIONS ARE IN INCHES AND FOR CUSTOMER REFERENCE ONLY. TOLERANCES FOR MILLIMETERS ARE: 0.5 - 8mm ± 0.20mm 8 - 30mm ± 0.40mm 30 - 120mm ± 0.50mm UNLESS OTHERWISE SPECIFIED TOLERANCES FOR INCHES ARE: .020 - .315 = ± 0.007" .315 - 1.180 = ± 0.015" 1.180 - 4.724 = ± 0.020"	APPROVALS	DATE	PART DESCRIPTION
8					DO NOT SCALE DRAWING	DRAWN G.R.S.	02/06/04	<p style="text-align: center;">Amphenol Connex</p> <p style="text-align: center;">SMA PLUG TO SSMB JACK ADAPTER</p>
7						CHECKED		
6						ISSUED		
5						SHEET	1 OF 1	
4	CONTACT PIN	BRASS	GOLD	1				
3	INSULATOR	TEFLON	NATURAL	1				
2	BODY	BRASS	GOLD	1				
1	DESCRIPTION	MATERIAL	FINISH	QTY				

DWG. NO.	REV.	SIZE	SCALE
242200.DWG	NC	A	NA