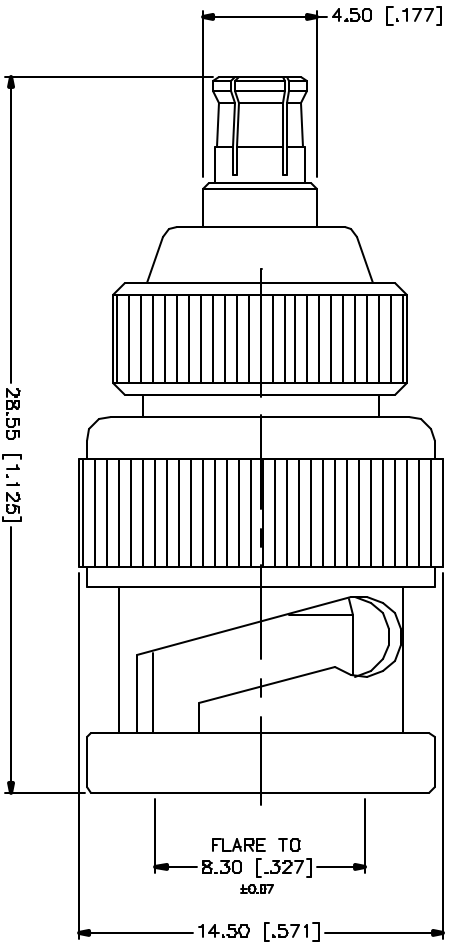


| REV. | DATE | DESCRIPTION |
|------|----------|-----------------------|
| NC | 06/16/04 | UPDATE DRAWING FORMAT |



| NO. | DESCRIPTION | MATERIAL | FINISH | QTY |
|-----|-------------|-------------|---------|-----|
| 8 | | | | |
| 7 | | | | |
| 6 | | | | |
| 5 | | | | |
| 4 | | | | |
| 3 | CONTACT PIN | BERL COPPER | GOLD | 1 |
| 2 | INSULATOR | TEFLON | NATURAL | 1 |
| 1 | BODY | BRASS | NICKEL | 1 |
| | DESCRIPTION | MATERIAL | FINISH | QTY |

| | | |
|--|-------------------------------|----------|
| UNLESS OTHERWISE SPECIFIED, DIMENSIONS ARE IN INCHES AND FRACTIONS THEREOF, DECIMALS AND PERCENTAGES THEREOF, UNLESS OTHERWISE SPECIFIED, DIMENSIONS ARE IN MILLIMETERS. | APPROVALS | DATE |
| TOLERANCES FOR DIMENSIONS ARE: 0/3 - 8/16 ± 0.20mm 8 - 30mm ± 0.40mm 30 - 120mm ± 0.50mm | DRAWN G.R.S. | 06/16/04 |
| UNLESS OTHERWISE SPECIFIED, DIMENSIONS FOR FINISH ARE: .020 - .315 ± 0.007" .315 - 1.180 ± 0.015" 1.180 - 4.724 ± 0.020" | CHECKED | |
| DO NOT SCALE DRAWINGS | ISSUED | |
| | SHEET 1 OF 1 | |
| | DWG FILE C:/242/242205.DWG | |

| | | | |
|------------|---------|------|-------|
| DWG. NO. | REV. NC | SIZE | SCALE |
| 242205.DWG | | A | NA |

| | |
|------------------------------|--------|
| PART DESCRIPTION | |
| BNC PLUG TO MCX PLUG ADAPTER | |
| PART NO. | 242205 |

Amphenol Connex