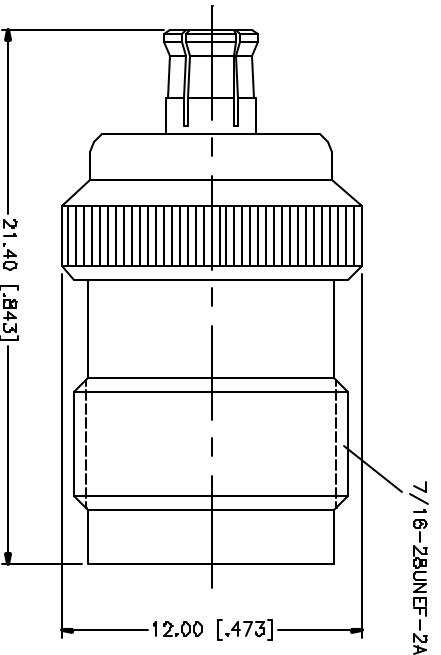


REV.	DATE	DESCRIPTION
NC	06/16/04	UPDATE DRAWING FORMAT



NO.	DESCRIPTION	MATERIAL	FINISH	QTY	UNLESS OTHERWISE SPECIFIED DIMENSIONS ARE IN MILLIMETERS, DIMENSIONS IN () ARE IN INCHES AND FOR DIMENSIONS REFERENCED ONLY. TOLERANCES FOR MILLIMETERS ARE: 0.5 - 30mm ± 0.20mm 30 - 120mm ± 0.30mm 120mm - 150mm ± 0.40mm UNLESS OTHERWISE SPECIFIED TOLERANCES FOR INCHES ARE: .0750 - .315 - ± 0.007" .315 - 1.180 - ± 0.015" 1.180 - 4.724 - ± 0.020"	DO NOT SCALE DRAWINGS	APPROVALS	DATE	PART DESCRIPTION	PART NO.	DWG. NO.	REV.	NC	SIZE	A	SCALE	NA
8									Amphenol Connex TNC JACK TO MCX PLUG ADAPTER 2422209	2422209DWG	REV	NC	SIZE	A	SCALE	NA	
7																	
6																	
5																	
4																	
3	CONTACT PIN	PHOS. BRONZE	GOLD	1													
2	INSULATOR BODY	TEFLON BER. COPPER	NATURAL NICKEL	1 1													
1	DESCRIPTION	MATERIAL	FINISH	QTY													