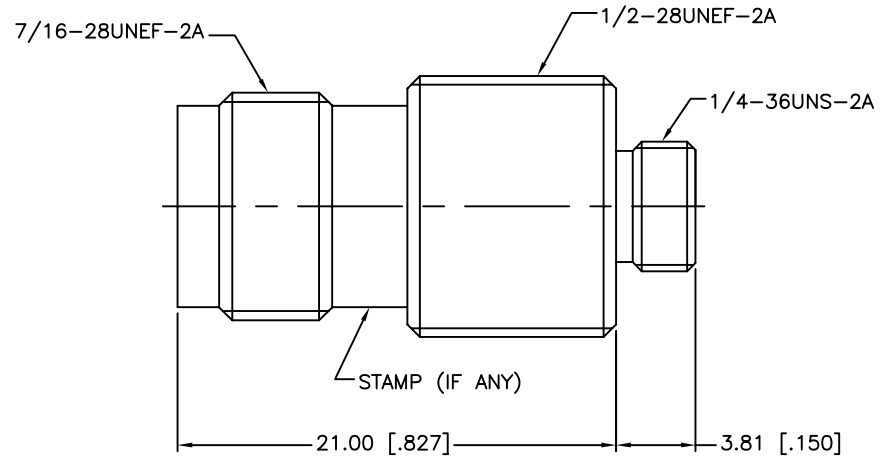
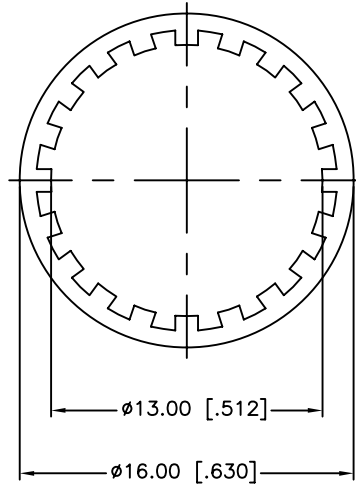
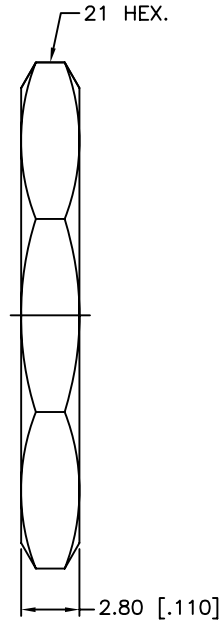


| REV. | DATE     | ECR NO. | DESCRIPTION     |
|------|----------|---------|-----------------|
| NC   | 04/13/09 | XXXXXX  | INITIAL RELEASE |



1. MAX. PANEL THICKNESS=6mm

| 7           | HEX NUT     | BRASS       | NICKEL  | 1 |
|-------------|-------------|-------------|---------|---|
| 6           | LOCK WASHER | BRASS       | NICKEL  | 1 |
| 5           | LOCK RING   | BRASS       | NICKEL  | 1 |
| 4           | CONTACT PIN | BER. COPPER | GOLD    | 1 |
| 3           | INSULATOR   | PTFE        | NATURAL | 1 |
| 2           | INSULATOR   | PTFE        | NATURAL | 1 |
| 1           | BODY        | BRASS       | NICKEL  | 1 |
| DESCRIPTION | MATERIAL    | FINISH      | QTY     |   |

UNLESS OTHERWISE SPECIFIED DIMENSIONS ARE IN MILLIMETERS. DIMENSIONS IN [ ] ARE IN INCHES AND FOR CUSTOMER REFERENCE ONLY.

UNLESS OTHERWISE SPECIFIED TOLERANCES FOR MILLIMETERS ARE:  
0.5 - 8mm  $\pm$  0.20mm  
8 - 30mm  $\pm$  0.40mm  
30 - 120mm  $\pm$  0.50mm

UNLESS OTHERWISE SPECIFIED TOLERANCES FOR INCHES ARE:  
.020 - .315 =  $\pm$  0.007"  
.315 - 1.180 =  $\pm$  0.015"  
1.180 - 4.724 =  $\pm$  0.020"

DO NOT SCALE DRAWING

| APPROVALS     | DATE                 |
|---------------|----------------------|
| DRAWN M.ZHANG | 04/13/09             |
| CHECKED       |                      |
| ISSUED        |                      |
| SHEET 1 OF 1  |                      |
| CAD FILE      | C:/CONNEX/242211.DWG |

|  |            |       |    |
|--|------------|-------|----|
| <h1>Amphenol Connex</h1>   |            |       |    |
| PART DESCRIPTION<br><b>TNC BULKHEAD JACK TO MCX JACK ADAPTOR</b> |            |       |    |
| PART NO.<br><b>242211</b>  |            |       |    |
| DWG. NO.   | 242211.DWG | REV.  | NC |
| SIZE   | A          | SCALE | NA |