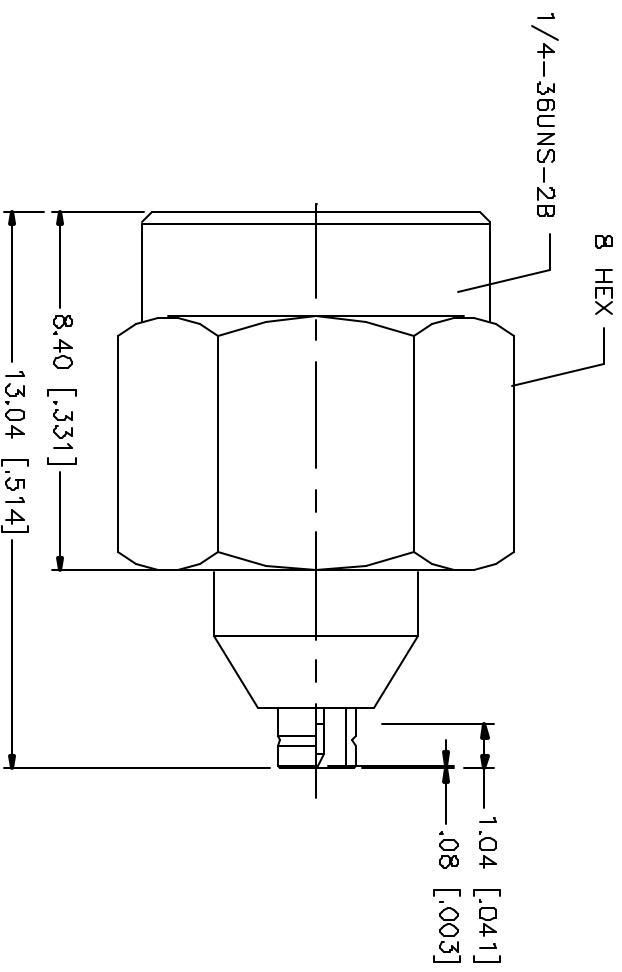


REV.	DATE	DESCRIPTION
A	10/03/04	MODIFY BODY



REV.	DATE	DESCRIPTION	MATERIAL	FINISH	QTY
B					
7					
6					
5					
4					
3			BRASS	GOLD	1
2			TEFLON	NATURAL	1
1			BRASS	GOLD	1
		DESCRIPTION			

<b>AMPLHENOL CONNEX</b> SMA PLUG WITH AMC JACK ADAPTER PART NO. 242212		APPROVALS DRAWN G.R.S. CHECKED ISSUED SHEET 1 OF 1	DATE 10/03/04
CAD FILE C:/242/242212.DWG		DWG. NO. 242212.DWG	
REV.	A	SIZE	A
SCALE	NA		

MASS FINISHES: POLISHED, MIRROR, ANNEAL, BLACK, BLUE, GREEN, RED, SILVER, WHITE, YELLOW, AND ZINC PLATE. DIMENSIONS FOR MILLING AND TURNING: OTHERWISE SPECIFIED. DIMS - 8mm ± 0.10mm DIMS - 30mm ± 0.40mm DIMS - 120mm ± 0.50mm MASS DIMENSIONS: SPECIFIED TOLERANCES FOR MACHINING. .020 - .315 = ± 0.007" .315 - 1.180 = ± 0.015" 1.180 - 4.724 = ± 0.020"	DO NOT SCALE DRAWING
---	----------------------