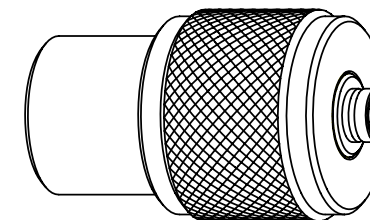


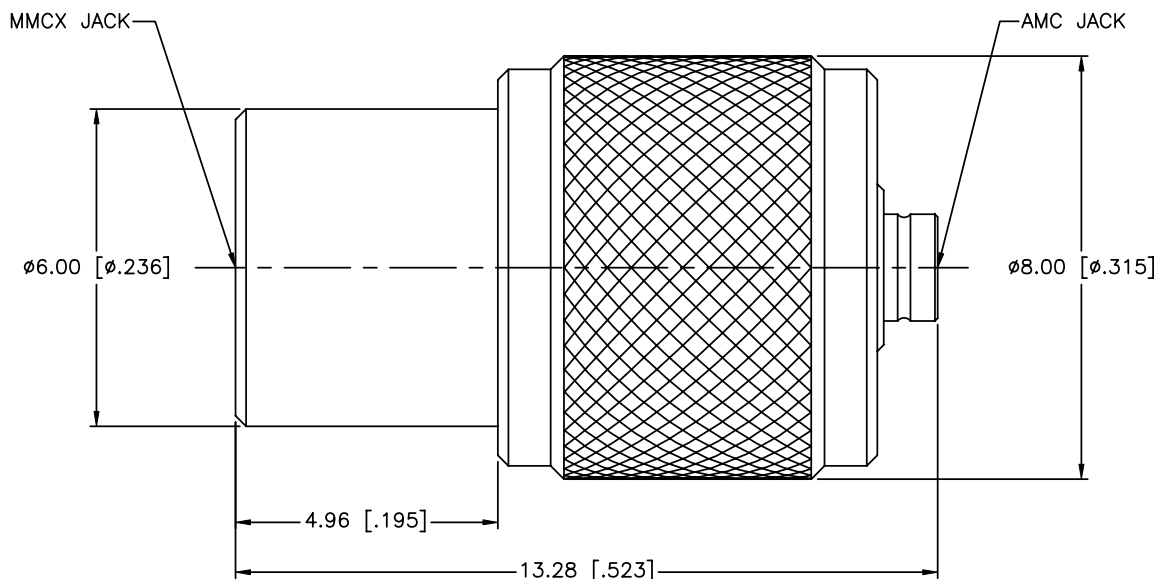
NOTES

- 1. ELECTRICAL:
 - A. IMPEDANCE: 50 OHM
 - B. FREQUENCY RANGE: DC TO 6 GHz
 - C. VSWR: 1.4 MAX. @ DC TO 6 GHz
- 2. MECHANICAL:
 - A. DURABILITY: 500 CYCLES MIN. (MMCX SIDE)
100 CYCLES MIN. (AMC SIDE)
 - B. TEMPERATURE RANGE: -65°C to +165°C

REV.	DATE	ECR NO.	DESCRIPTION
NC	07/22/13	XXXXXX	INITIAL RELEASE



SCALE 0.500



UNLESS OTHERWISE SPECIFIED DIMENSIONS ARE IN MILLIMETERS. DIMENSIONS IN [] ARE IN INCHES AND FOR CUSTOMER REFERENCE ONLY.
 UNLESS OTHERWISE SPECIFIED TOLERANCES FOR MILLIMETERS ARE:
 <0.5 ± 0.05mm
 0.5 - 6mm ± 0.10mm
 6 - 30mm ± 0.20mm
 30 - 120mm ± 0.30mm
 ANGLES ± 1°
 UNLESS OTHERWISE SPECIFIED TOLERANCES FOR INCHES ARE:
 <.020 ± 0.002"
 .020 - .236 = ± 0.004"
 .236 - 1.180 = ± 0.007"
 1.180 - 4.724 = ± 0.012"
 ANGLES ± 1°
 DO NOT SCALE DRAWING

APPROVALS		DATE
DRAWN	T.DENG	07/22/13
CHECKED		
ISSUED		
SHEET	1 OF 1	
CAD FILE		C:/CONNEX/242225.DWG

Amphenol Connex

PART DESCRIPTION	
AMC JACK TO MMCX JACK ADAPTOR	
PART NO. 242225	
DWG. NO. 242225.DWG	REV. NC SIZE A SCALE NA

QTY	FINISH	MATERIAL	DESCRIPTION
1	GOLD	BER. COPPER	CONTACT PIN
1	NATURAL	PTFE	INSULATOR
2	NICKEL	BRASS	BODY