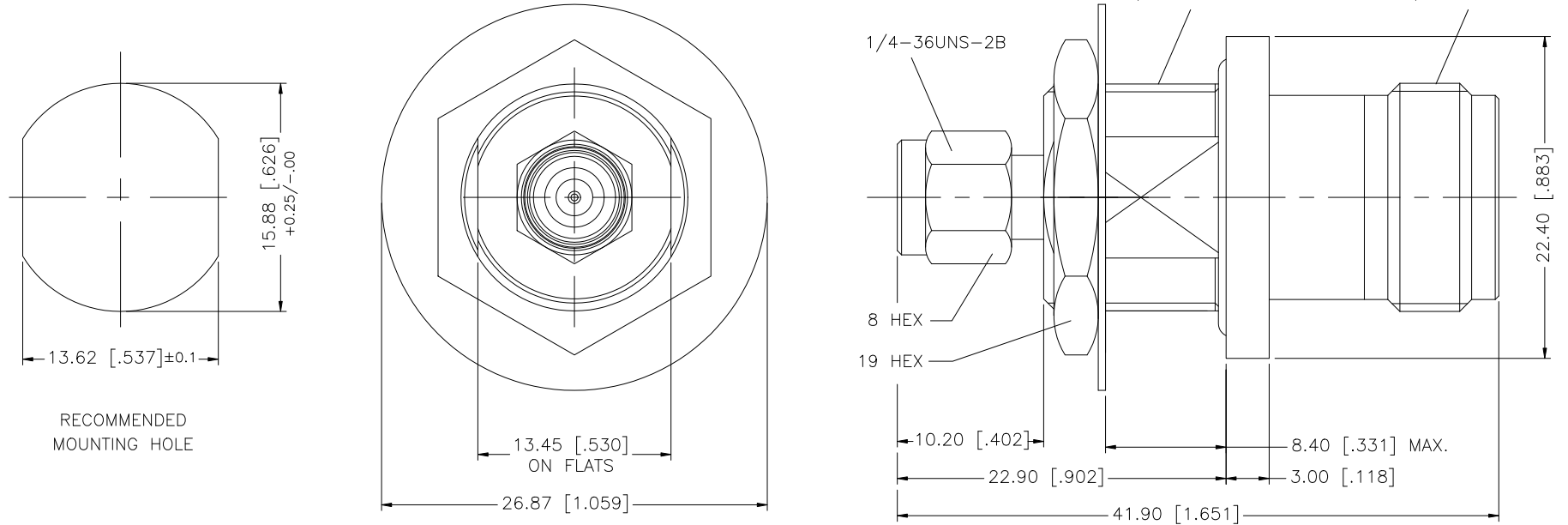


REV.	DATE	ECR NO.	DESCRIPTION
NC	05/25/08	100020	INITIAL RELEASE
A	12/08/08	-	REVISE TO CORRECT BODY STYLE



8				
7				
6	HEX NUT	BRASS	NEXCOTE	1
5	LOCK WASHER	BRASS	NEXCOTE	1
4	GASKET	SILICONE	BLACK	1
3	CONTACT PIN	PHOS. BRONZE	GOLD	1
2	INSULATOR	PTFE	NATURAL	1
1	BODY	BRASS	NEXCOTE	1
	DESCRIPTION	MATERIAL	FINISH	QTY

UNLESS OTHERWISE SPECIFIED DIMENSIONS ARE IN MILLIMETERS. DIMENSIONS IN [] ARE IN INCHES AND FOR CUSTOMER REFERENCE ONLY.

UNLESS OTHERWISE SPECIFIED TOLERANCES FOR MILLIMETERS ARE:
0.5 - 8mm ± 0.20mm
8 - 30mm ± 0.40mm
30 - 120mm ± 0.50mm

UNLESS OTHERWISE SPECIFIED TOLERANCES FOR INCHES ARE:
.020 - .315 = ± 0.007"
.315 - 1.180 = ± 0.015"
1.180 - 4.724 = ± 0.020"

DO NOT SCALE DRAWING

APPROVALS	DATE
DRAWN GRS	12/08/08
CHECKED	
ISSUED	
SHEET 1 OF 1	
CAD FILE	C:/242/242235.DWG

<h1>Amphenol Connex</h1>				
PART DESCRIPTION				
SMA MALE TO N FEMALE BULKHEAD ADAPTER				
PART NO. 242235				
DWG. NO.	242235.DWG	REV.	A	SCALE NA