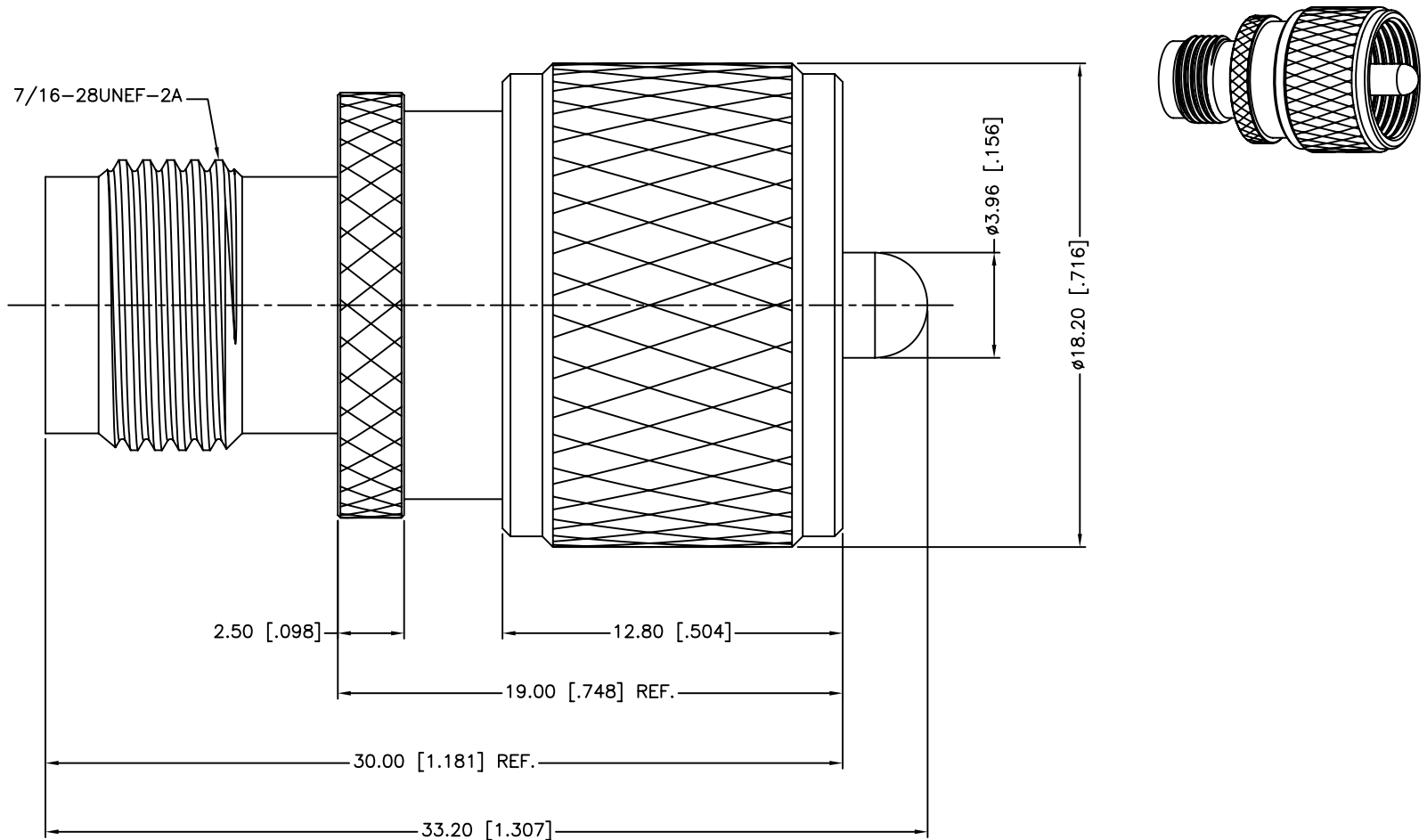


REV.	DATE	ECR NO.	DESCRIPTION
NC	03/15/10	XXXXXX	INITIAL RELEASE
A	07/12/13	2496	UPDATE DRAWING FORMAT, ADD ELECTRICAL & MECHANICAL NOTES



1. IMPEDANCE: 50 OHM
2. FREQUENCY RANGE: 0-200 MHZ
3. VSWR: 1.3 MAX.
4. DIELECTRIC WITHSTANDING VOLTAGE: 1000 VRMS, MIN.
5. DURABILITY: 500 CYCLES MIN.
6. TEMPERATURE RANGE: -55°C TO +85°C

QTY	FINISH	MATERIAL	DESCRIPTION
1	NICKEL	BRASS	RETAINER RING
1	NICKEL	BRASS	SHELL
1	GOLD	BRASS	CONTACT PIN
1	GOLD	PHOSPHOR BRONZE	CONTACT PIN
1	NATURAL	PTFE	INSULATOR
1	NICKEL	BRASS	BODY

UNLESS OTHERWISE SPECIFIED DIMENSIONS ARE IN MILLIMETERS. DIMENSIONS IN [] ARE IN INCHES AND FOR CUSTOMER REFERENCE ONLY.
 UNLESS OTHERWISE SPECIFIED
 TOLERANCES FOR MILLIMETERS ARE:
 <0.5 ± 0.05mm
 0.5 - 6mm ± 0.10mm
 6 - 30mm ± 0.20mm
 30 - 120mm ± 0.30mm
 ANGLES ± 1°
 UNLESS OTHERWISE SPECIFIED
 TOLERANCES FOR INCHES ARE:
 <.020 ± 0.002"
 .020 - .236 ± 0.004"
 .236 - 1.180 ± 0.007"
 1.180 - 4.724 ± 0.012"
 ANGLES ± 1°
 DO NOT SCALE DRAWING

APPROVALS	DATE
DRAWN M.ZHANG	07/12/13
CHECKED	
ISSUED	
SHEET 1 OF 1	
CAD FILE	C:/CONNEX/242241.DWG

Amphenol Connex			
PART DESCRIPTION UHF MALE TO TNC FEMALE ADAPTOR (50 OHM)			
PART NO. 242241			
DWG. NO.	242241.DWG	REV.	A
SIZE	A	SCALE	NA